

# Part 2

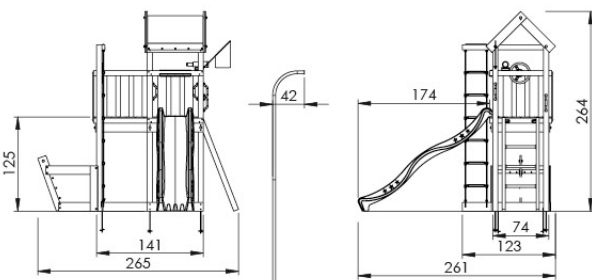
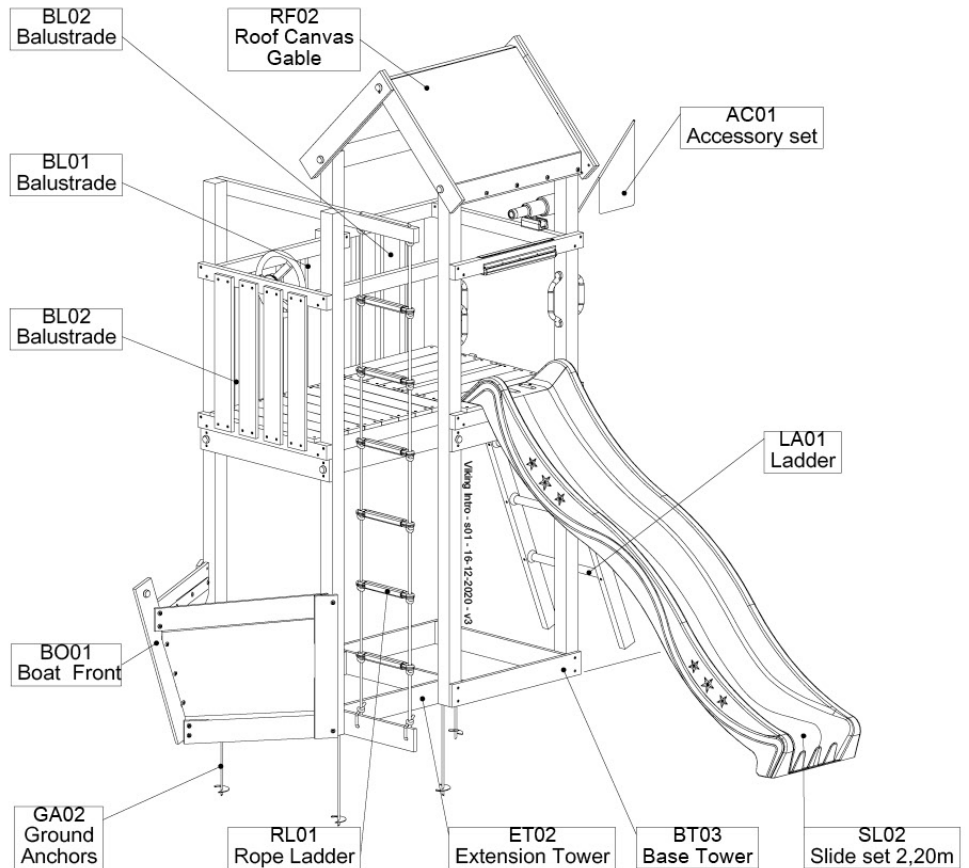
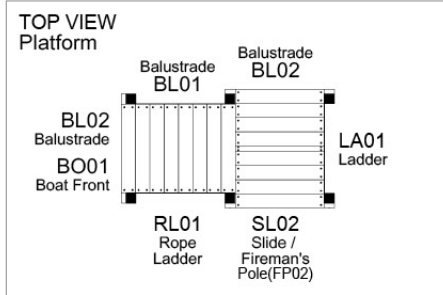
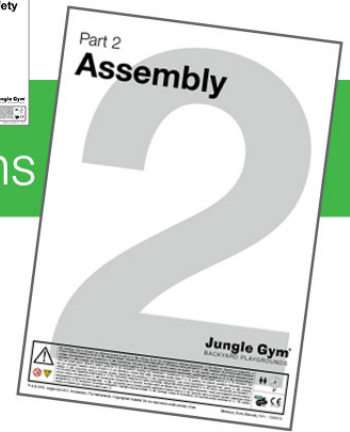
# Assembly

# Jungle Viking

803\_206



Instructions



# Jungle Gym

BACKYARD PLAYGROUNDS

since 1988



**EN.** Warnings. Only for domestic use. Maximum number of users is 6. **DE.** Achtung. Nur für den Hausgebrauch. Maximale Benutzerzahl: 6. **FR.** Attention. Réserve à un usage familial. Le nombre maximal d'utilisateurs est de 6. **NL.** Waarschuwingen. Uitsluitend voor huishoudelijk gebruik. Het maximale aantal gebruikers is 6. **BG.** Внимание. За употреба само в домашни условия. Максималният брой потребители е 6. **CS.** Varování. Jen pro domácí použití. Maximální počet uživatelů je 6. **DA.** Advarsel. Kun til privat brug. Maksimum antal brugere er 6. **EL.** Προειδοποίηση. Μόνο για οικιακή χρήση. Μέγιστος αριθμός χρηστών 6. **ES.** Advertencias. Solo para uso doméstico. Número máximo de usuarios: 6. **ET.** Holatused. Ainult koduseks kasutamiseks. Maksimaalne kasutajate arv on 6. **FI.** Varoitukset. Ainoastaan kotikäyttöön. Käyttäjää yhteensä enintään 6. **HR.** Upozorenja. Samo za kućansku uporabu. Maksimalan broj korisnika je 6. **HU.** Figyelmeztetések. Csak otthoni használatra! A használók max. száma: 6. **IS.** Varnaðarorð. Engöngu fyrir einkanoðkun í heimahúsum og á einkalóðum. Hámarksfjöldi notenda er 6. **IT.** Avvertenze. Solo per uso domestico. Massimo numero di utenti è 6. **LT.** Įspėjimai. Tik buitnam naudojimui. Maksimalus naudotojų skaičius 6. **LV.** Brīdinājumi. Izmantoj tikai mājās. Maksimālais lietotāju skaits ir 6. **NO.** Advarsel. Kun for privat bruk. Maksimalt antall brukere er 6. **PL.** Ostrzeżenia. Wyłącznie do użytku domowego. Maksymalna liczba użytkowników to 6. **PT.** Avisos. Apenas para uso doméstico. O número máximo de utilizadores é 6. **RO.** Avertismente. Numai pentru uz domestic. Numărul maxim de utilizatori este 6. **RU.** Предостережения. Только для домашнего использования. Максимальное количество пользователей - 6. **SK.** Upozornenia. Iba na domáce použitie. Maximálne množstvo osôb je 6. **SL.** Opozorila. Samo za domačo uporabo. Maksimalno število uporabnikov je 6. **SR.** Upozorenja. Samo za kućnu upotrebu. Maksimalan broj korisnika je 6. **SV.** Varningar. Endast för hemmabruk. Det maximala antalet användare är 6. **TR.** Uyarılar. Sadece ev kullanımı için. Maksimum kullanıcı sayısı 6.



# 01 What's in the Delivery?

403\_206

|  |   |   |  |  |
|--|---|---|--|--|
| <p>1x 040_805<br/>1x 040_077</p> <p>Part 1 General Safety<br/>Part 2 Assembly</p>  | <p>1x 022_300<br/>1x 122_302<br/>1x 022_800</p> | <p>1x 120_024<br/>1x 103_901</p> <p>Jungle Gym<br/>BACKWARD PLAYGROUNDS</p> | <p>6x 022_52x</p>                              | <p>2x 120_102<br/>4x 022_820<br/>8x 001_104</p>  |
| <p>1x 020_308</p> <p>7,60 m</p>  | <p>4x 007_001</p>                               | <p>3x 005_03x<br/>6x 022_835<br/>2x 005_522</p>                             | <p>1x 123_200</p>                              | <p>1x 100_605<br/>1x 100_606<br/>1x 100_612<br/>1x 100_613<br/>1x 100_617<br/>1x 100_903<br/>2x 100_600<br/>3x 100_601</p> |
| <p>1x 104_107</p> <p>008_015<br/>008_019<br/>008_023<br/>008_031<br/>008_028<br/>008_029<br/>008_025</p> <p>24.5<br/>ø24.5 mm<br/>ø10 mm<br/>ø6 mm<br/>ø3.5 mm<br/>T40<br/>T25</p> | <p>1x 008_011</p>                               | <p>1x 022_910</p>   | <p>2x 123_220</p> <p>73,5 cm</p> <p>Canvas</p> | <p>1x 201_275<br/>1x 324_x00</p> <p>FMP / Slide</p>  |

# 02 Hardware

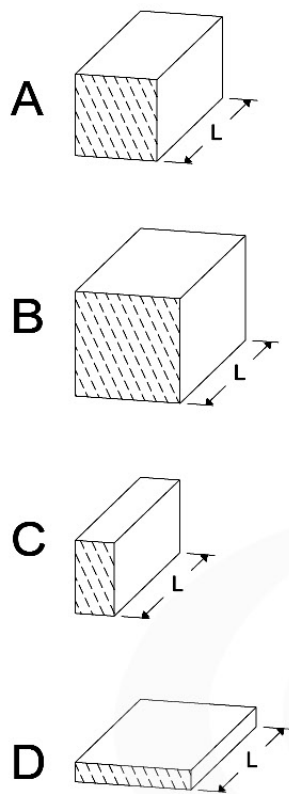
Total HWP 100\_xxx Jungle Viking

20210930

|                            |                    |                           |                  |
|----------------------------|--------------------|---------------------------|------------------|
| <p>001_417 <b>7x</b></p>   | <p>ø8 x 80mm</p>   | <p>000_101 <b>10x</b></p> | <p>ø2 x 20mm</p> |
| <p>001_406 <b>13x</b></p>  | <p>ø8 x 45mm</p>   | <p>023_031 <b>50x</b></p> | <p>ø5mm</p>      |
| <p>001_404 <b>4x</b></p>   | <p>ø8 x 30mm</p>   | <p>120_005 <b>16x</b></p> | <p>M8</p>        |
| <p>002_223 <b>66x</b></p>  | <p>ø5 x 80mm</p>   |                           |                  |
| <p>002_220 <b>223x</b></p> | <p>ø5 x 45mm</p>   |                           |                  |
| <p>002_219 <b>26x</b></p>  | <p>ø5 x 30mm</p>   |                           |                  |
| <p>002_308 <b>40x</b></p>  | <p>ø5.0 x 20mm</p> |                           |                  |
| <p>002_041 <b>3x</b></p>   | <p>ø4.5 x 20mm</p> |                           |                  |
| <p>002_042 <b>4x</b></p>   | <p>ø3.5 x 13mm</p> |                           |                  |

# 03 Timber

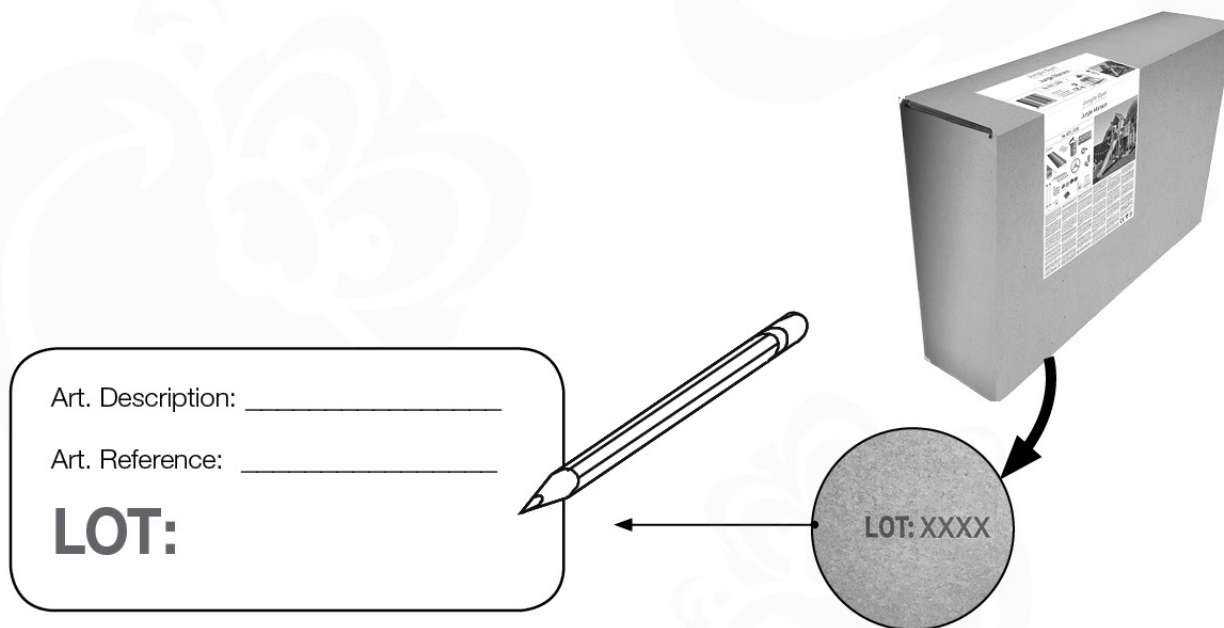
603\_206 Jungle Viking



|                                 | <b>L</b>  |   |
|---------------------------------|---|---|
| A220                            | 219cm - 220cm   | <b>6 x</b>  |
| -                               | -   | -   |
| C130<br>C114<br>C74             | 129cm - 130cm<br>113cm - 114cm<br>73cm - 74cm                           | <b>2 x</b><br><b>1 x</b><br><b>14 x</b>                               |
| D74<br>D65<br>D60<br>D56<br>D47 | 73cm - 74cm<br>64cm - 65cm<br>59cm - 60cm<br>53cm - 56cm<br>46cm - 47cm | <b>19 x</b><br><b>16 x</b><br><b>23 x</b><br><b>2 x</b><br><b>1 x</b> |

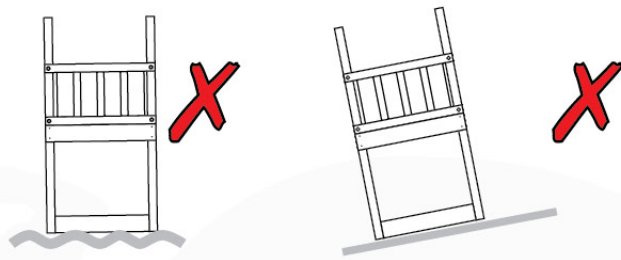
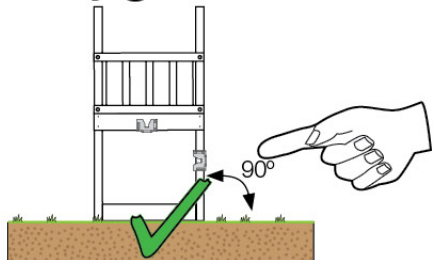
output: 01/10/21

# 04 Product ID

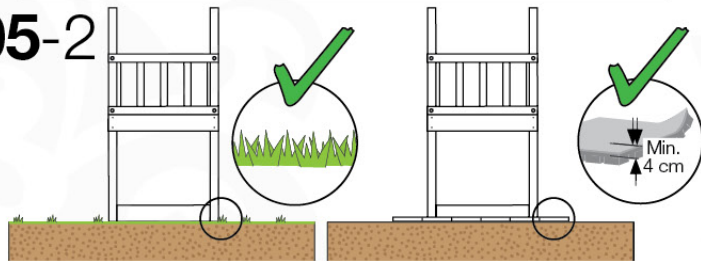


# 05 Safe Playground Planning

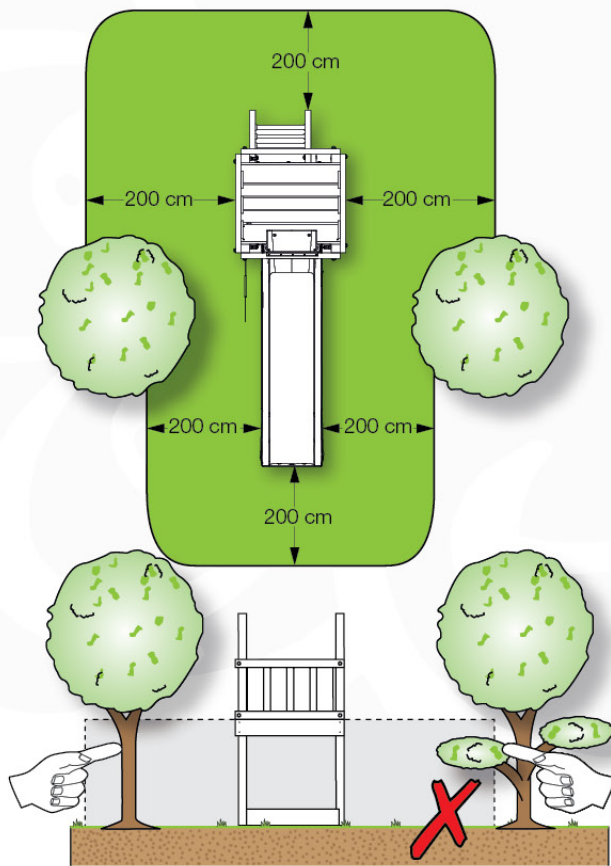
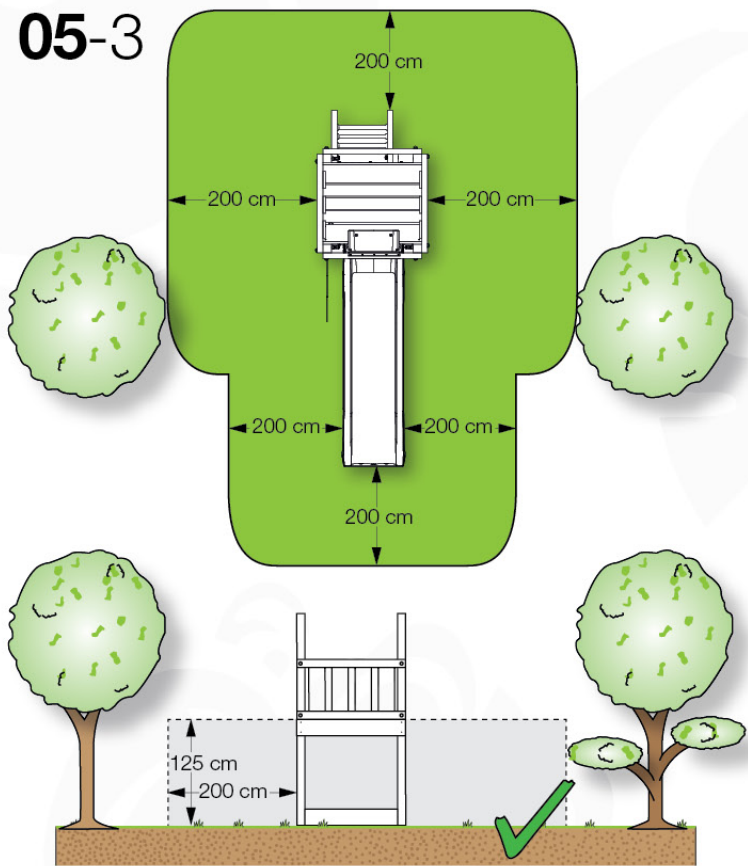
## 05-1



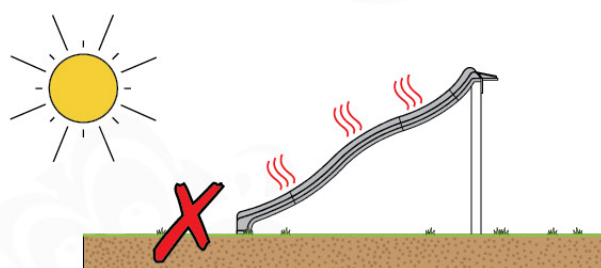
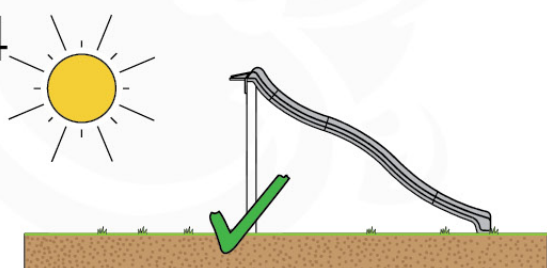
## 05-2



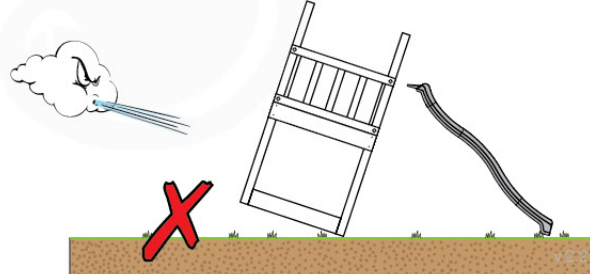
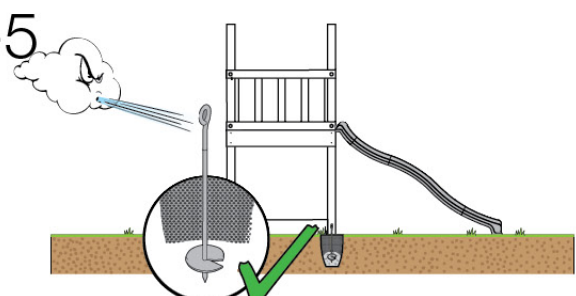
## 05-3



## 05-4



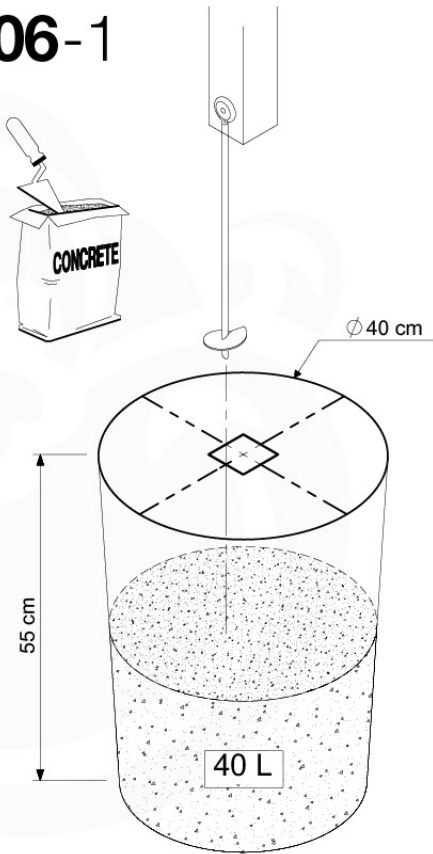
## 05-5



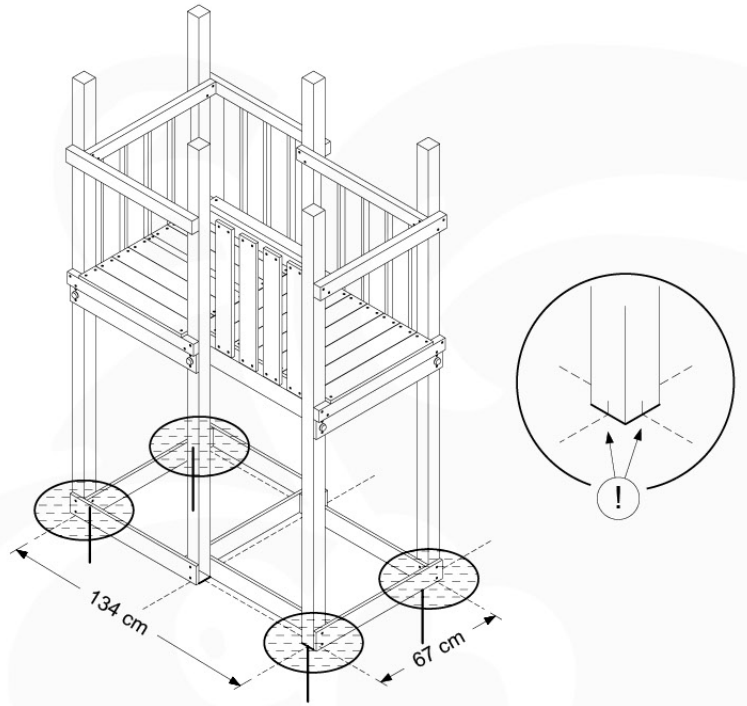
# 06 Playground Foundation

FD02

## 06-1



Foundation Plan - P03 - 2711-2020 - v8



1st Foundation Plan v8

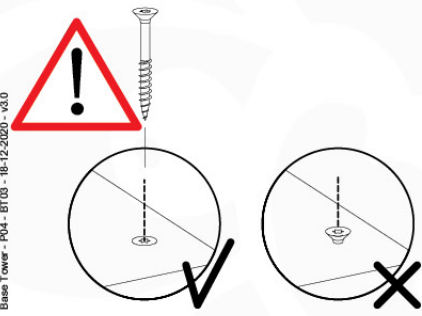
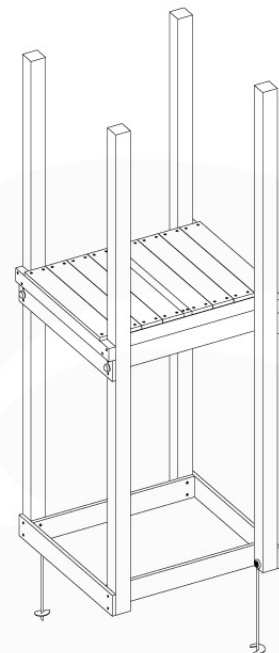
# 07 Base Tower

BT03

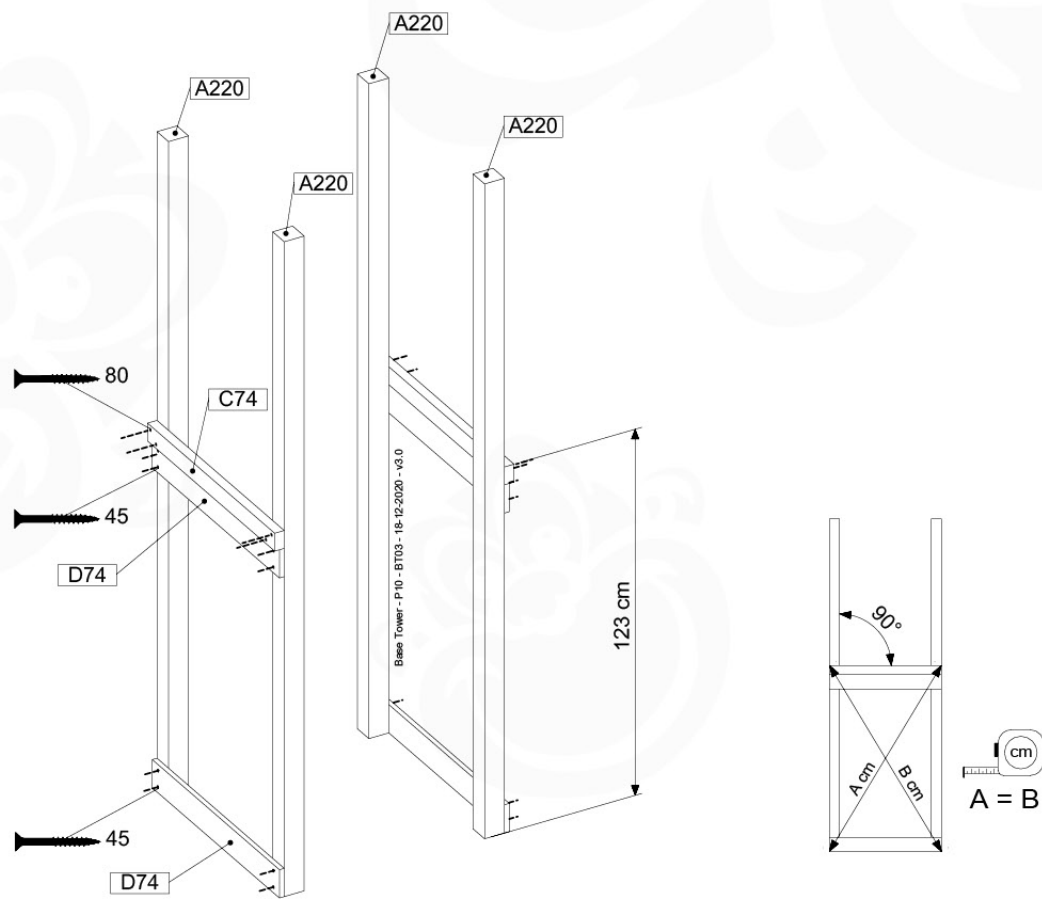
( 194\_100 )

|                          | PartNo  | PartName                   | QTY. |
|--------------------------|---------|----------------------------|------|
| Hardware Pack<br>100_600 | 001_406 | Stealth Screw 8x45         | 6    |
|                          | 002_220 | Gap Point Screw T25 - 5x45 | 72   |
|                          | 002_223 | Gap Point Screw T25 - 5x80 | 16   |
| Other                    | 007_001 | Ground-anchor              | 2    |
| Hardware Pack<br>100_600 | 022_31x | bpc-base version 3         | 4    |
|                          | 022_84x | bpc cover                  | 4    |
| Wood                     | A220    | Post 70x70 L2200           | 4    |
|                          | C74     | Beam 740 mm                | 4    |
|                          | D60     | Board 600 mm               | 10   |
|                          | D74     | Board 740 mm               | 8    |

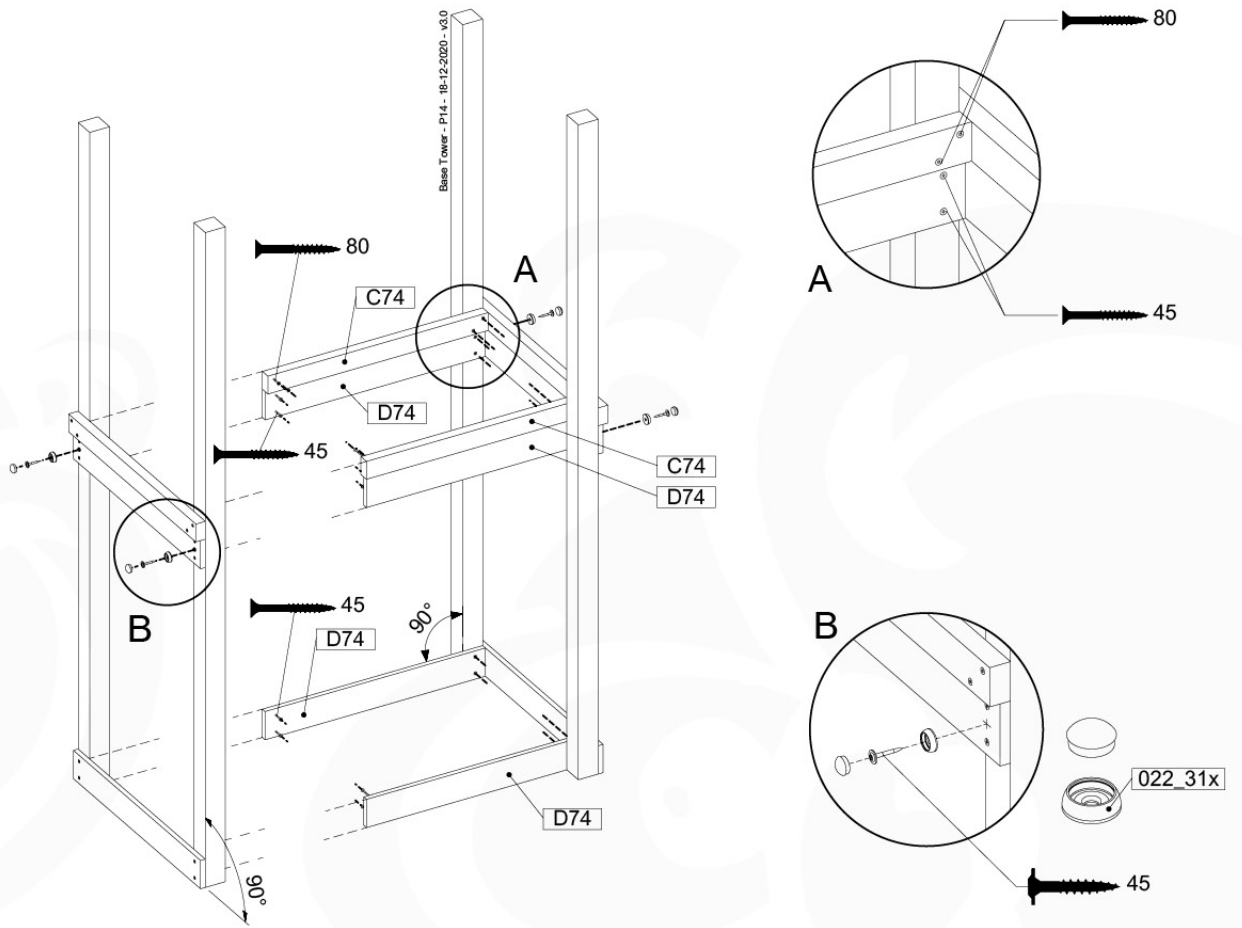
Base Tower - P04 - BT03 - 18-12-2020 - v3.0



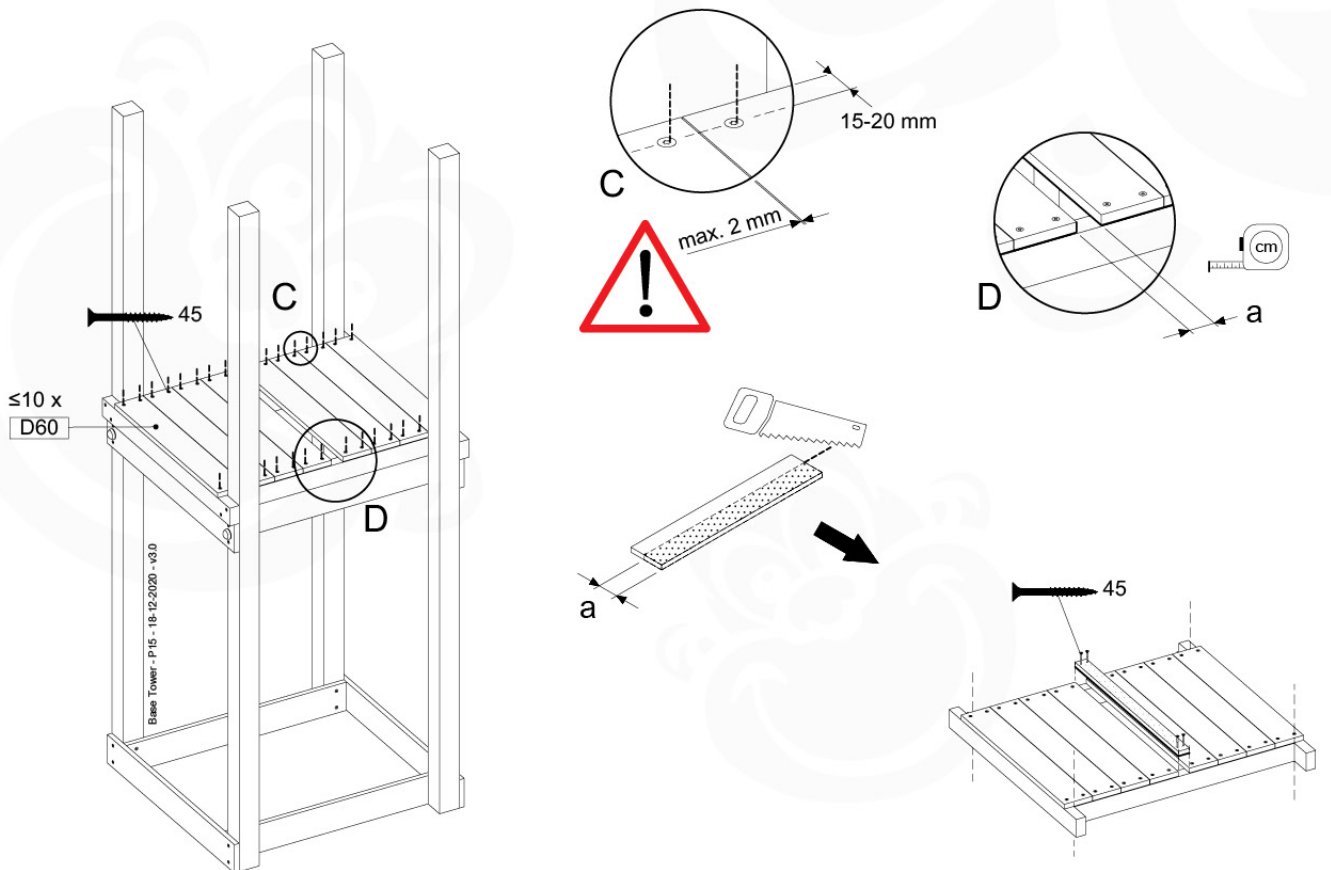
## 07-1



# 07-2



# 07-3



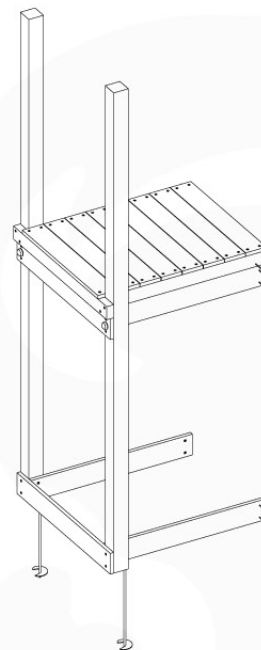
# 08 Extension Tower

ET02

( 194\_100 )

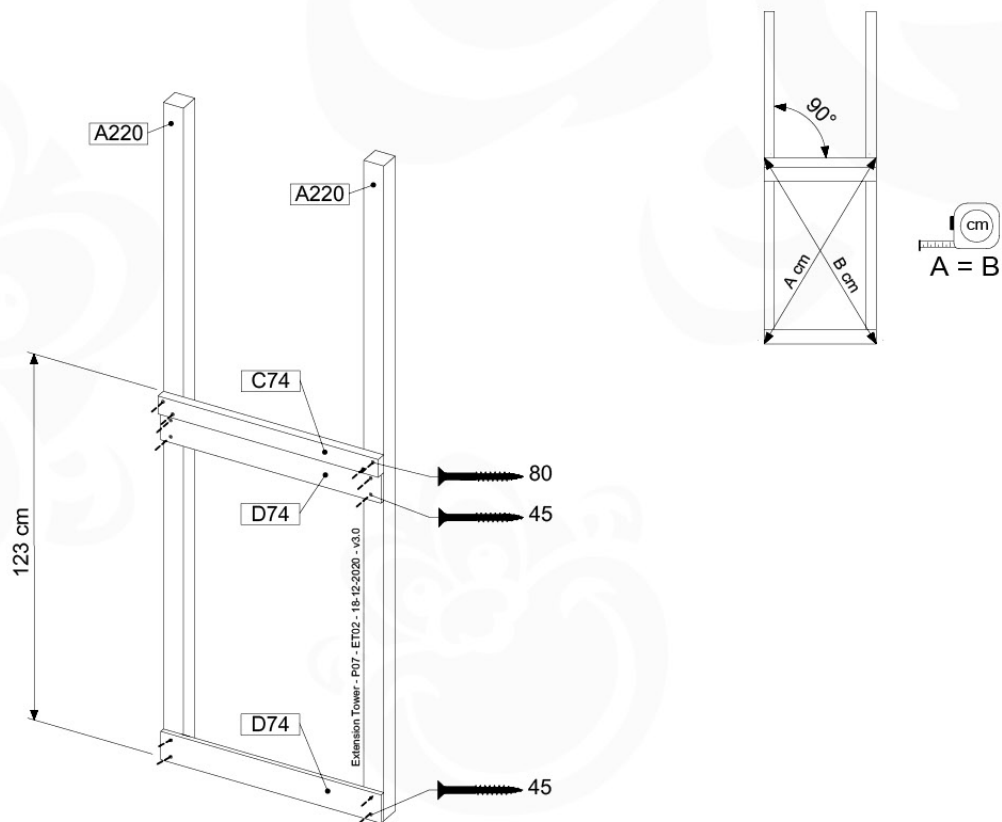
|                          | PartNo  | PartName                   | QTY. |
|--------------------------|---------|----------------------------|------|
| Hardware Pack<br>100_600 | 001_406 | Stealth Screw 8x45         | 4    |
|                          | 002_220 | Gap Point Screw T25 - 5x45 | 60   |
|                          | 002_223 | Gap Point Screw T25 - 5x80 | 12   |
| Other                    | 007_001 | Ground-anchor              | 2    |
| Hardware Pack<br>100_600 | 022_31x | bpc-base version 3         | 2    |
|                          | 022_84x | bpc cover                  | 2    |
| Wood                     | A220    | Post 70x70 L2200           | 2    |
|                          | C74     | Beam 740 mm                | 3    |
|                          | D60     | Board 600 mm               | 9    |
|                          | D74     | Board 740 mm               | 6    |

Extension Tower - P03 - ET02 - 18-12-2020 - v3.0



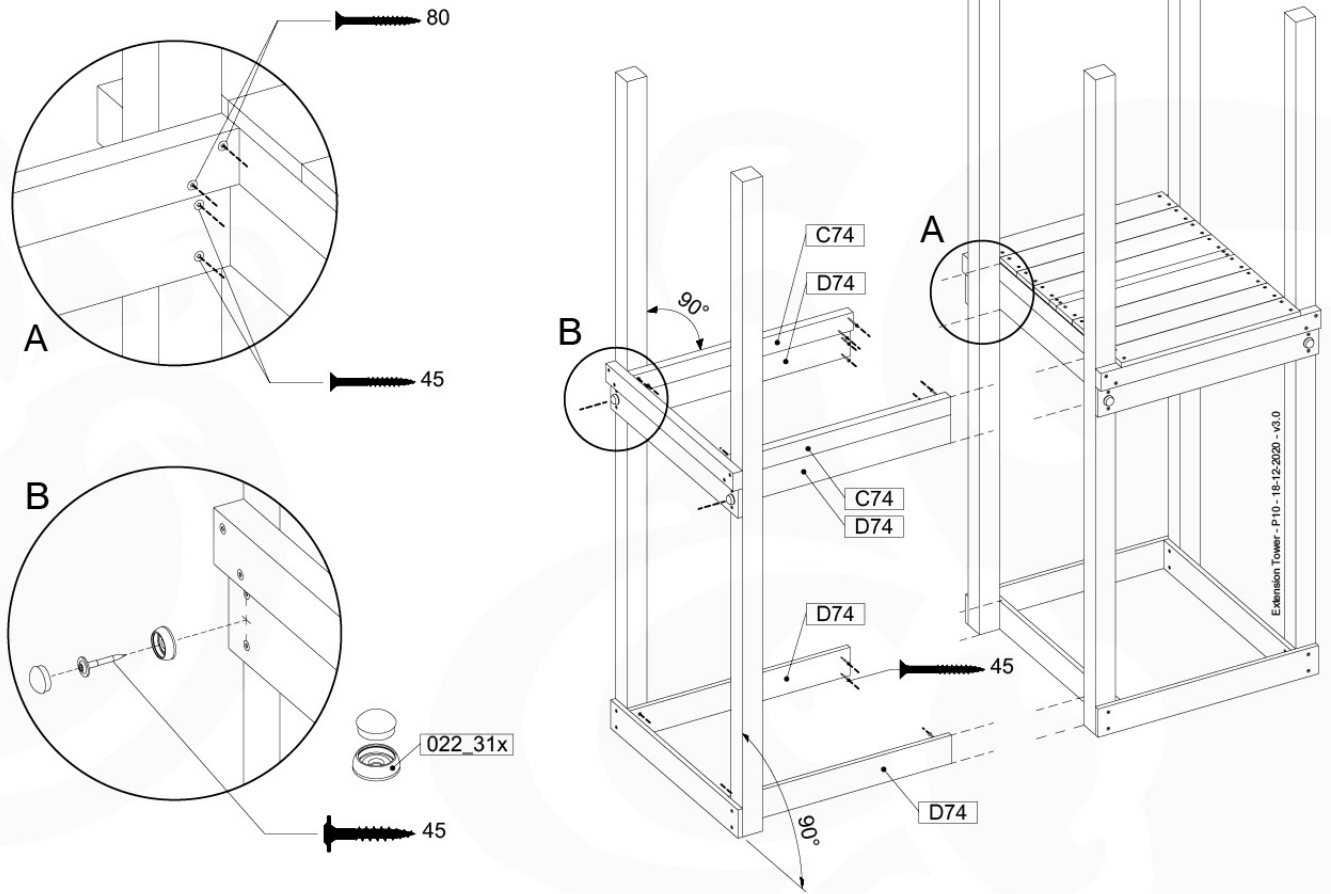
www.junglegym.com

## 08-1

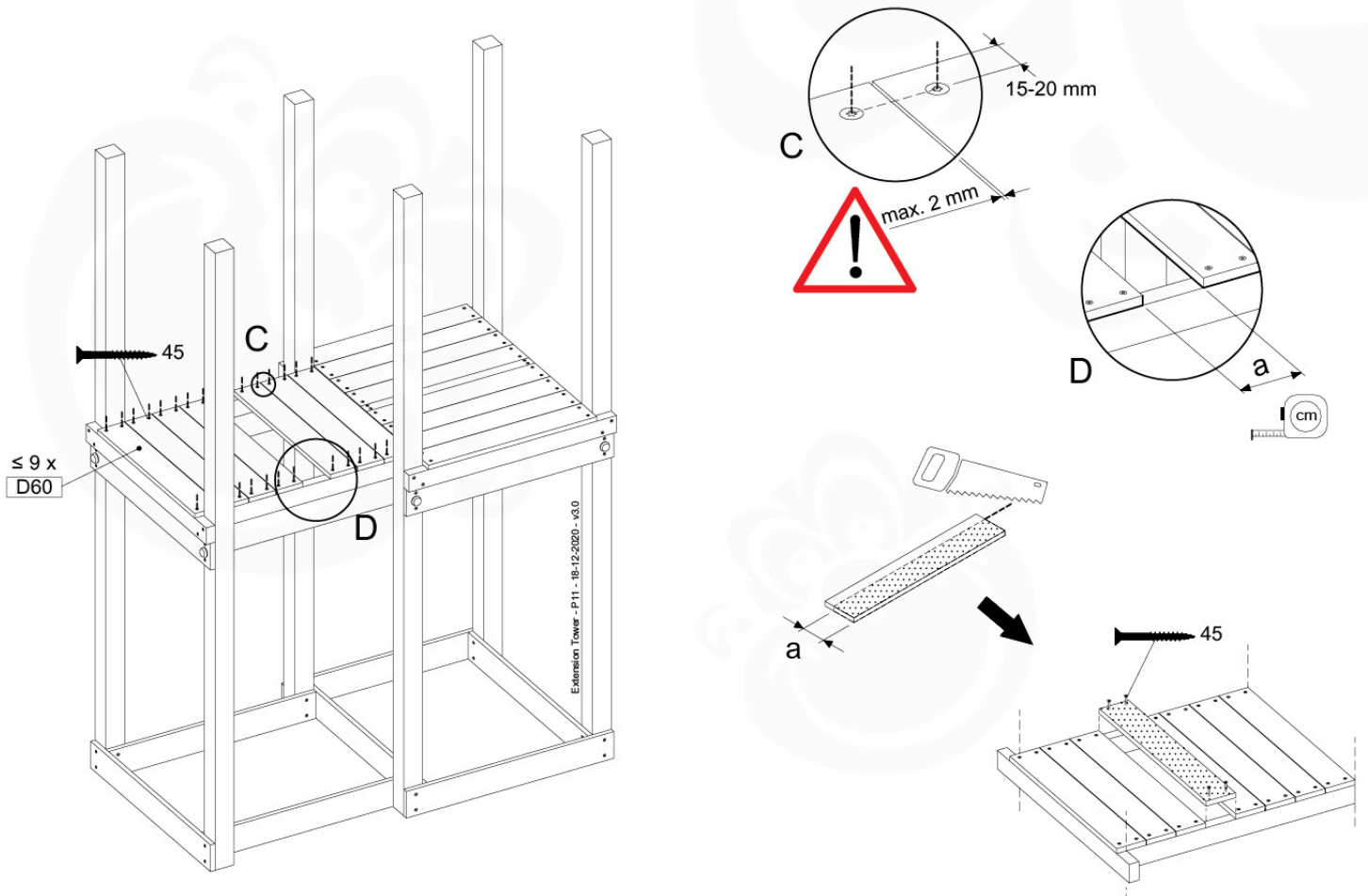




# 08-2



# 08-3



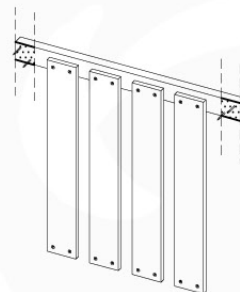
# 09 Balustrade (1x)

BL01

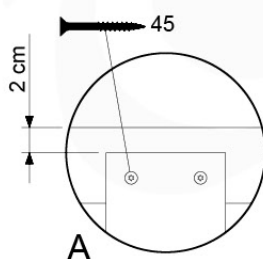
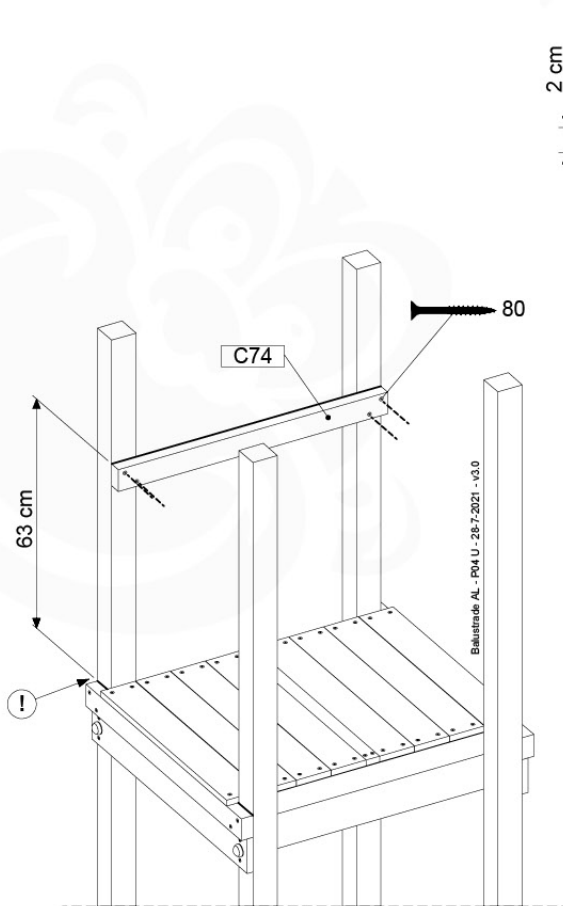
( 194\_101 )

|                          | PartNo  | PartName                   | QTY. |
|--------------------------|---------|----------------------------|------|
| Hardware Pack<br>100_601 | 002_220 | Gap Point Screw T25 - 5x45 | 16   |
|                          | 002_223 | Gap Point Screw T25 - 5x80 | 4    |
| Wood                     | C74     | Beam 740 mm                | 1    |
|                          | D65     | Board 650 mm               | 4    |

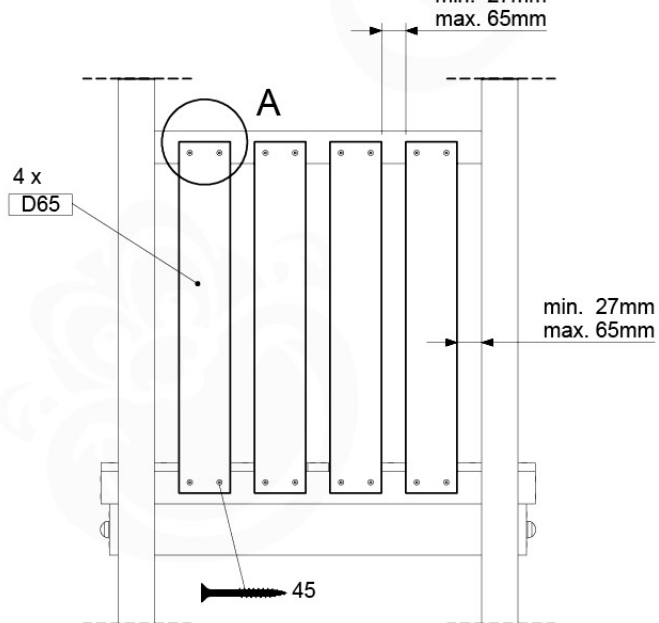
Balustrade AL - P02 U - 28.7.2021 - v3.0



## 09-1



min. 27mm  
max. 65mm



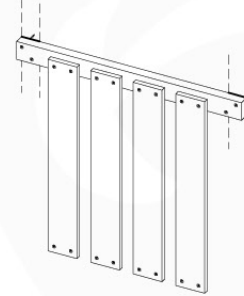
# 10 Balustrade (2x)

BL02

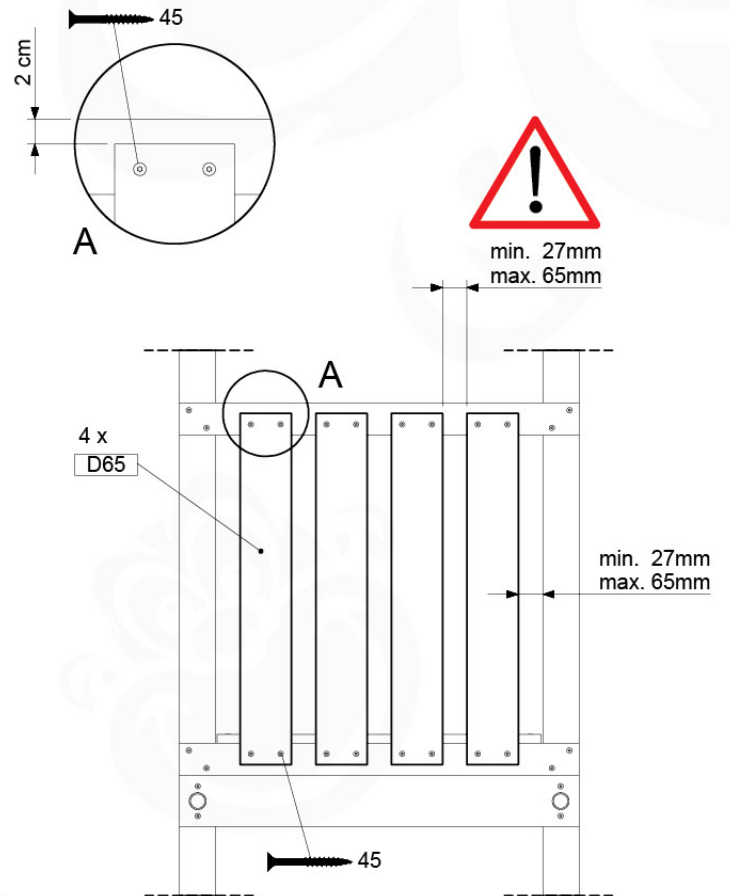
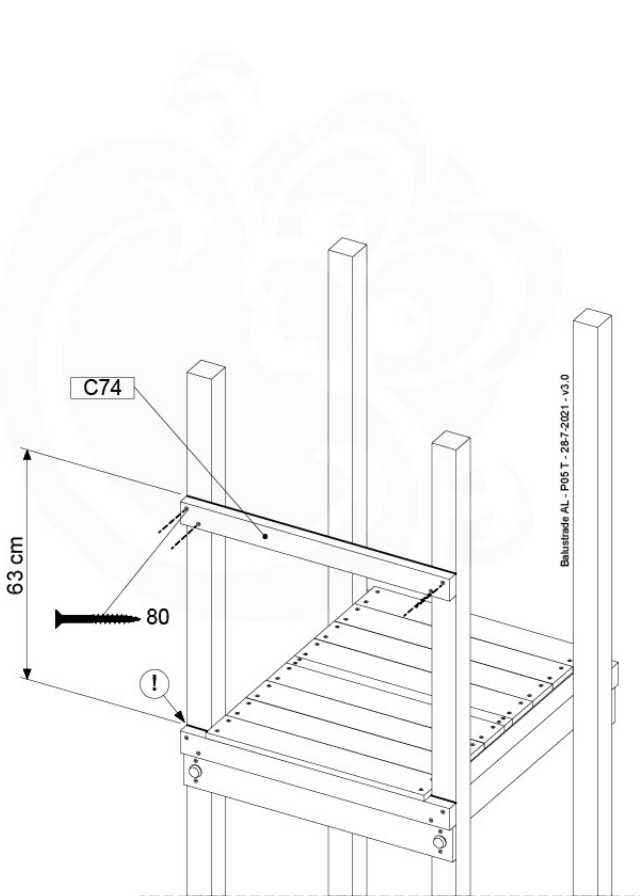
( 194\_101 )

|                          | PartNo  | PartName                   | QTY. |
|--------------------------|---------|----------------------------|------|
| Hardware Pack<br>100_601 | 002_220 | Gap Point Screw T25 - 5x45 | 16   |
|                          | 002_223 | Gap Point Screw T25 - 5x80 | 4    |
| Wood                     | C74     | Beam 740 mm                | 1    |
|                          | D65     | Board 650 mm               | 4    |

Balustrade AL - P03 T - 28-7-2021 - v3.0



## 10-1



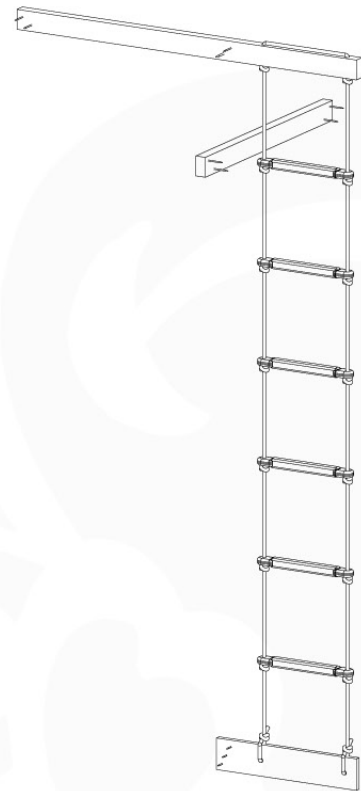
# 11 Rope Ladder

RL01

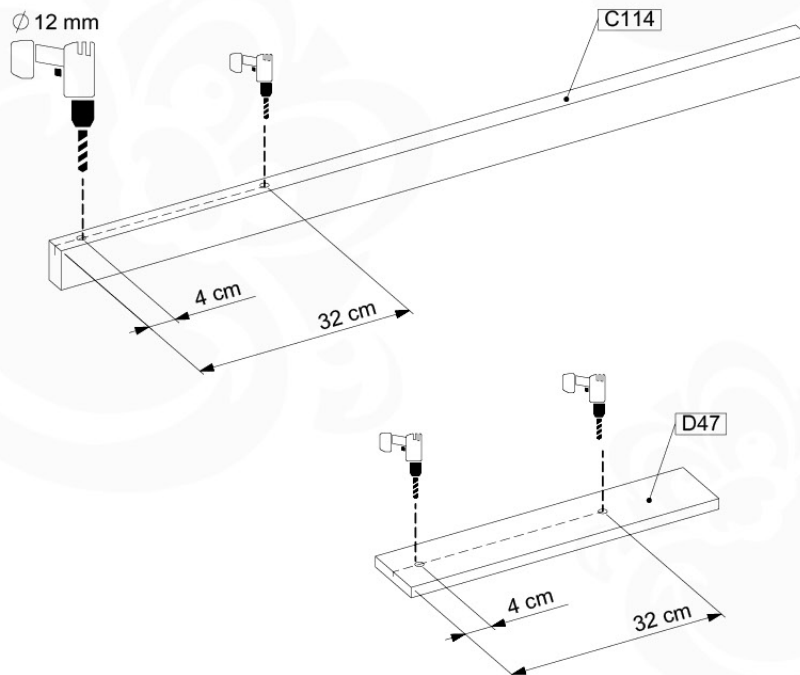
( 194\_115 )

|                          | PartNo  | PartName                   | QTY. |
|--------------------------|---------|----------------------------|------|
| Hardware Pack<br>100_613 | 001_417 | Stealth Screw 8x80         | 1    |
|                          | 002_220 | Gap Point Screw T25 - 5x45 | 3    |
|                          | 002_223 | Gap Point Screw T25 - 5x80 | 7    |
| Other                    | 020_308 | Rope 10mm x 7,6m           | 1    |
|                          | 022_52x | Rope Ladder Rung -28cm-    | 6    |
| Wood                     | C74     | Beam 740 mm                | 1    |
|                          | C114    | Beam 1140 mm               | 1    |
|                          | D47     | Board 470 mm               | 1    |

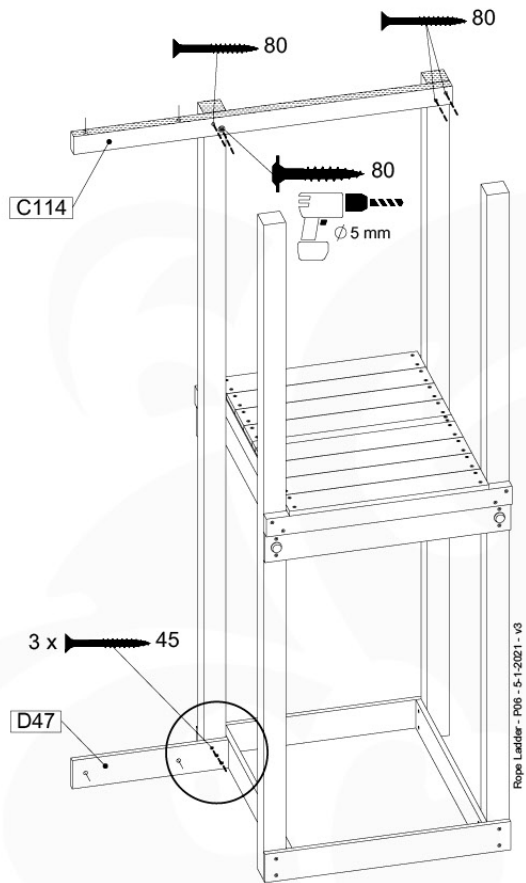
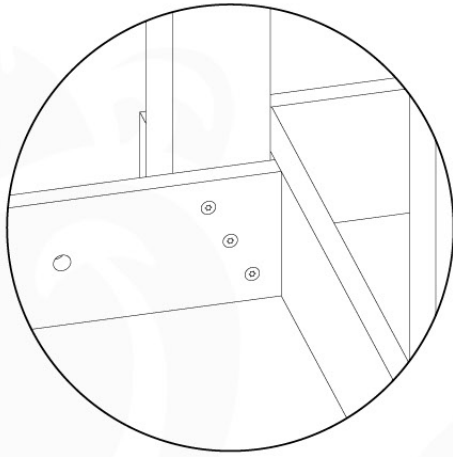
Rope Ladder - P102 - 5-1-2021 - V3



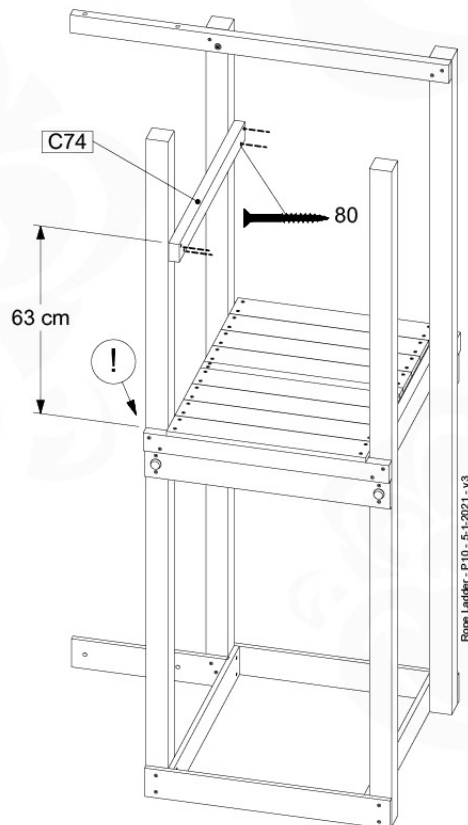
## 11-1



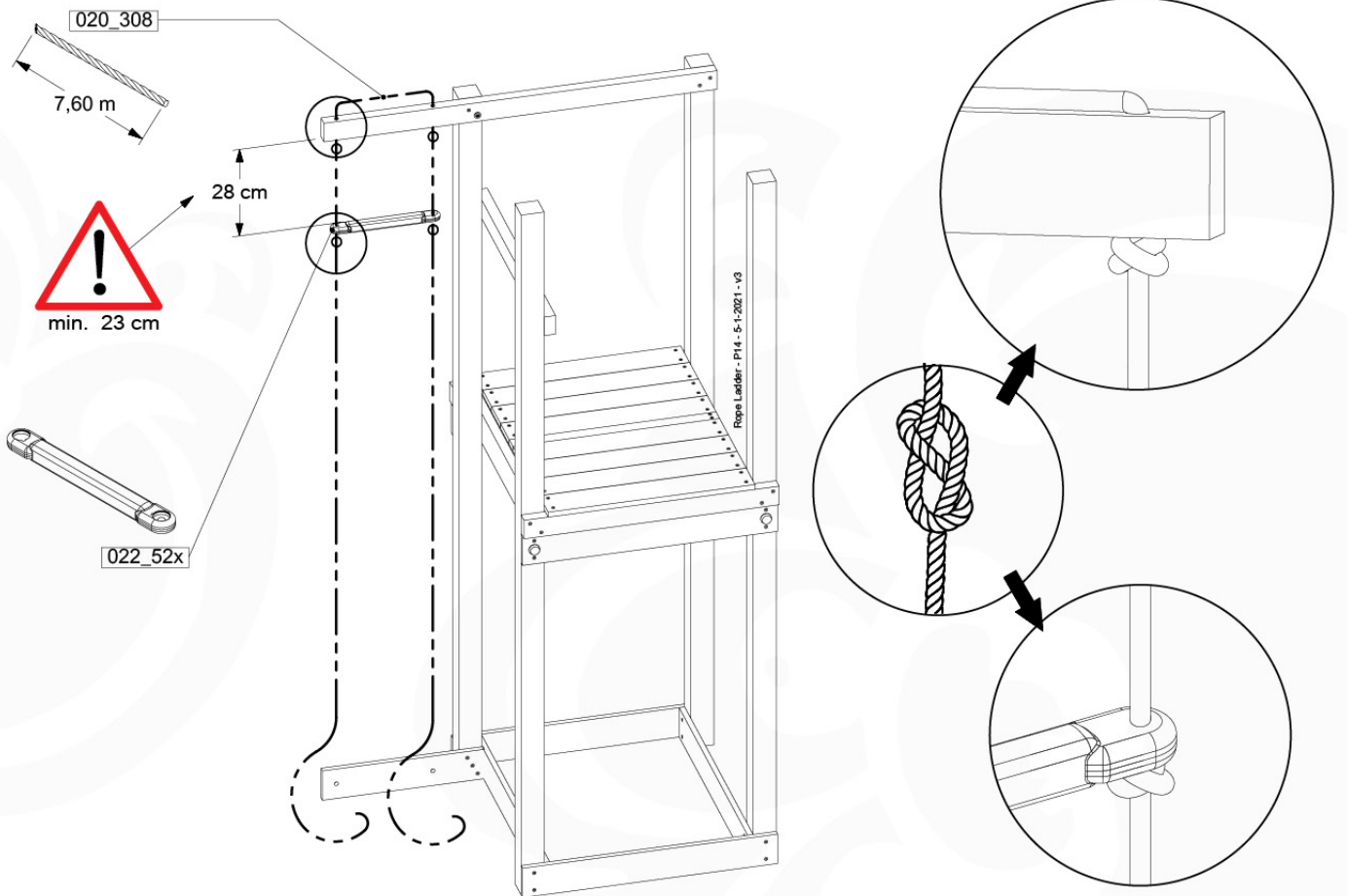
# 11-2



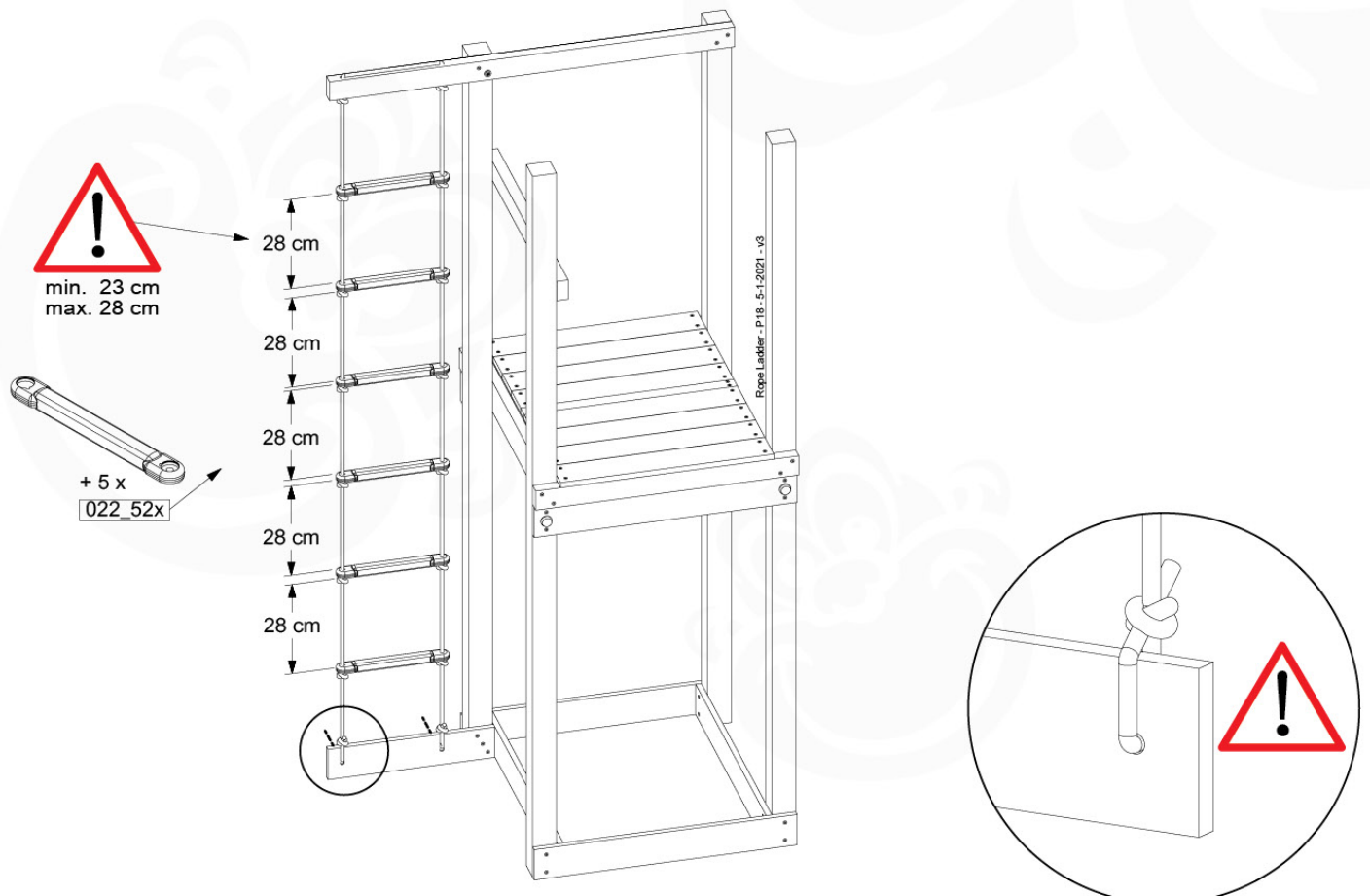
# 11-3



# 11-4



# 11-5



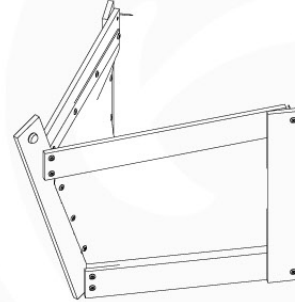
# 12 Boat

B001

( 194\_115 )

|                          | PartNo  | PartName                               | QTY. |
|--------------------------|---------|--|------|
| Hardware Pack<br>100_612 | 002_219 | Gap Point Screw T25 - 5x30             | 8    |
|                          | 002_220 | Gap Point Screw T25 - 5x45             | 8    |
|                          | 002_223 | Gap Point Screw T25 - 5x80             | 4    |
|                          | 002_308 | Gap Point Screw T25 - 5x20             | 28   |
|                          | 022_84x | bpc cover                              | 2    |
|                          | 022_31x | bpc-base version 3                     | 2    |
|                          | 023_031 | Finishing Washer GPS 5.0               | 40   |
| Other                    | 123_220 | Canvas sheet 735x1365mm (fits 2 sides) | 1    |
| Wood                     | D60     | Board 600 mm                           | 4    |
|                          | D74     | Board 740 mm                           | 3    |

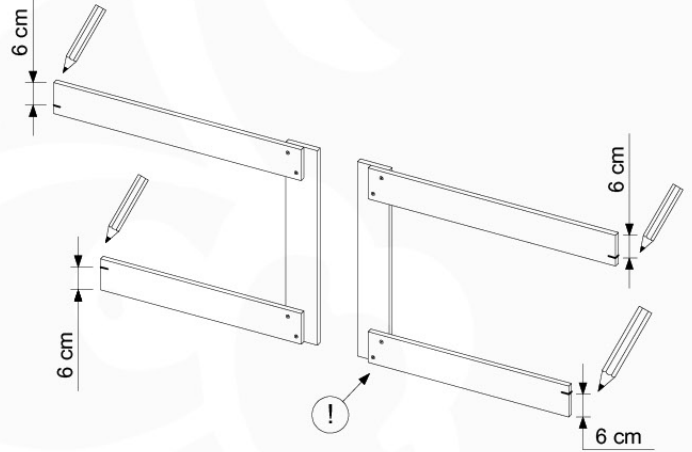
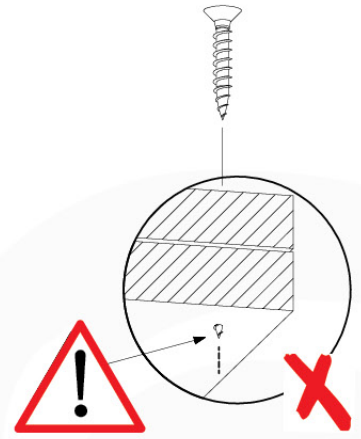
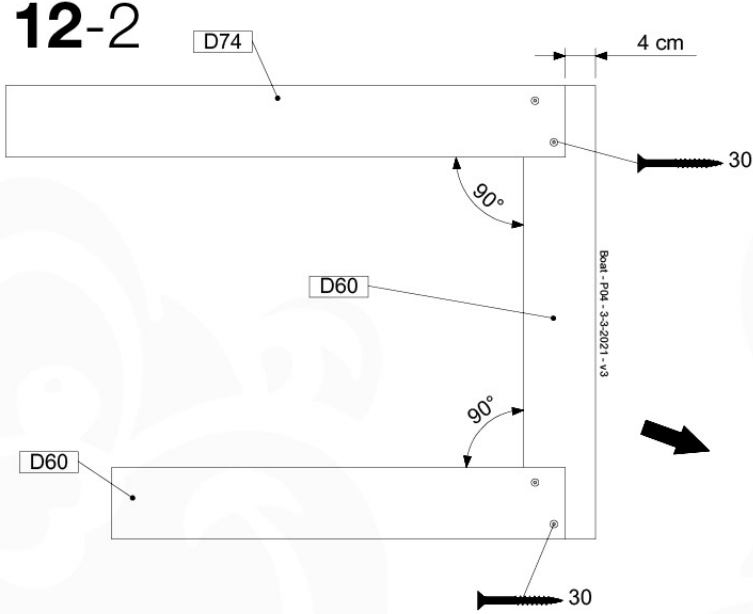
Boat - P102 - 3-3-2021 - v3



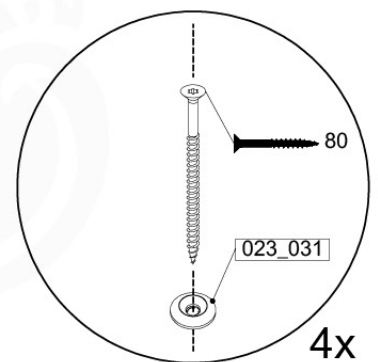
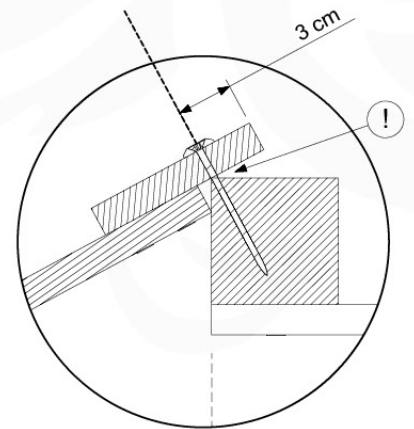
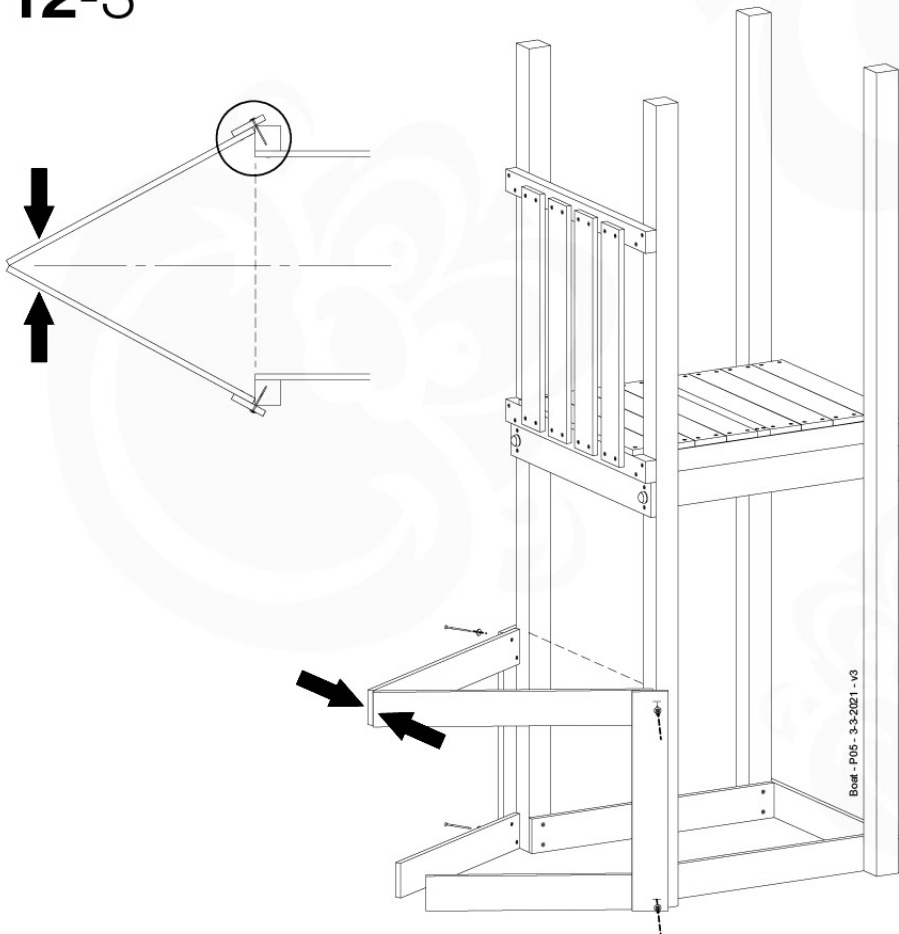
## 12-1



# 12-2

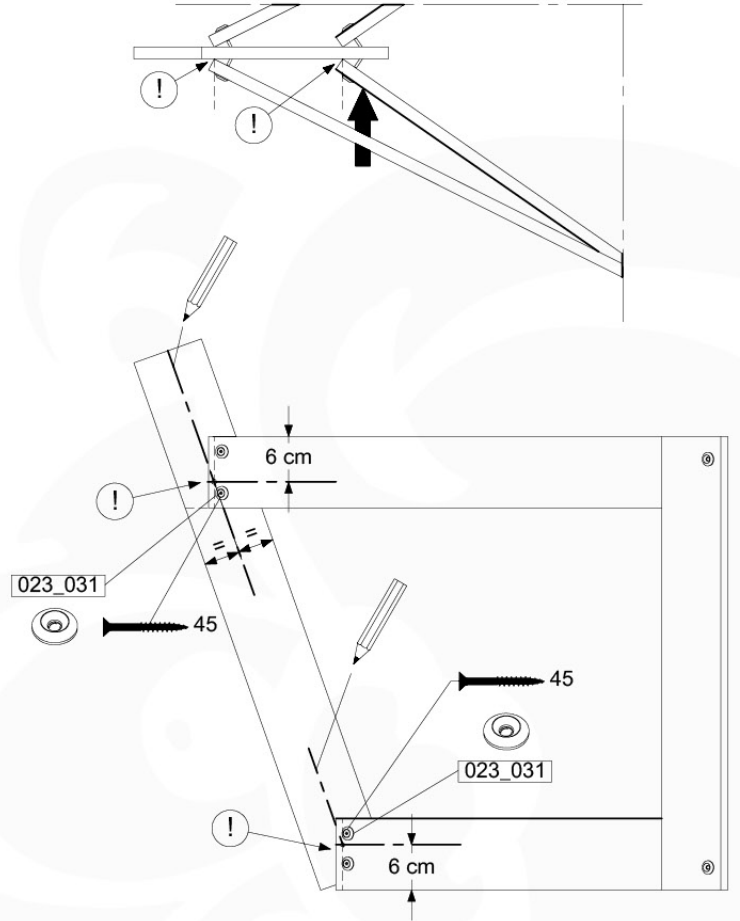
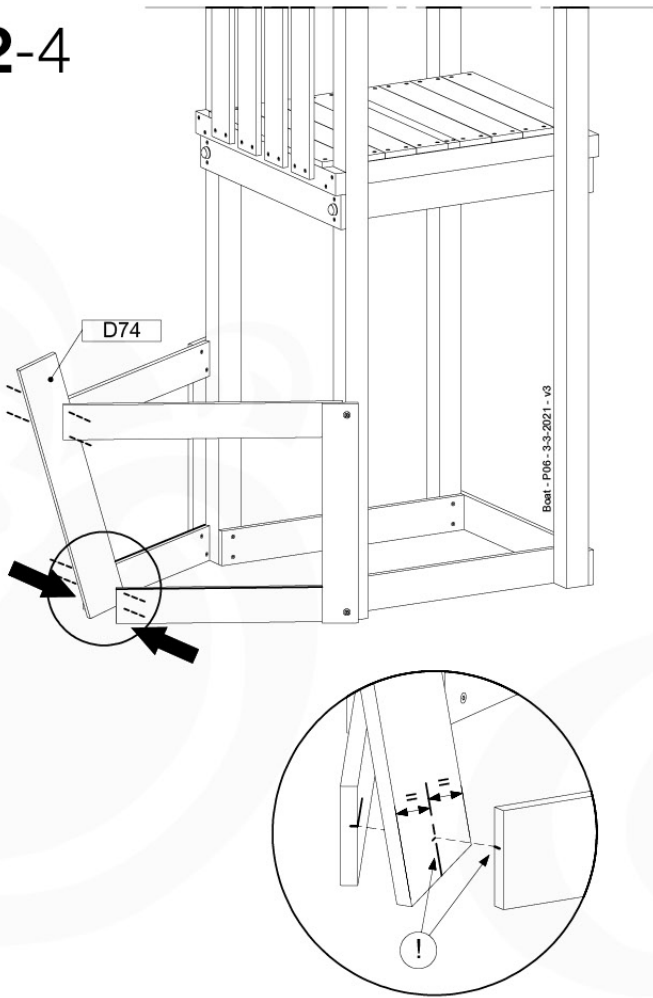


# 12-3

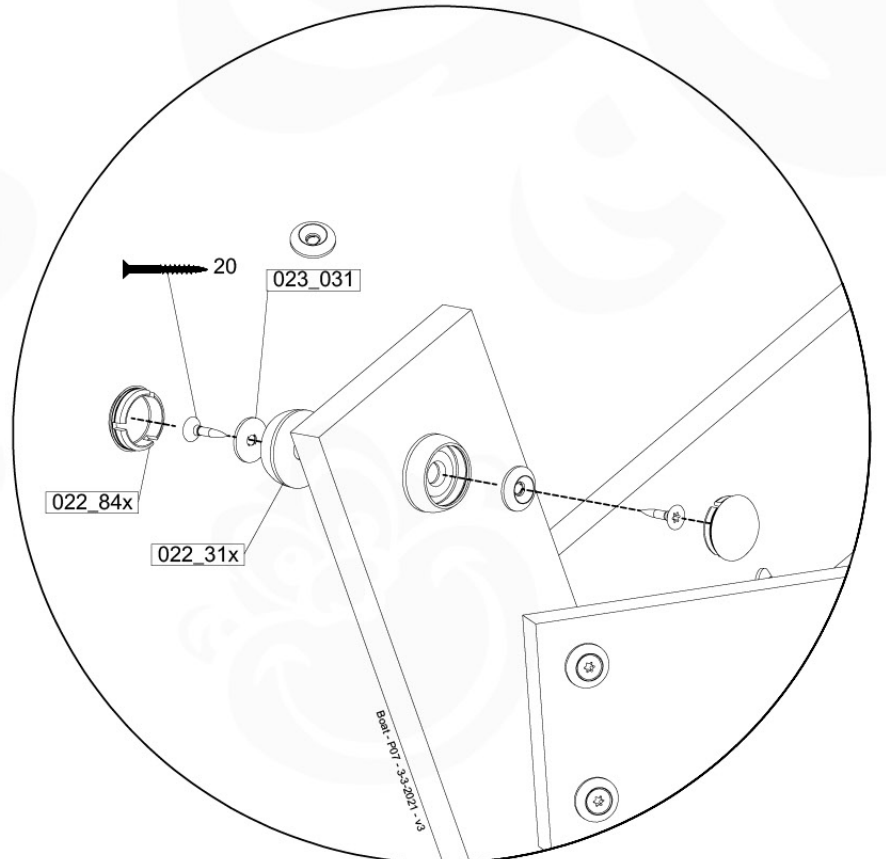
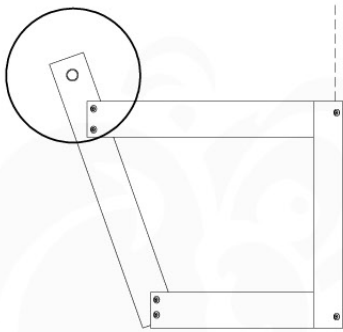




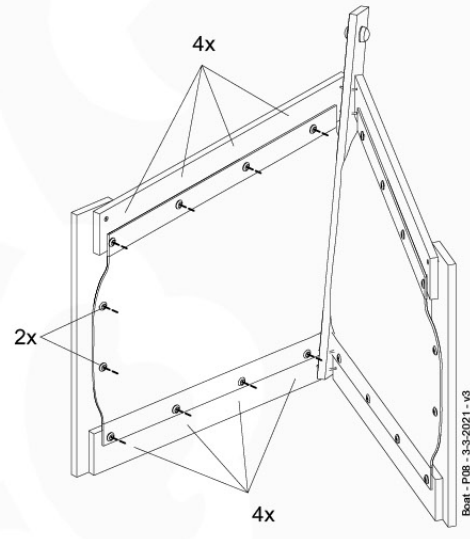
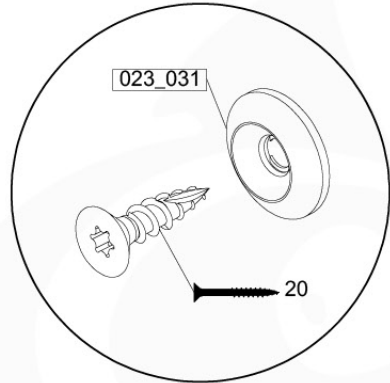
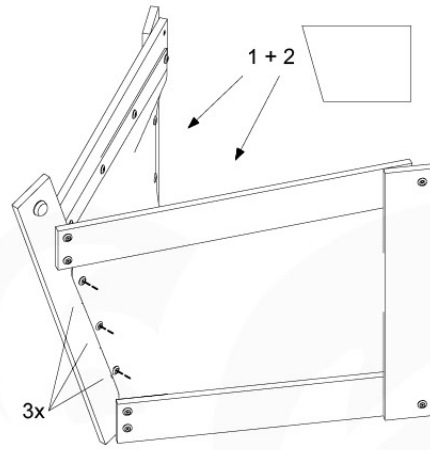
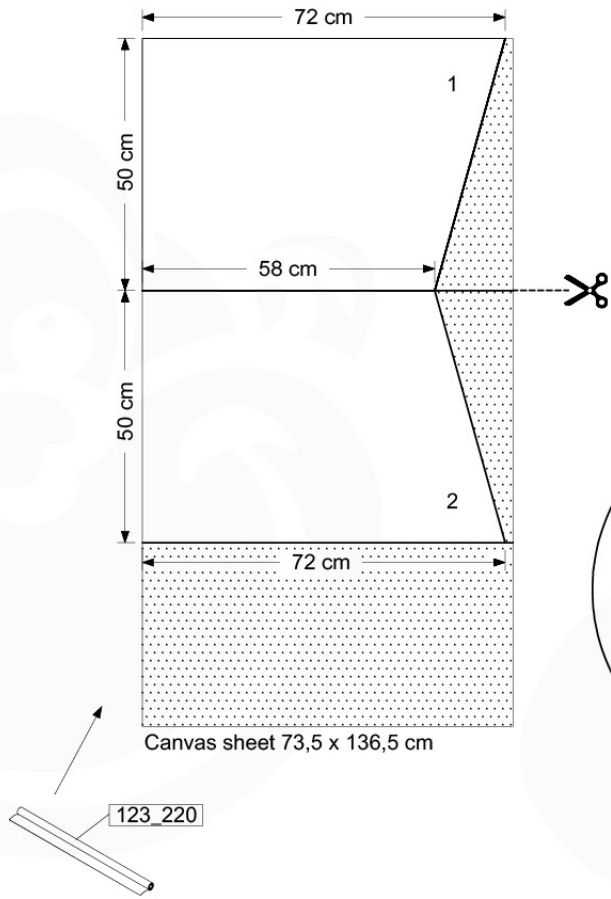
# 12-4



# 12-5



# 12-6



Beat - P18 - 3-3-2021 - v3

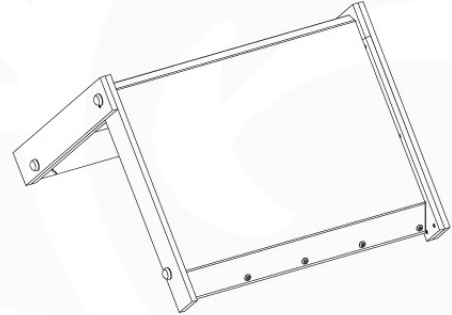
# 13 Roof Canvas Gable

RF02

( 194\_108 )

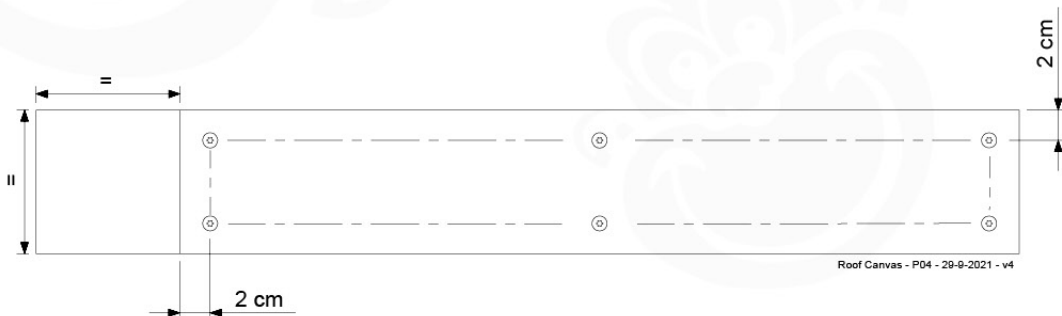
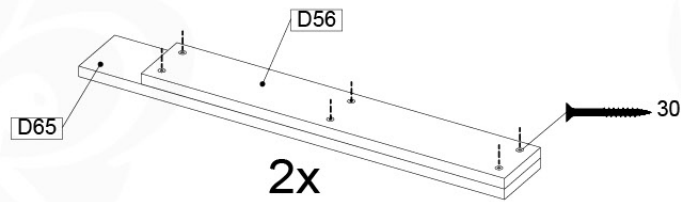
|                       | PartNo  | PartName                                | QTY. |
|-----------------------|---------|---|------|
| Hardware Pack 100_606 | 001_417 | Stealth Screw 8x80                      | 6    |
|                       | 002_219 | Gap Point Screw T25 - 5x30              | 12   |
|                       | 002_220 | Gap Point Screw T25 - 5x45              | 8    |
|                       | 002_223 | Gap Point Screw T25 - 5x80              | 2    |
|                       | 002_308 | Gap Point Screw T25 - 5x20              | 10   |
|                       | 022_31x | bpc-base version 3                      | 6    |
|                       | 022_84x | bpc cover                               | 6    |
|                       | 023_031 | Finishing Washer GPS 5.0                | 10   |
| Other                 | 123_220 | Canvas sheet 735x1365mm (min. 735x1250) | 1    |
| Timber                | C74     | Beam 740 mm                             | 1    |
|                       | D56     | Board L=(650 - board width) mm          | 2    |
|                       | D65     | Board 650 mm                            | 4    |
|                       | D74     | Board 740 mm                            | 2    |

Roof Canvas - P02 - 29-9-2021 - v4



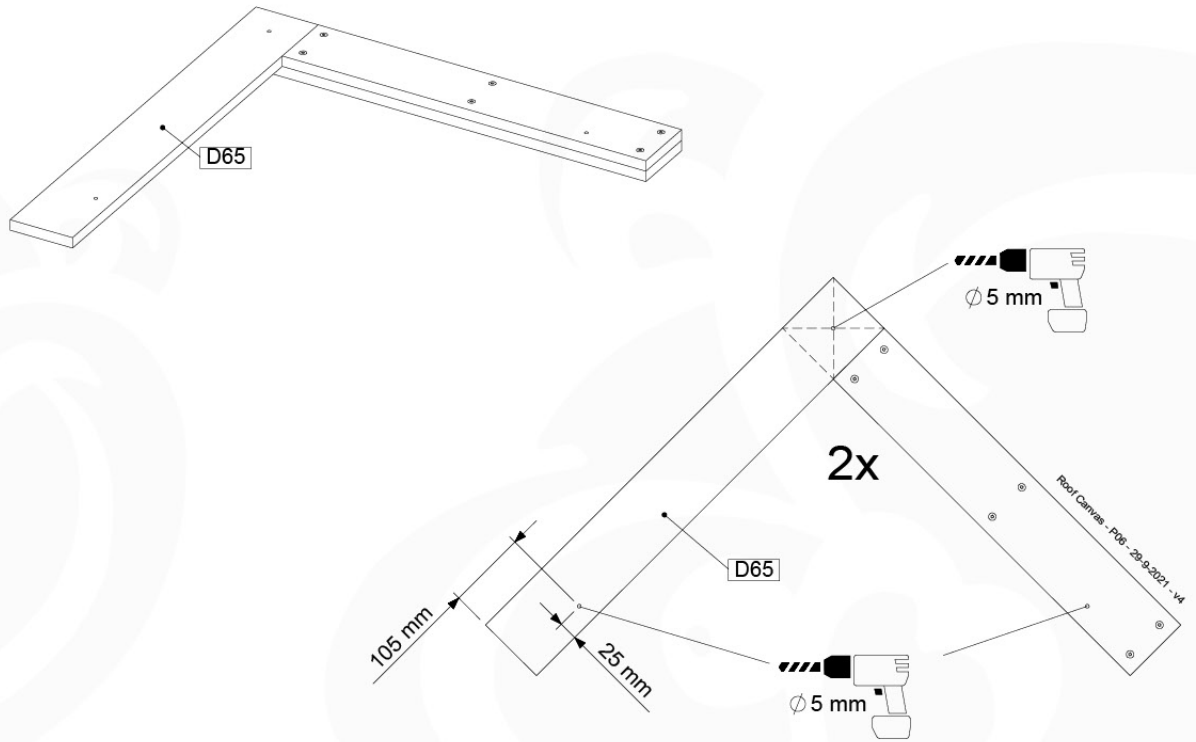
Modular Kit Roof Canvas

## 13-1

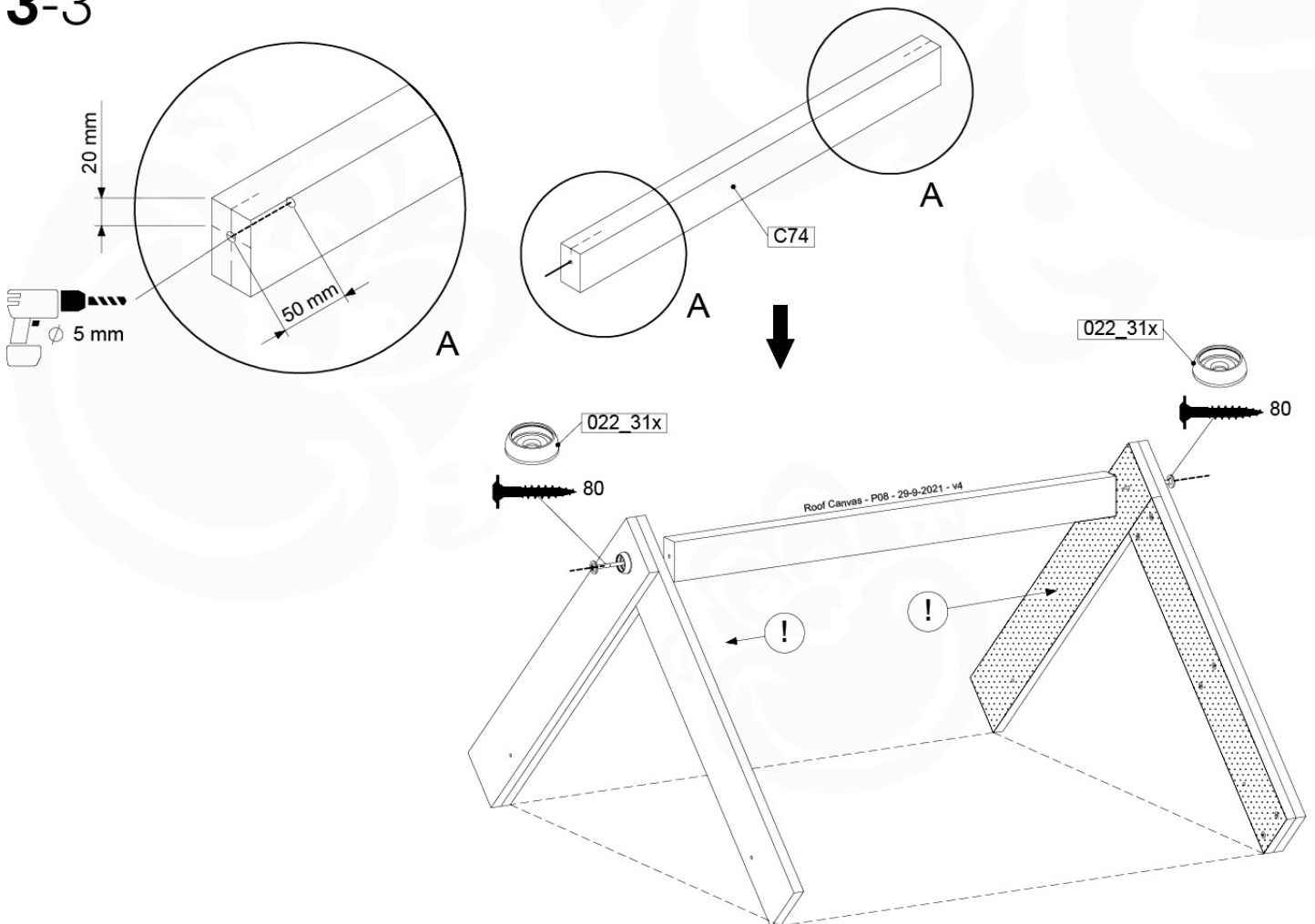


Roof Canvas - P04 - 29-9-2021 - v4

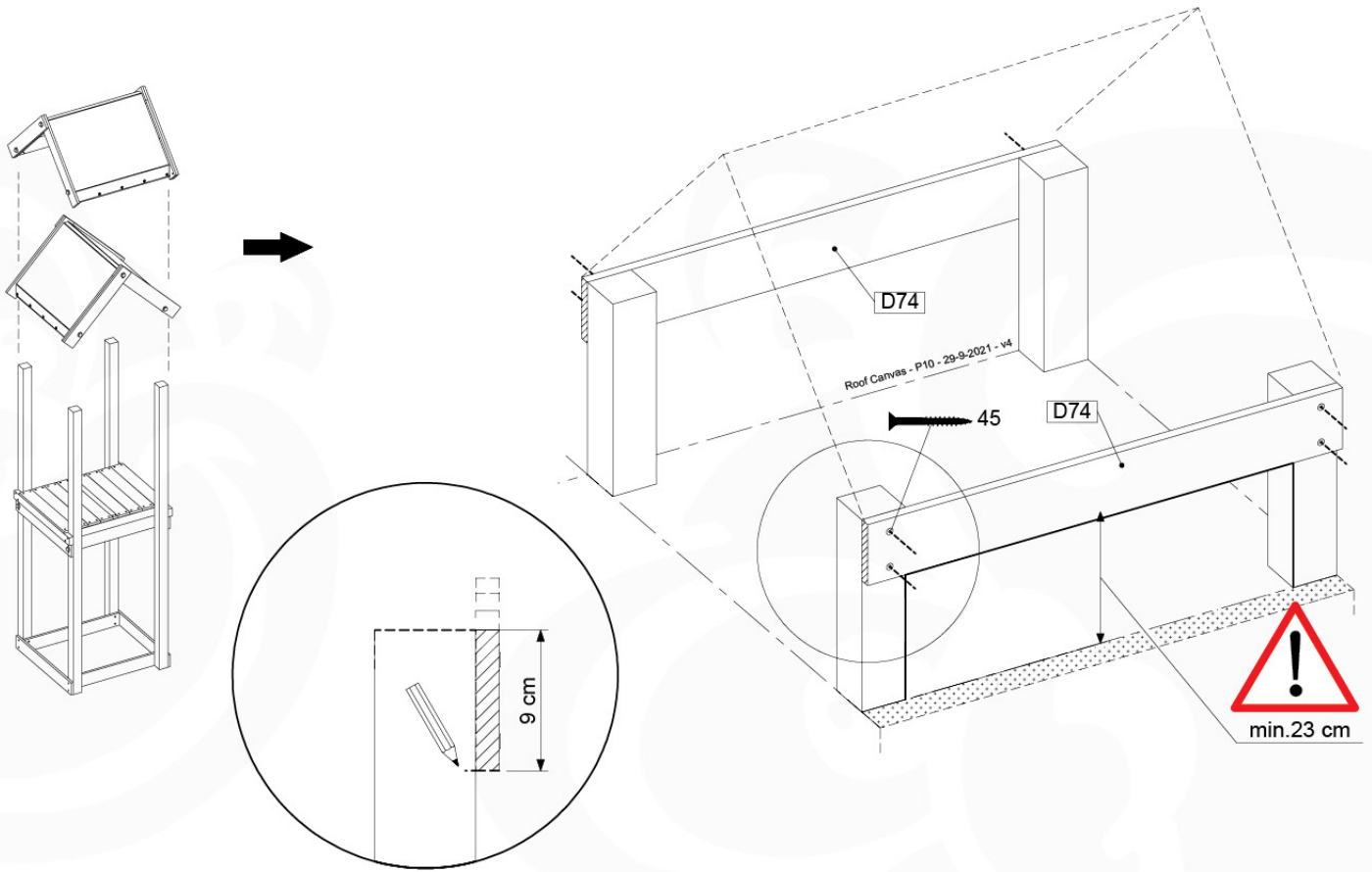
# 13-2



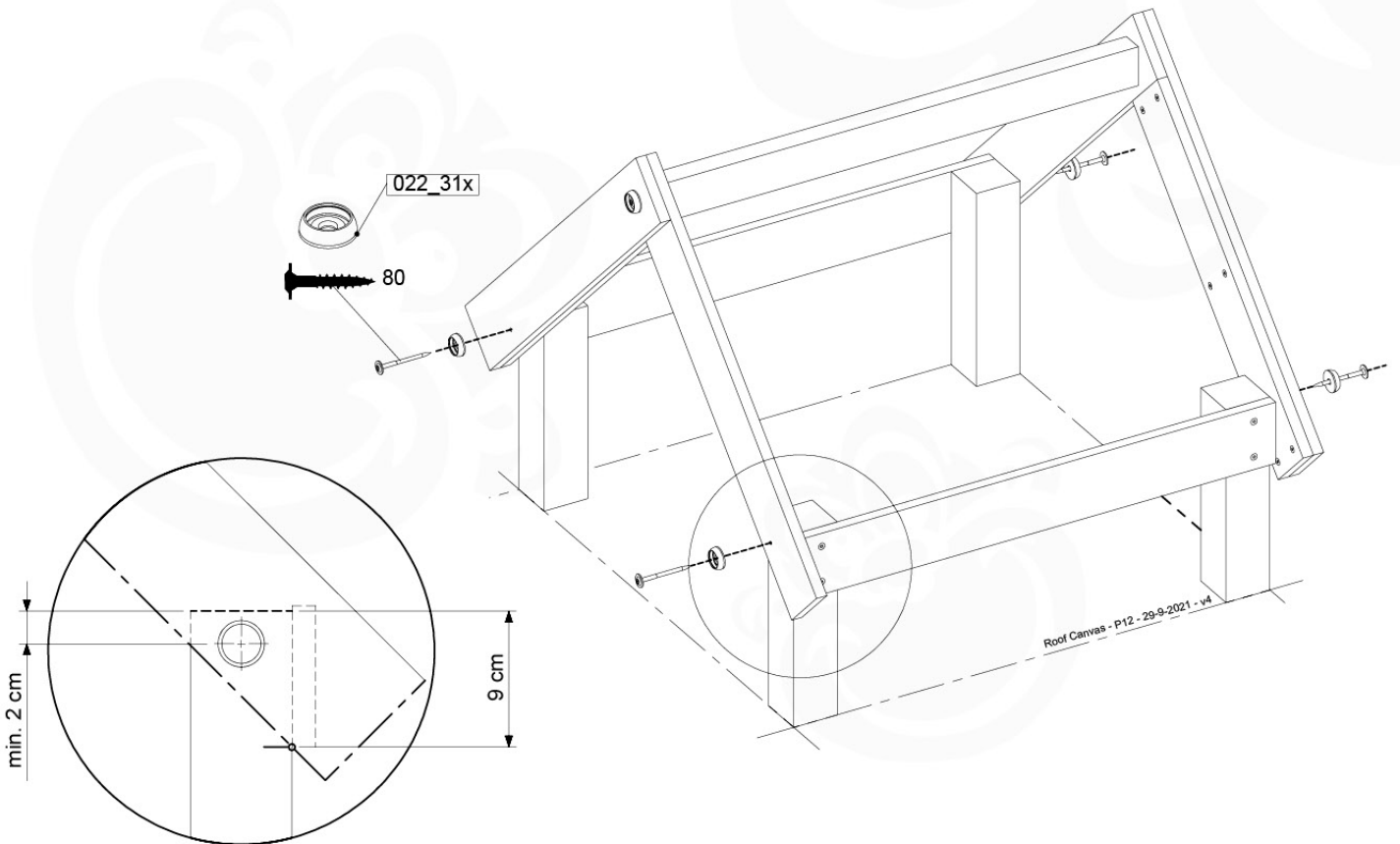
# 13-3



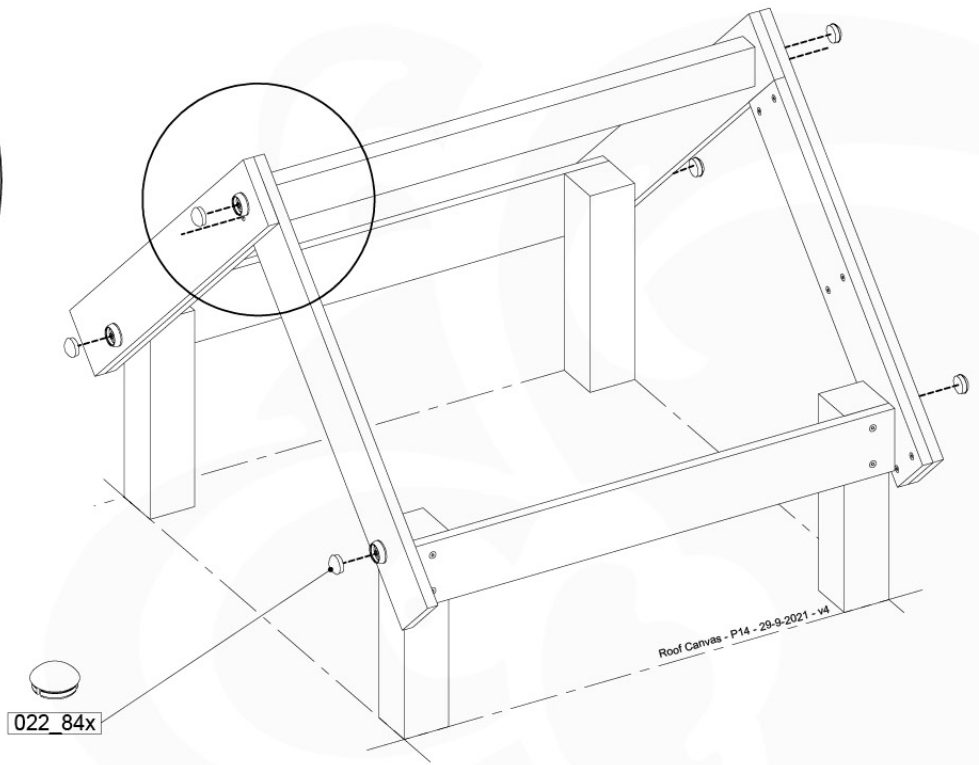
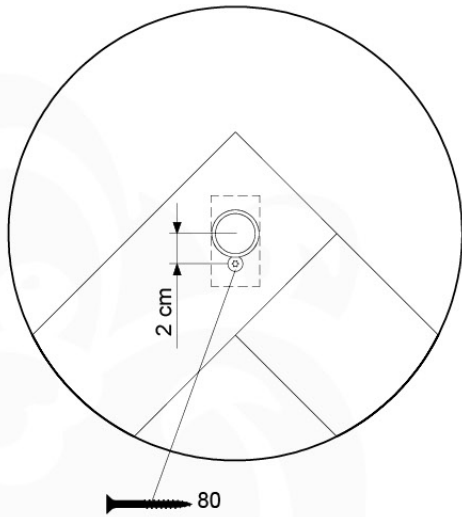
# 13-4



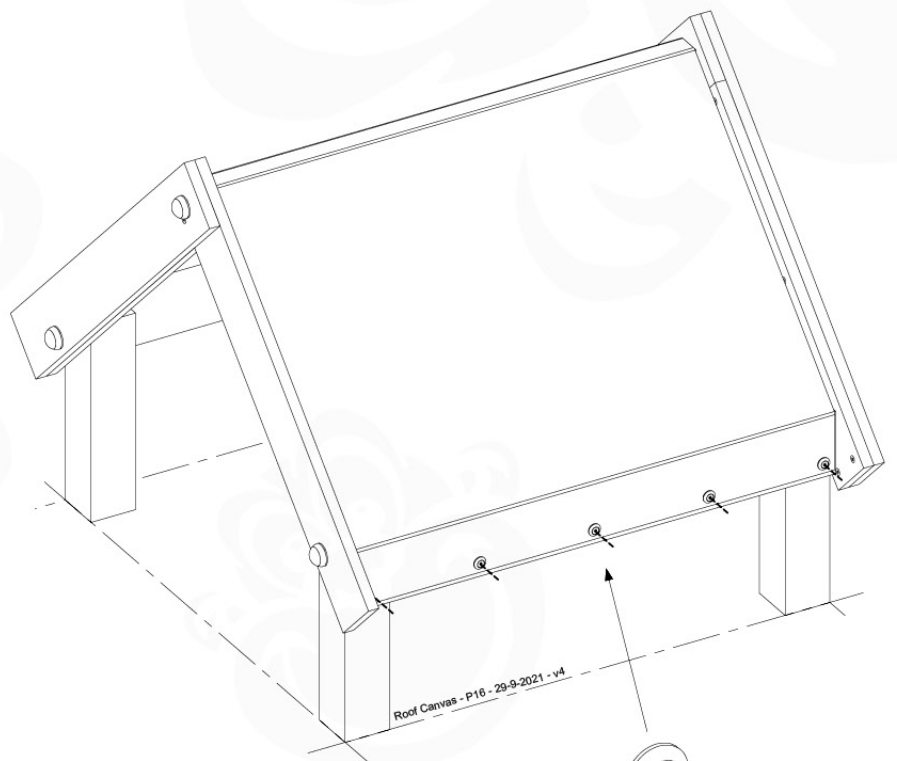
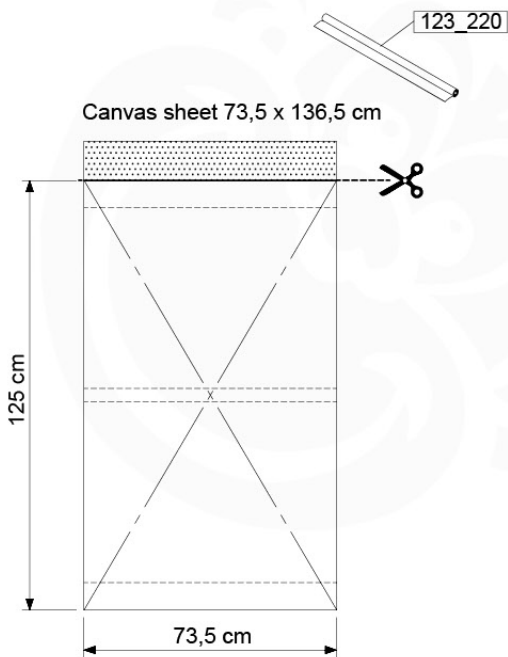
# 13-5



# 13-6



# 13-7



# 14 Ladder

LA01

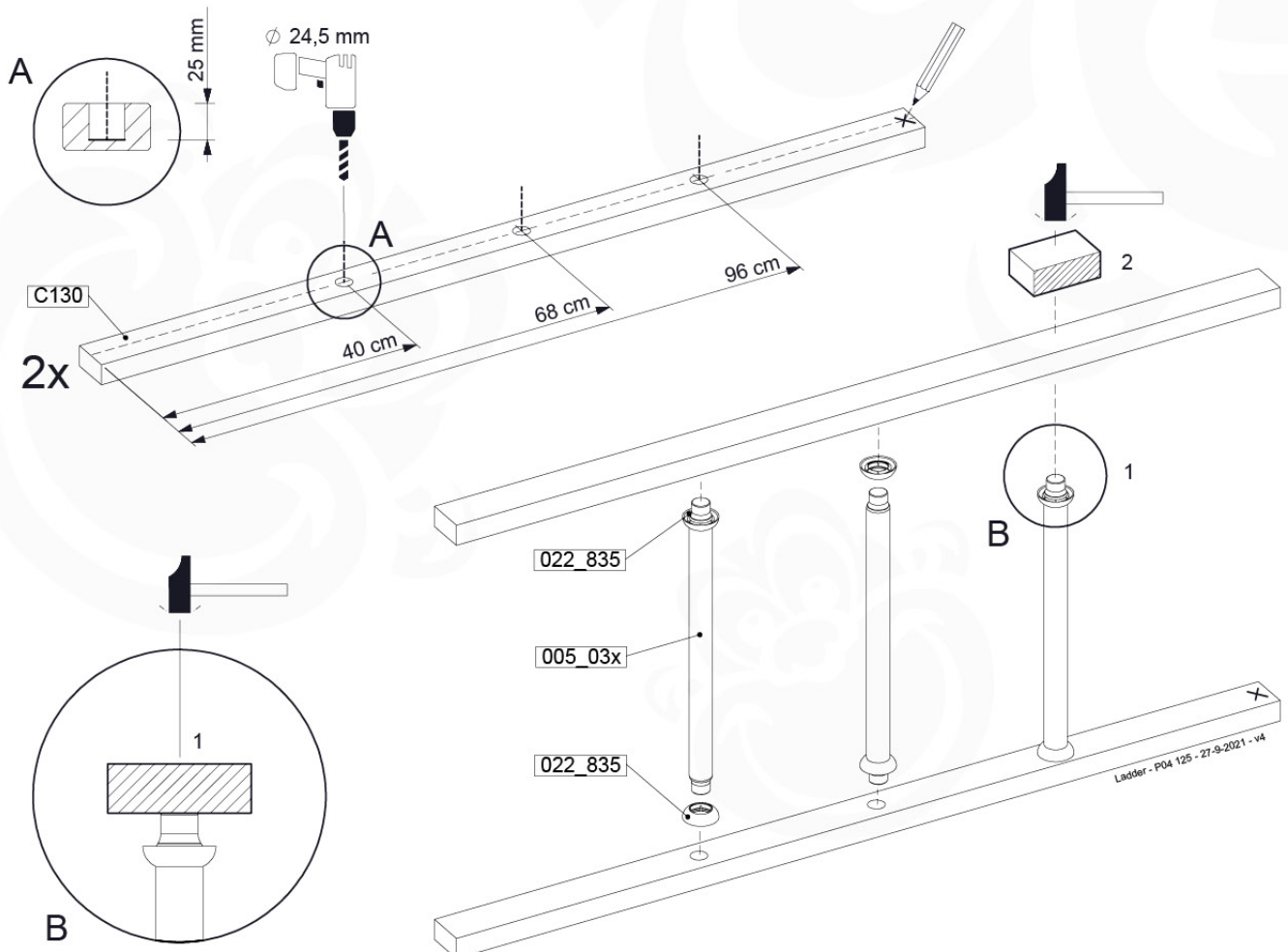
( 194\_103 )

|                          | PartNo  | PartName                       | QTY. |
|--------------------------|---------|--------------------------------|------|
| Hardware Pack<br>100_603 | 001_404 | Stealth Screw 8x30             | 4    |
|                          | 002_219 | Gap Point Screw T25 - 5x30     | 4    |
|                          | 002_220 | Gap Point Screw T25 - 5x45     | 6    |
|                          | 002_223 | Gap Point Screw T25 - 5x80     | 4    |
| Other                    | 005_03x | Ladder Rung Y/B/G/R            | 3    |
|                          | 005_522 | Connection Bracket Mini Market | 2    |
|                          | 022_835 | Rung Cap                       | 6    |
|                          | 120_102 | Handgrip set (2x Complete)     | 1    |
| Wood                     | C74     | Beam 740 mm                    | 1    |
|                          | C130    | Beam 1300 mm                   | 2    |

Ladder - P02 125 - 27-9-2021 - v4

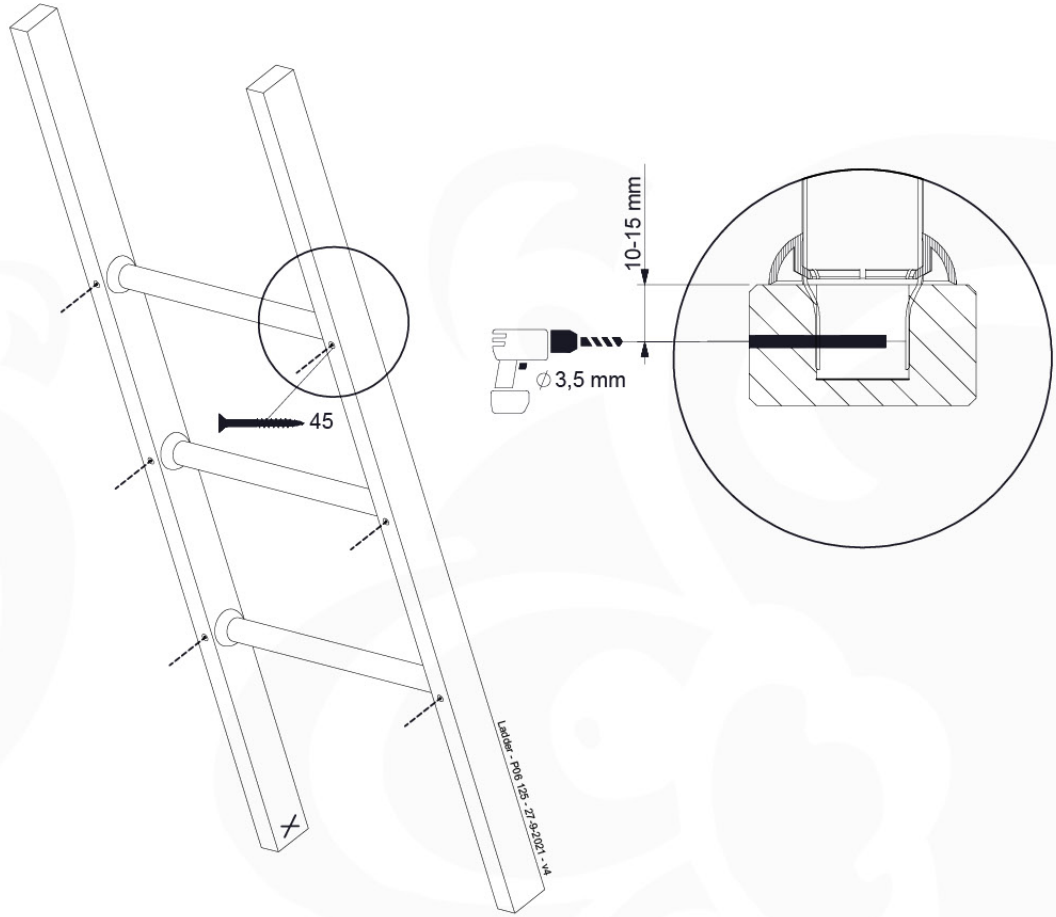


## 14-1

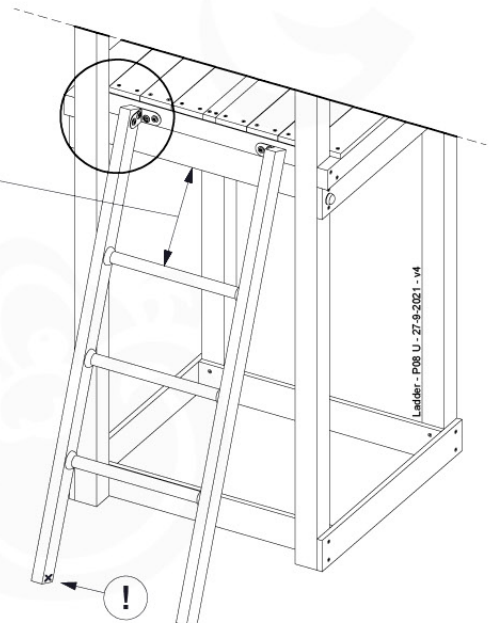
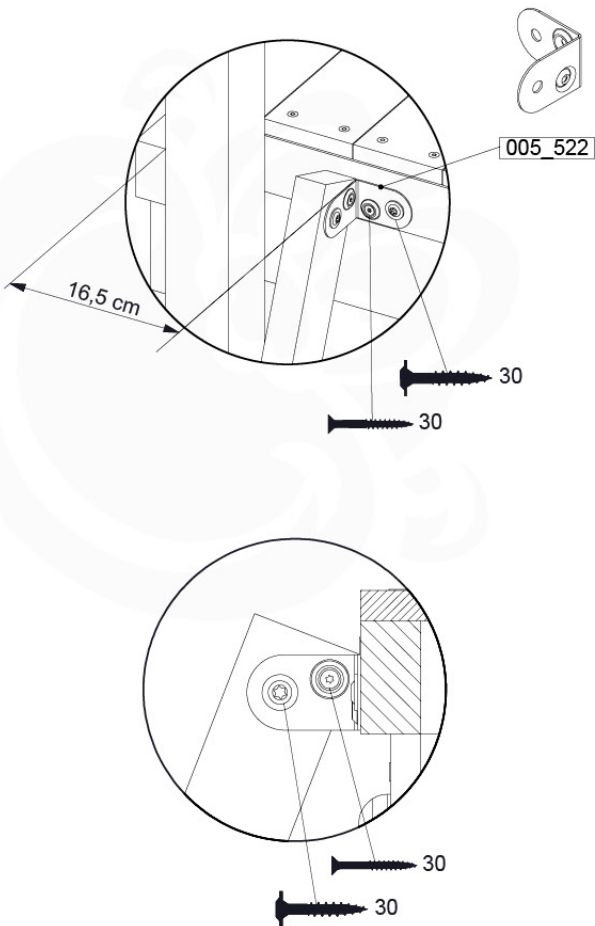


Ladder - P04 125 - 27-9-2021 - v4

# 14-2

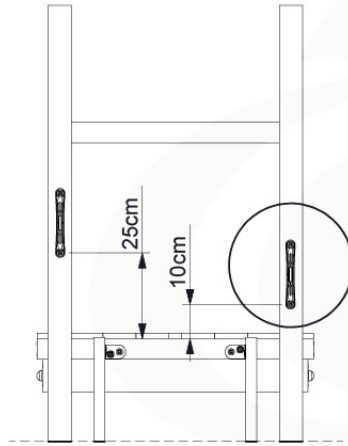
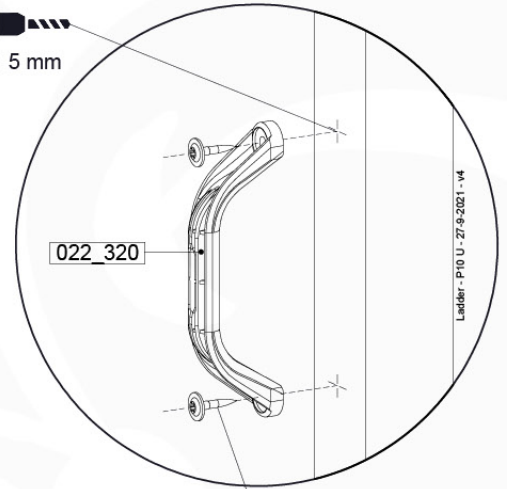
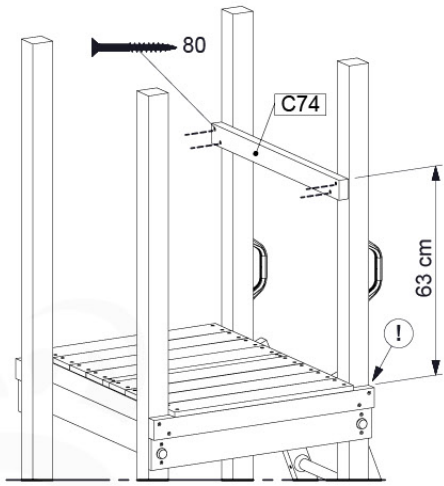


# 14-3





# 14-4



© 2022 Jungle Gym B.V. - www.jungle gym.com

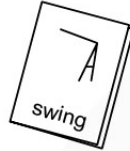
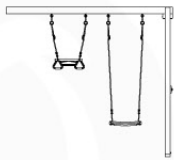
# 15 Swing Frame / Climb Frame



16



+

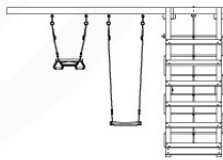


16

1-Swing frame / 2-Swing frame  
457\_101  
457\_102



+



16

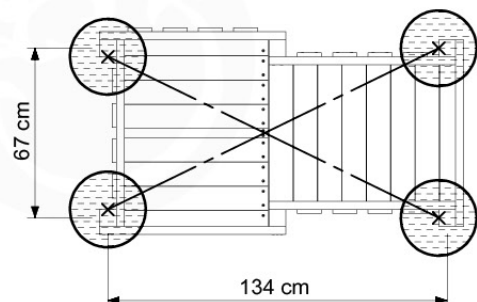
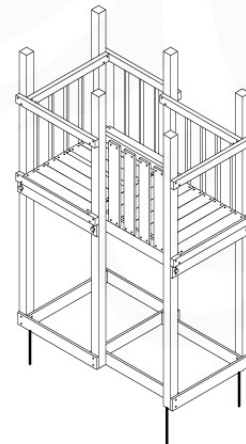
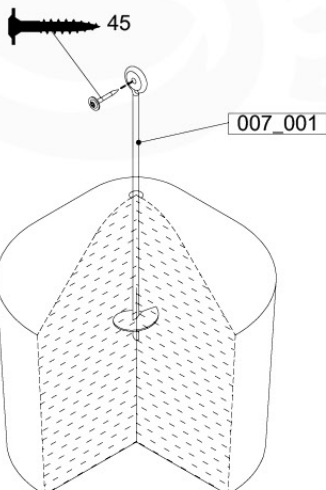
1-Climb frame / 2-Climb frame  
457\_105  
457\_106

# 16 Ground Anchors

GA02

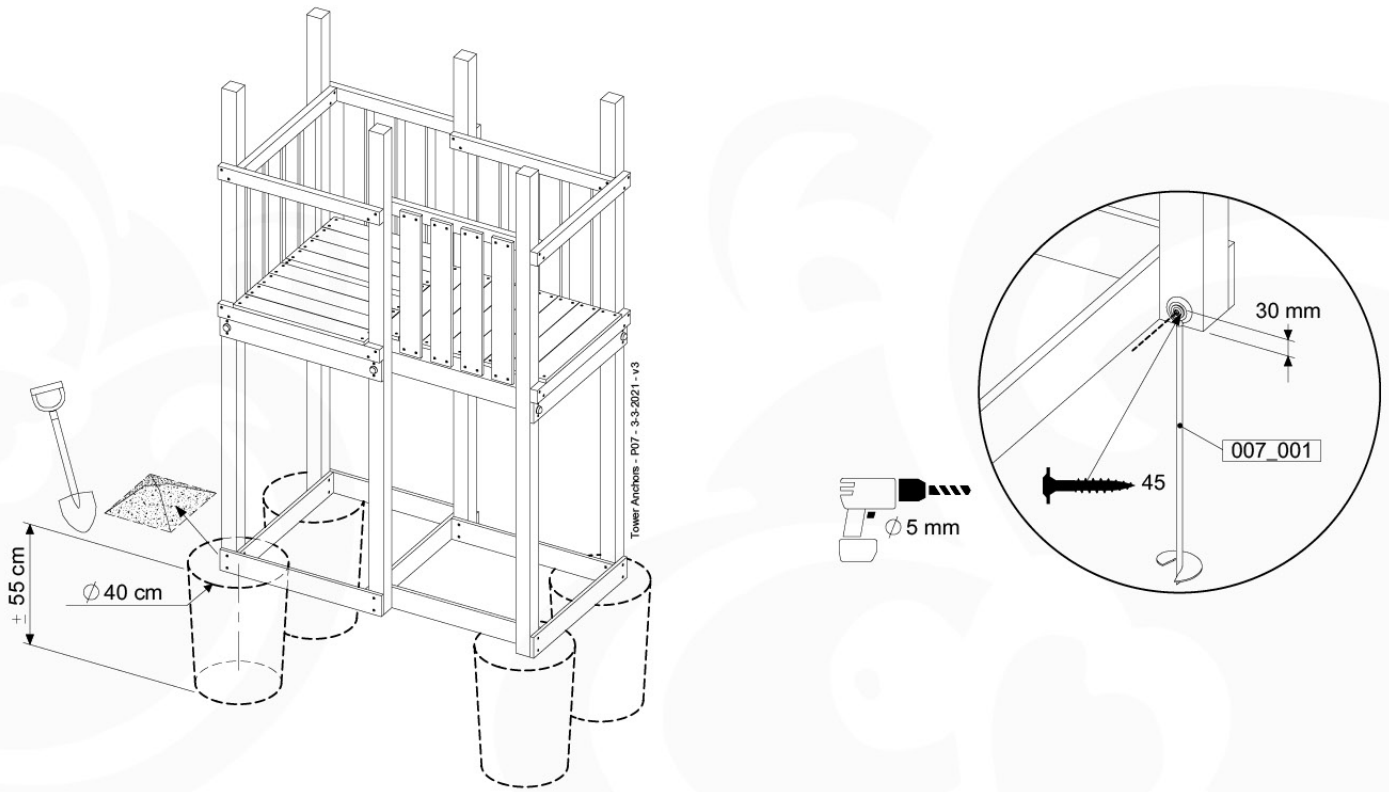
Parts:

Assembly Package Tower  
194\_100

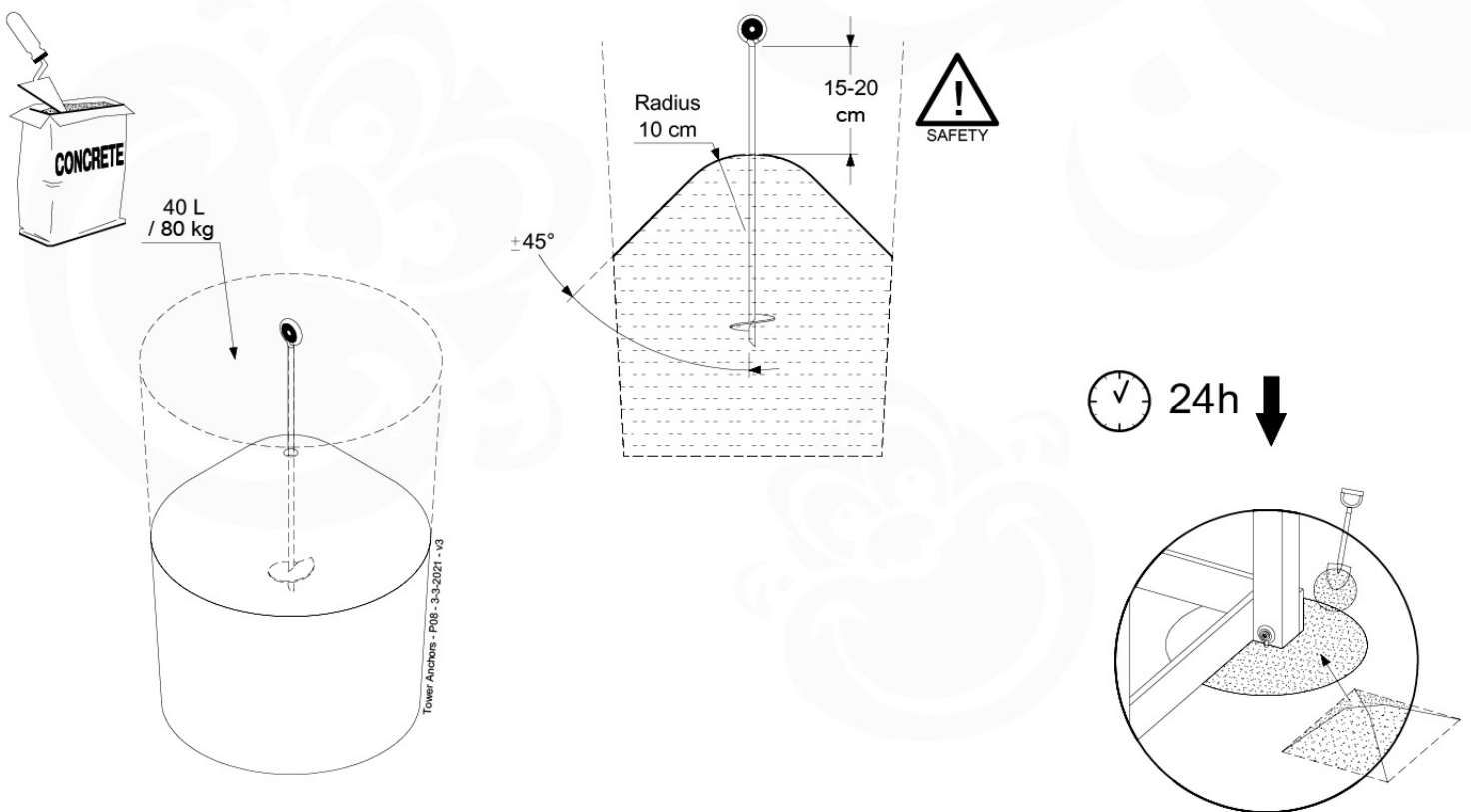


Tower Anchors - F03 - 3-3-2021 - v3

# 16-1



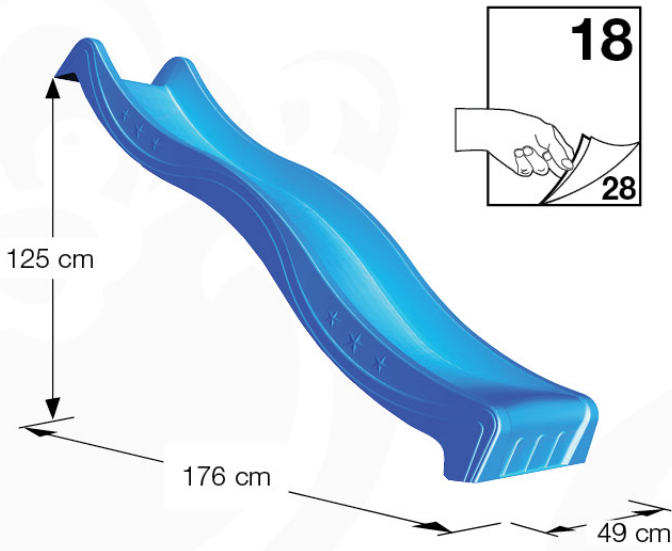
# 16-2



# 17 Add-on

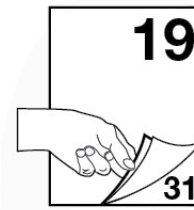
## Wavy Star Slide XL

- 324\_100 Yellow
- 324\_200 Blue
- 324\_300 Green
- 324\_400 Red
- 324\_500 Fuchsia
- 324\_600 Dark Green



## Fireman's Pole

201\_275



# 18 Slide Set

SL02

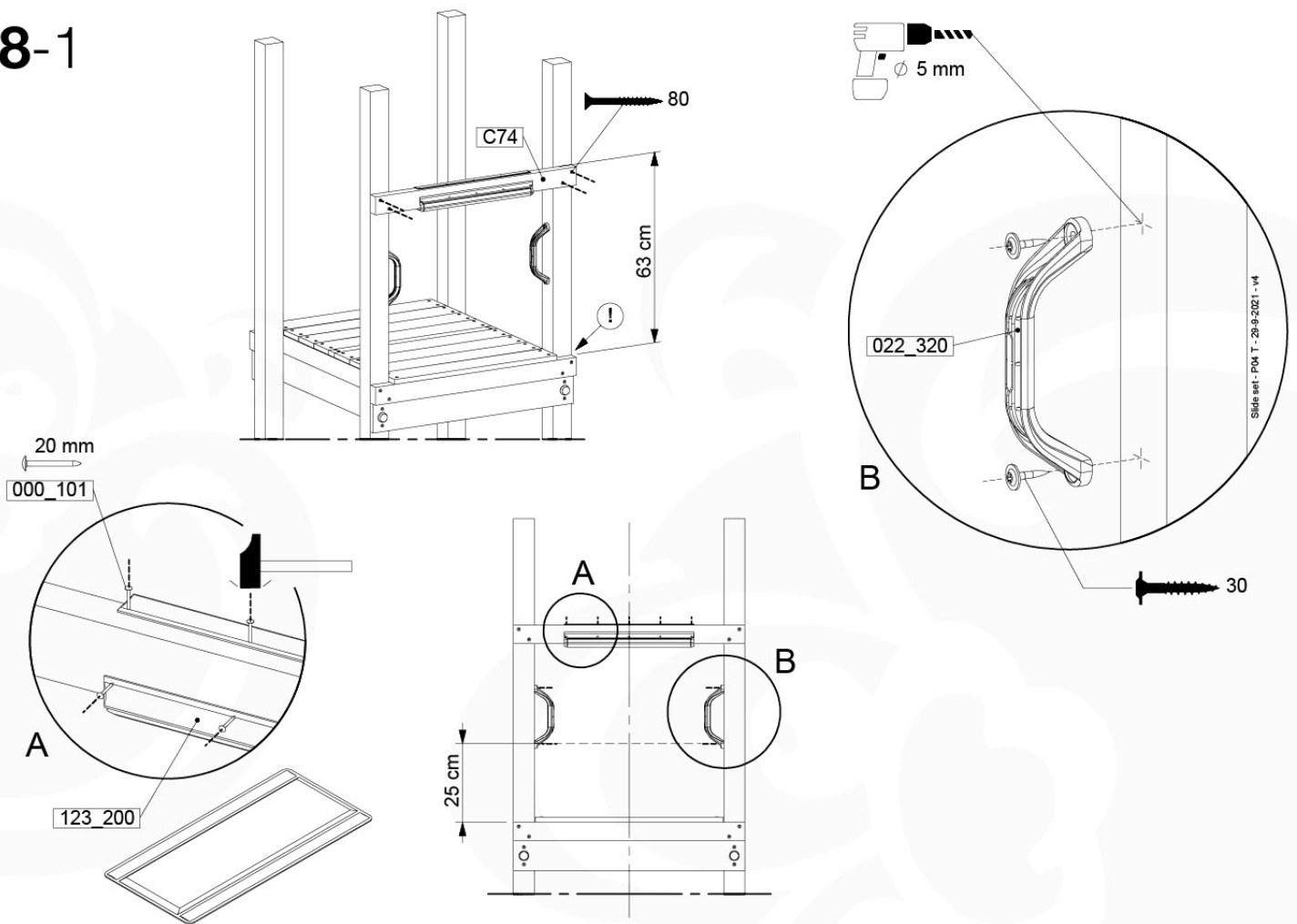
( 194\_107 )

|                          | PartNo             | PartName   | QTY. |
|--------------------------|--------------------|--|------|
| Hardware Pack<br>100_605 | 000_101            | Nail Pan Head  | 10   |
|                          | 002_223            | Gap Point Screw T25 - 5x80                                 | 4    |
|                          | 002_308            | Gap Point Screw T25 - 5x20                                 | 2    |
| Other                    | 120_102            | Handgrip set (2x Complete)                                 | 1    |
|                          | 123_200            | Bumperpad  | 1    |
|                          | 324_xxx<br>334_xxx | Wavy Star Slide XL 2200 mm /<br>Wavy Star Slide XL 2650 mm | 1    |
| Timber                   | C74                | Beam 740 mm  | 1    |

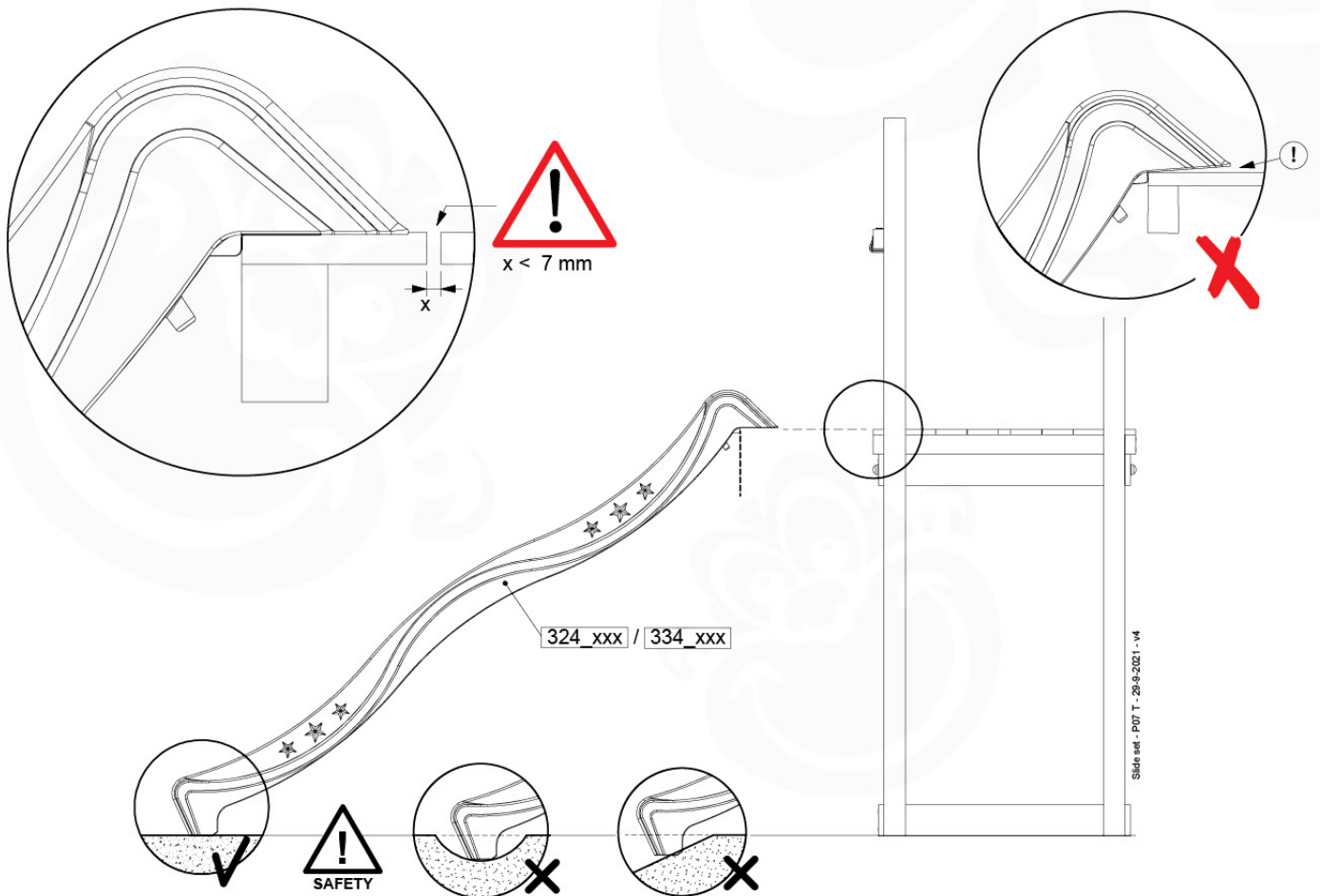
Slide set - P02 - 29-9-2021 - v4



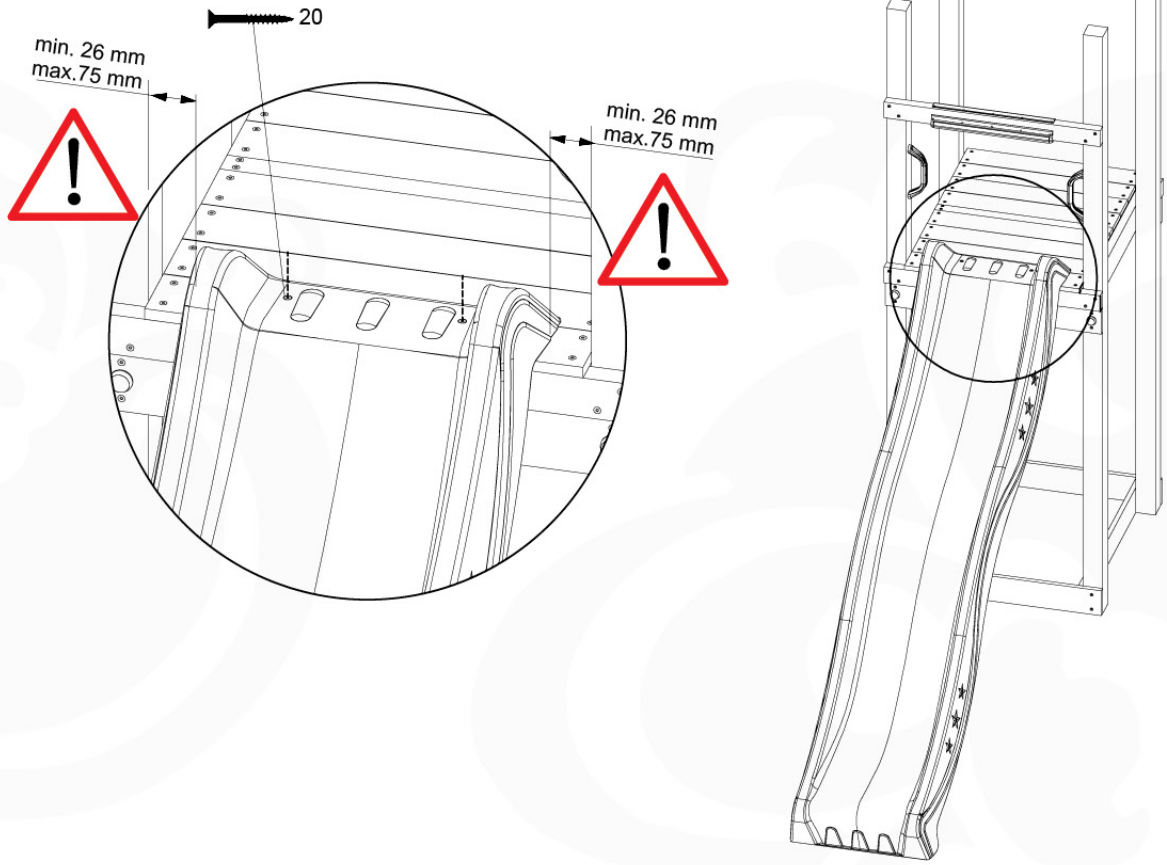
# 18-1



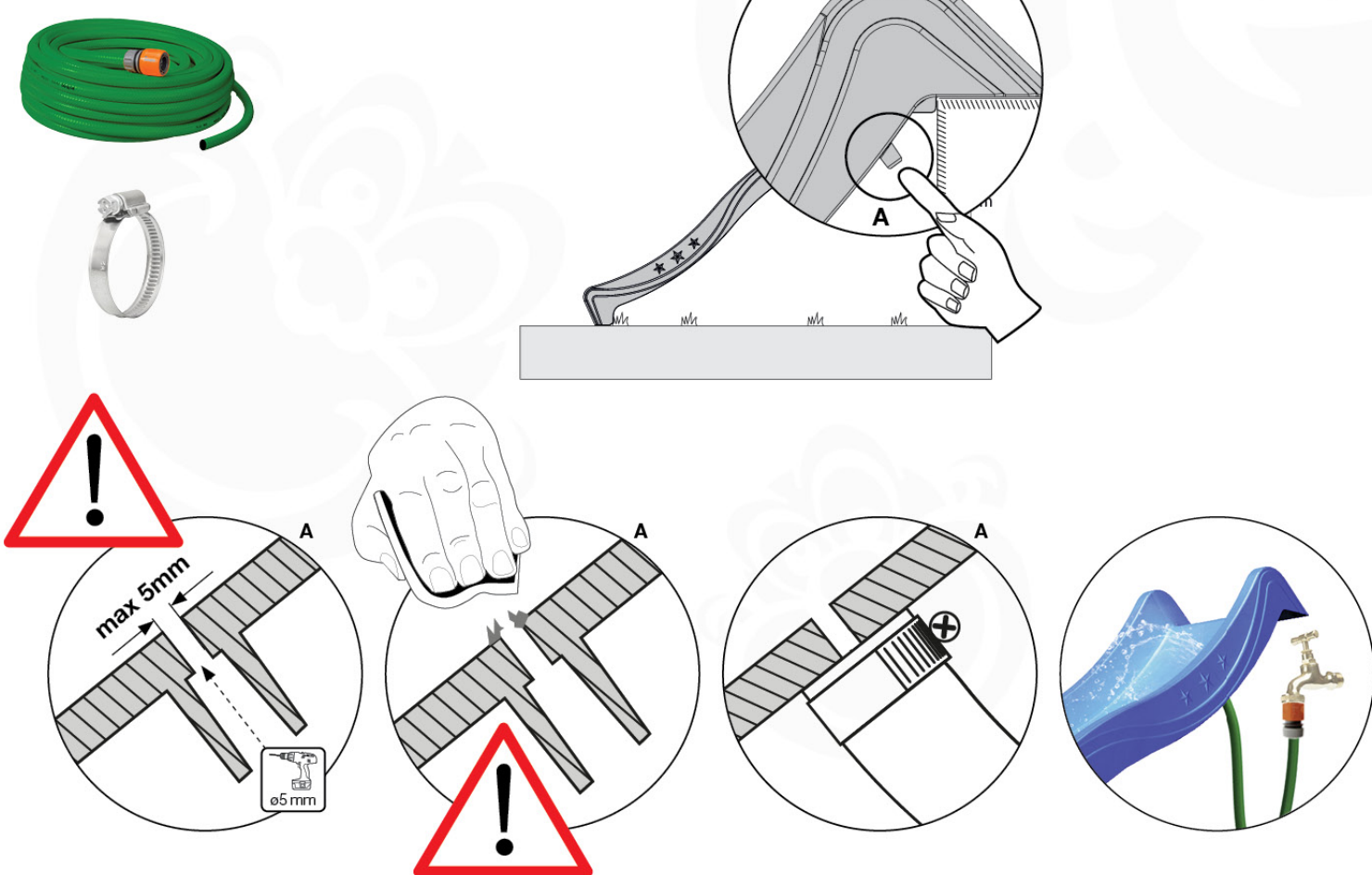
# 18-2



# 18-3



# 18-4



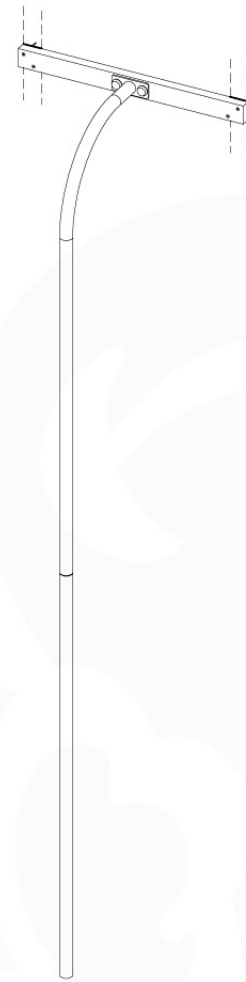
# 19 Firemans Pole

## FP02

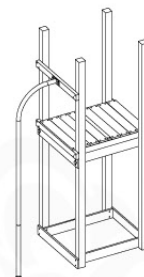
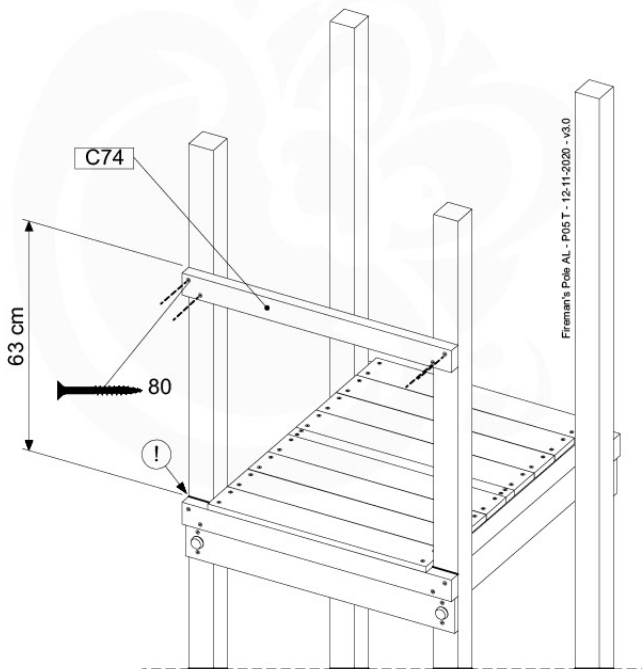
( 201\_275 )

|                          | PartNo  | PartName                   | QTY. |
|--------------------------|---------|----------------------------|------|
| Hardware Pack<br>100_346 | 001_103 | M8 Washer Head Screw 40mm  | 2    |
|                          | 002_223 | Gap Point Screw T25 - 5x80 | 4    |
|                          | 003_010 | M8 spring lock washer      | 2    |
|                          | 003_040 | M8 Washer                  | 2    |
|                          | 004_052 | M8 Drive-in Nut 30mm       | 2    |
|                          | 004_054 | M8 Drive-in Nut 45mm       | 2    |
|                          | 022_31x | bpc-base version 3         | 2    |
|                          | 022_84x | bpc cover                  | 2    |
| Other                    | 102_915 | Fireman's Pole             | 1    |
| Timber                   | C74     | Beam 740 mm                | 1    |

Fireman's Pole AL - P03 T - 12-11-2020 - v3.0



## 19-1



Fireman's Pole (201\_275)  
040\_335 Part 2

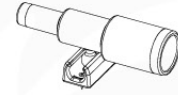
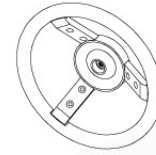
# 20 Accessories

AC01

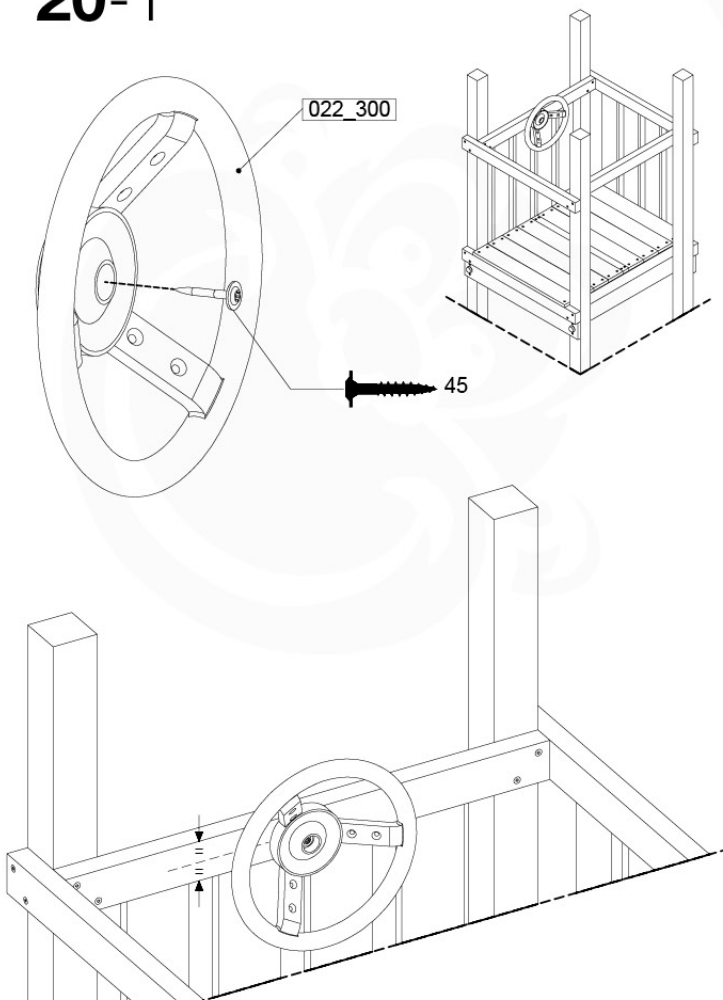
( 194\_119 )

|                          | PartNo  | PartName                    | QTY. |
|--------------------------|---------|-----------------------------|------|
| Hardware Pack<br>100_617 | 001_406 | Stealth Screw 8x45          | 1    |
|                          | 002_041 | Dome head screw 4.5 x 20 mm | 3    |
|                          | 002_042 | Dome head screw 3.5 x 13mm  | 4    |
|                          | 002_219 | Gap Point Screw T25 - 5x30  | 2    |
| Other                    | 022_300 | Steering Wheel              | 1    |
|                          | 022_800 | Rail P/T 105                | 1    |
|                          | 022_910 | Sandpad                     | 1    |
|                          | 103_901 | Logo ID Plate               | 1    |
|                          | 104_107 | Tool Set Climbing Units     | 1    |
|                          | 120_024 | Tower Flag                  | 1    |
|                          | 122_302 | Telescope                   | 1    |

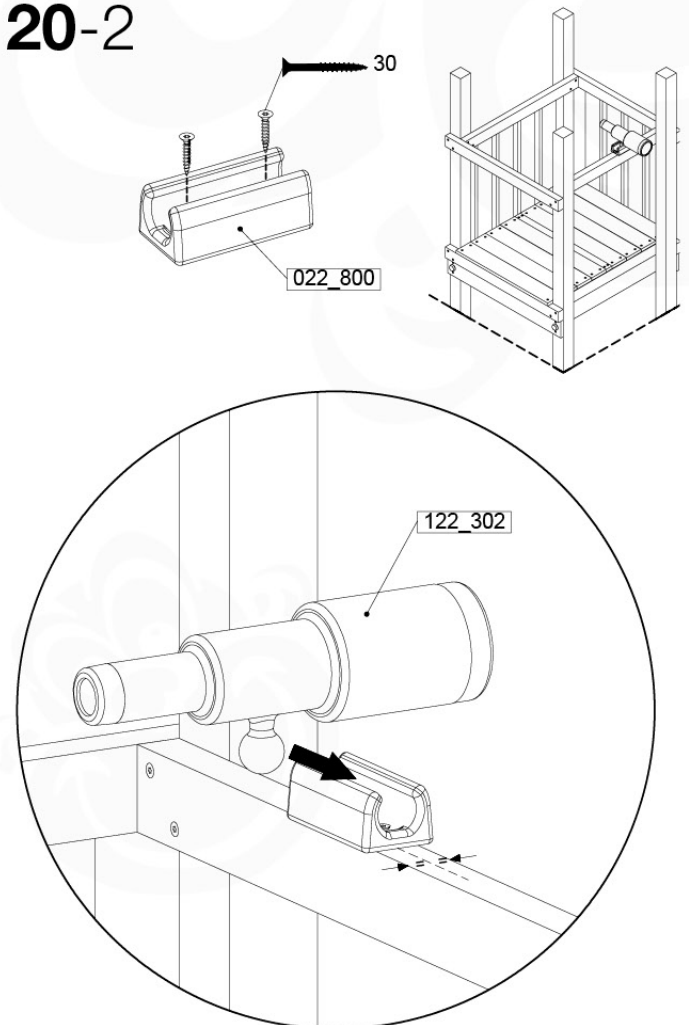
Accessory set - P02 - 28-9-2021 - 14



## 20-1



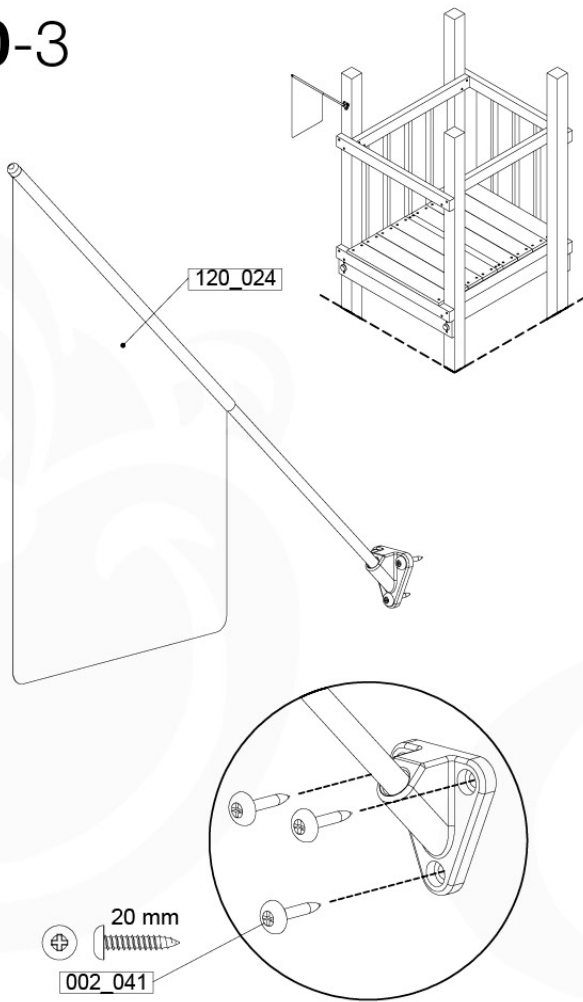
## 20-2



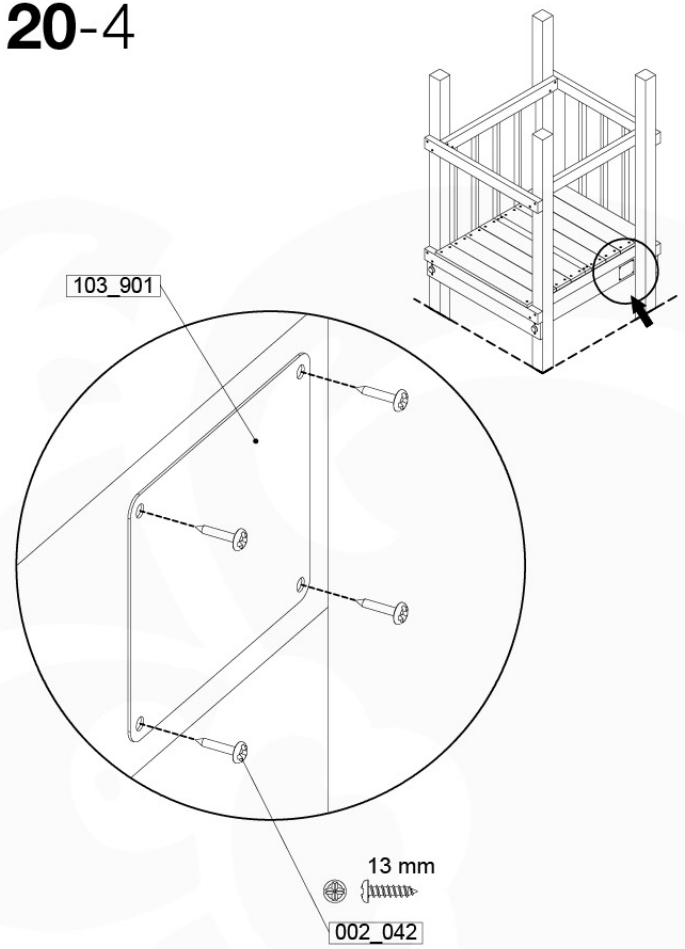
Accessory set - P03 - 28-9-2021 - 14



# 20-3



# 20-4



Accessories set - P04 - 29-9-2021 - v4

# 20-5

1x  
022\_910

