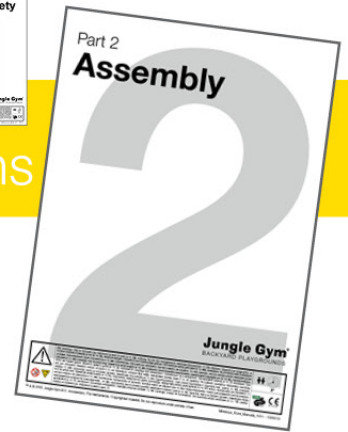


# Part 2

# Assembly

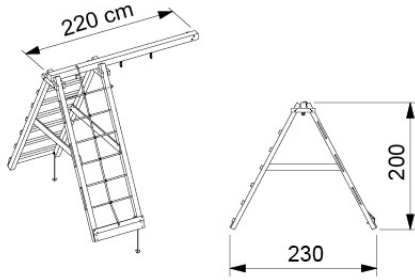
## Climb Module

Instructions



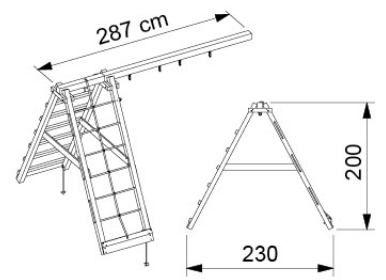
### 1-Climb Module 200

857\_105 / 857\_107



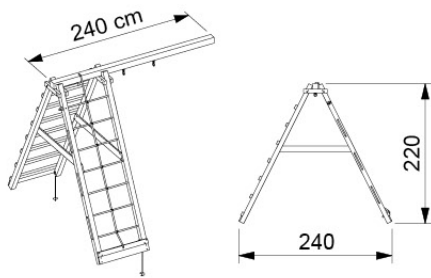
### 2-Climb Module 200

857\_106 / 857\_108



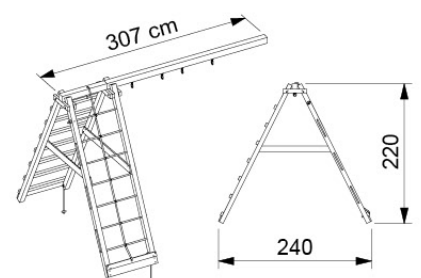
### 1-Climb Module 220

857\_157



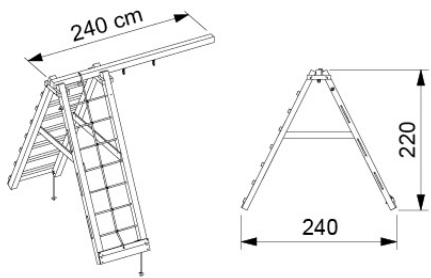
### 2-Climb Module 220

857\_158



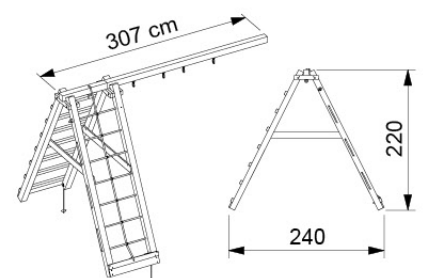
### 1-Climb Module 220 Extra

850\_231



### 2-Climb Module 220 Extra

850\_232



# Jungle Gym

BACKYARD PLAYGROUNDS

since 1988

|  | 1 position | 2 positions |  | 1 position | 2 positions |
|--|------------|-------------|--|------------|-------------|
| EN. Warnings. Only for domestic use. Maximum number of users is:                                     | 3          | 4           | LT. Įspėjimai. Tik butiniam naudojimui. Maksimalus naudotojų skaičius :            | 3          | 4           |
| DE. Achtung. Nur für den Hausgebrauch. Maximale Benutzerzahl:  | 3          | 4           | HR. Upozorenja. Samo za kućansku uporabu. Maksimalan broj korisnika je :           | 3          | 4           |
| FR. Attention. Réservé à un usage familial. Le nombre maximal d'utilisateurs est de :                | 3          | 4           | HU. Figyelmeztetések. Csak otthoni használatra! A használók max. száma: :          | 3          | 4           |
| NL. Waarschuwingen. Uitsluitend voor huishoudelijk gebruik. Het maximale aantal gebruikers is:       | 3          | 4           | NO. Advarsler. Kun for privat bruk. Maksimalt antall brukere er :                  | 3          | 4           |
| BG. Внимание. За употреба само в домашни условия. Максималният брой потребители е:                   | 3          | 4           | PL. Ostrzeżenia. Wyłącznie do użytku domowego. Maksymalna liczba użytkowników to : | 3          | 4           |
| ES. Advertencias. Sólo para uso doméstico. Número máximo de usuarios:                                | 3          | 4           | PT. Avisos. Apenas para uso doméstico. O número máximo de utilizadores é :         | 3          | 4           |
| CS. Varování. Jen pro domácí použití. Maximální počet uživatelů je :                                 | 3          | 4           | RO. Avertismente. Numai pentru uz domestic. Numărul maxim de utilizatori este :    | 3          | 4           |
| DA. Advarsler. Kun til privat brug. Maksimum antal brugere er :                                      | 3          | 4           | RU. Предостережения. Только для домашнего использования.                           | 3          | 4           |
| ET. Hoiatused. Ainult koduseks kasutamiseks. Maksimaalne kasutajate arv on :                         | 3          | 4           | Максимальное количество пользователей :  | 3          | 4           |
| EL. Προειδοποιήσεις. Μόνο για οικιακή χρήση. Μέγιστος αριθμός χρηστών :                              | 3          | 4           | SK. Upozornenia. Iba na domáce použitie. Maximálne množstvo osôb je :              | 3          | 4           |
| IS. Varnaðarorð. Eingöngu fyrir einkanoðkun í heimahúsum og á einkalóðum. Hámarksfjöldi notenda er : | 3          | 4           | SL. Opozorila. Samo za domačo uporabo. Maksimalno število uporabnikov je :         | 3          | 4           |
| IT. Avvertenze. Solo per uso domestico. Massimo numero di utenti è :                                 | 3          | 4           | FI. Varoitukset. Ainoastaan kotikäyttöön. Käyttäjää yhteensä enintään :            | 3          | 4           |
| LV. Brīdinājumi. Izmantot tikai mājās. Maksimālais lietotāju skaits ir :                             | 3          | 4           | SR. Upozorenja. Samo za kućnu uporabu. Maksimalan broj korisnika je :              | 3          | 4           |
|  |            |             | SV. Varningar. Endast för hemmabruk. Det maximala antalet användare är :           | 3          | 4           |
|  |            |             | TR. Uyarılar. Sadece ev kullanımı için. Maksimum kullanıcı sayısı :                |            |             |

# 01 What's in the Delivery?

457\_106

|   |                       |   |  |                                     |
|---|-----------------------|---|--|-------------------------------------|
| <p>1x<br/>040_805<br/>General Safety</p> <p>1x<br/>040_172<br/>Assembly</p> | <p>7x<br/>022_455</p> | <p>2x<br/>005_528</p> <p><b>Module</b></p>                        | <p>2x<br/>005_529</p> <p><b>Module Extra</b></p> | <p>1x<br/>020_317</p> <p>3,40 m</p> |
| <p>2x<br/>007_001</p>   | <p>4x<br/>101_003</p> | <p>1x<br/>008_010<br/>ø7 mm</p> <p>1x<br/>104_403<br/>ø7,5 mm</p> | <p>1x<br/>100_161</p>                            | <p>1x<br/>020_318</p> <p>8,10 m</p> |

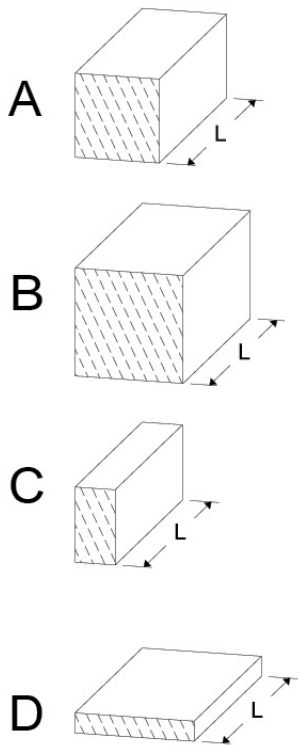
## 02 Hardware

100\_161 HWP Climb module

20211025

|         |            |  |             |         |           |  |      |
|---------|------------|--|-------------|---------|-----------|--|------|
| 001_422 | <b>6x</b>  |  | ø8 x 137mm  | 023_031 | <b>4x</b> |  | ø5mm |
| 001_417 | <b>8x</b>  |  | ø8 x 80mm   | 120_005 | <b>2x</b> |  | M8   |
| 001_406 | <b>4x</b>  |  | ø8 x 45mm   |         |           |  |      |
| 002_223 | <b>47x</b> |  | ø5 x 80mm   |         |           |  |      |
| 002_220 | <b>43x</b> |  | ø5 x 45mm   |         |           |  |      |
| 002_301 | <b>7x</b>  |  | ø3.9 x 40mm |         |           |  |      |

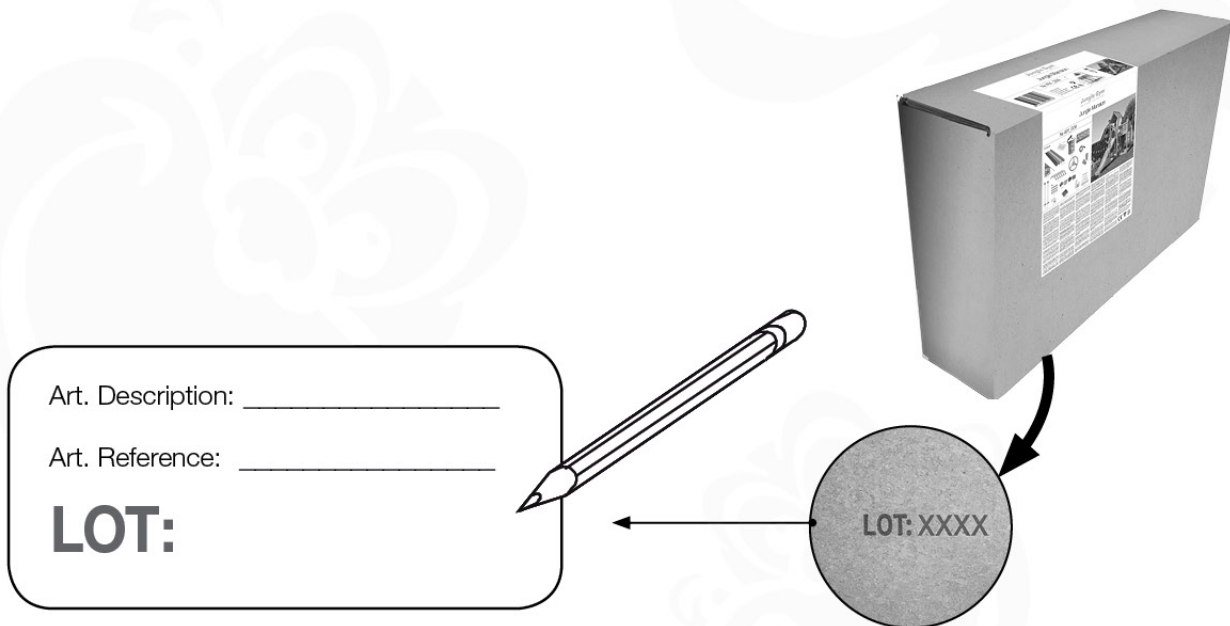
# 03 Timber



|      |               | 1-Climb Module<br>200 |     | 2-Climb Module<br>200 |         | 1-Climb Module<br>220 |         | 2-Climb Module<br>220 |         | 1-Climb Module<br>220 Extra |  | 2-Climb Module<br>220 Extra |  |
|------|---------------|-----------------------|-----|-----------------------|---------|-----------------------|---------|-----------------------|---------|-----------------------------|--|-----------------------------|--|
|      |               | L                     |     | 657_105               | 657_106 | 657_155               | 657_156 | 650_231               | 650_232 |                             |  |                             |  |
| A240 | 239cm - 240cm | 4 x                   | 4 x |                       |         | 4 x                   | 4 x     |                       |         |                             |  |                             |  |
| A220 | 219cm - 220cm | 4 x                   | 4 x |                       |         |                       |         |                       |         |                             |  |                             |  |
| B240 | 239cm - 240cm | 1 x                   | 1 x |                       |         | 1 x                   | 1 x     | 5 x                   | 5 x     |                             |  |                             |  |
| B220 | 219cm - 220cm | 1 x                   | 1 x |                       |         |                       |         |                       |         |                             |  |                             |  |
| B67  | 66cm - 67cm   |                       | 1 x |                       |         |                       | 1 x     |                       |         |                             |  | 1 x                         |  |
| C74  | 73cm - 74cm   | 7 x                   | 7 x |                       |         | 8 x                   | 8 x     | 8 x                   | 8 x     |                             |  |                             |  |
| C37  | 36cm - 37cm   | 4 x                   | 5 x |                       |         | 4 x                   | 5 x     | 4 x                   | 5 x     |                             |  |                             |  |
| D141 | 140cm - 141cm | 3 x                   | 3 x |                       |         | 3 x                   | 3 x     | 3 x                   | 3 x     |                             |  |                             |  |
| D74  | 73cm - 74cm   | 2 x                   | 2 x |                       |         | 2 x                   | 2 x     | 2 x                   | 2 x     |                             |  |                             |  |

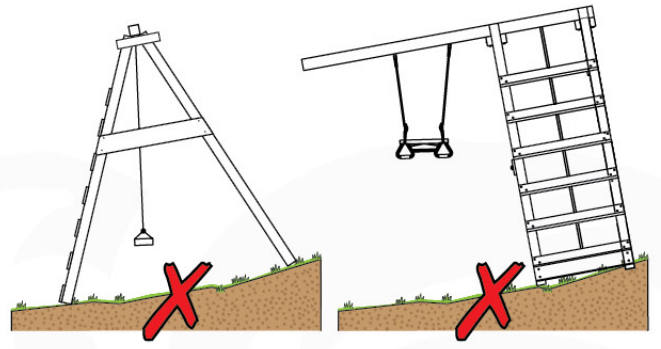
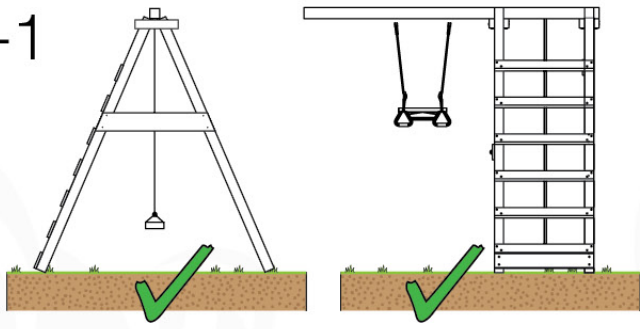
26-Oct-2021

# 04 Product ID

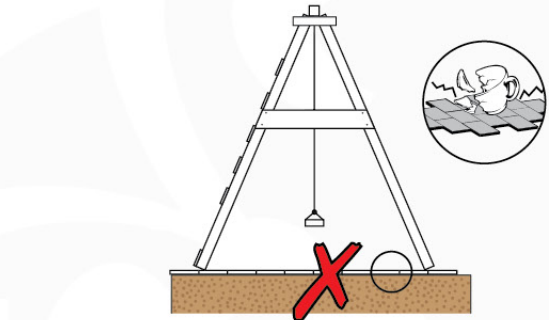
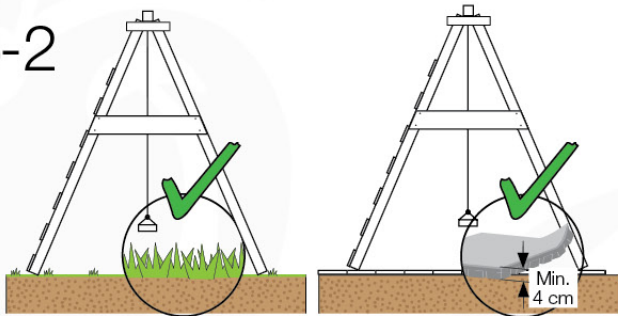


# 05 Safe Playground Planning

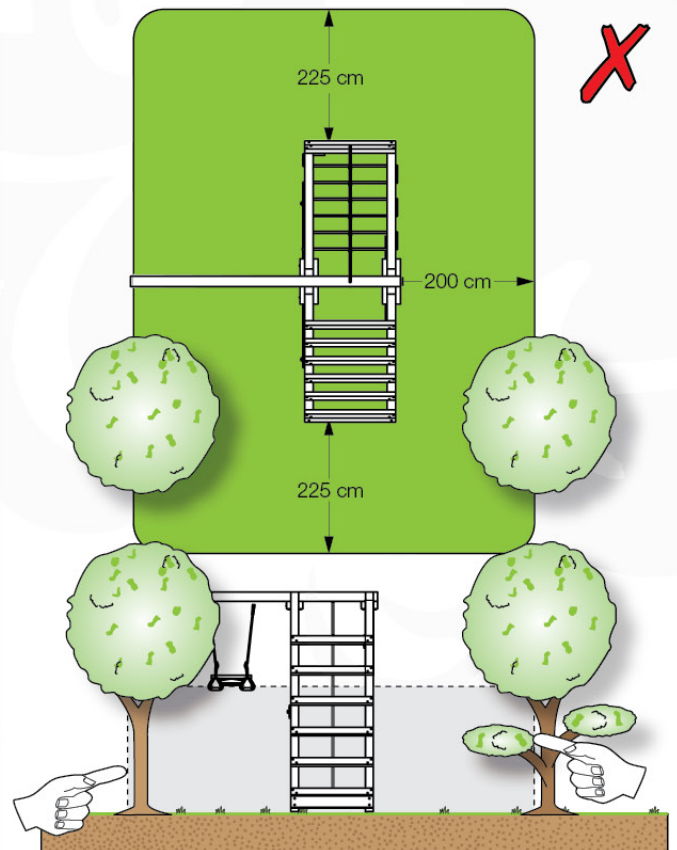
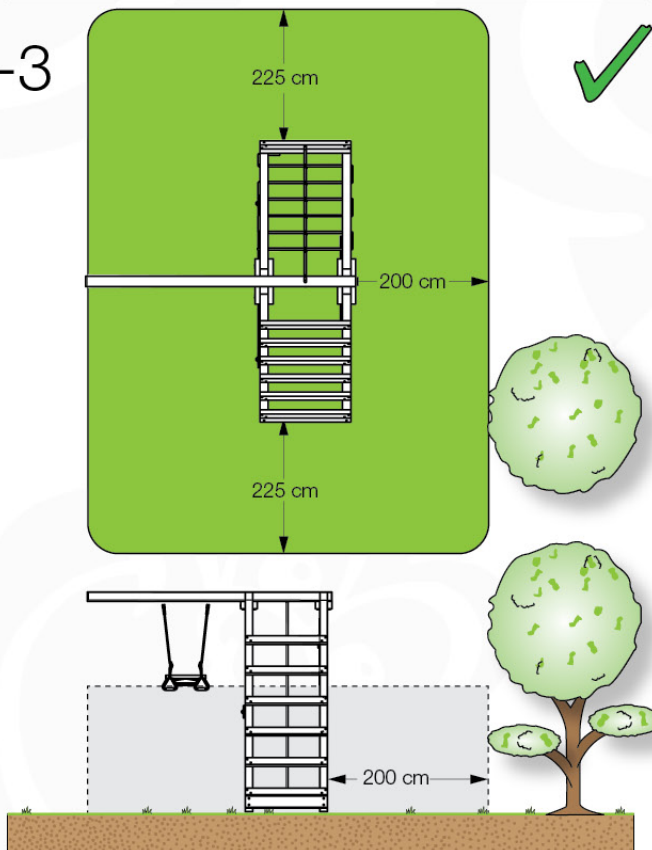
05-1



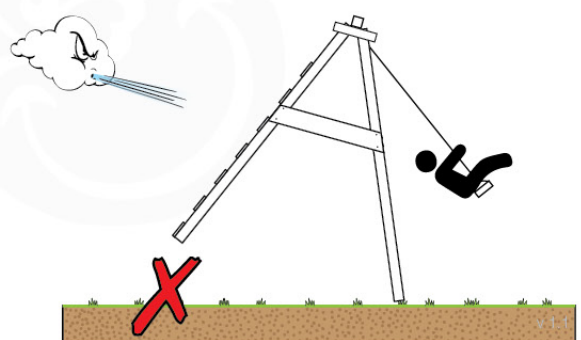
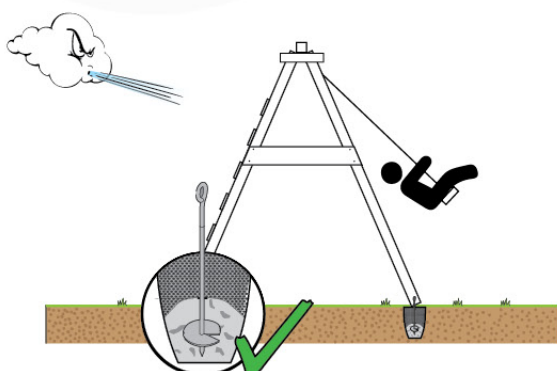
05-2



05-3

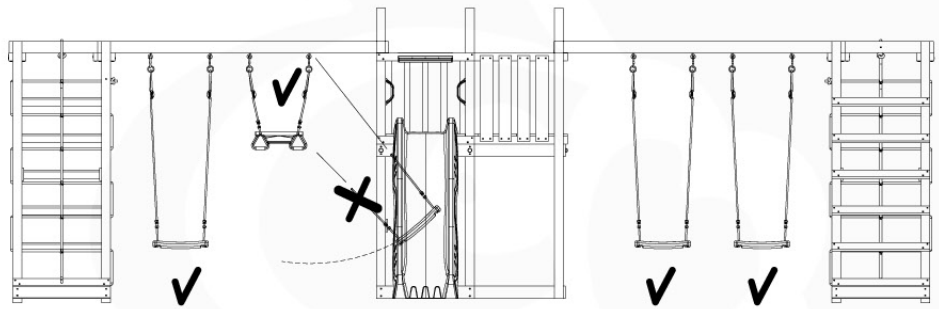
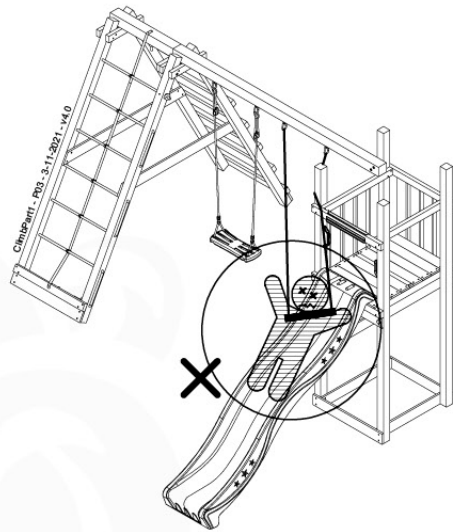


05-4

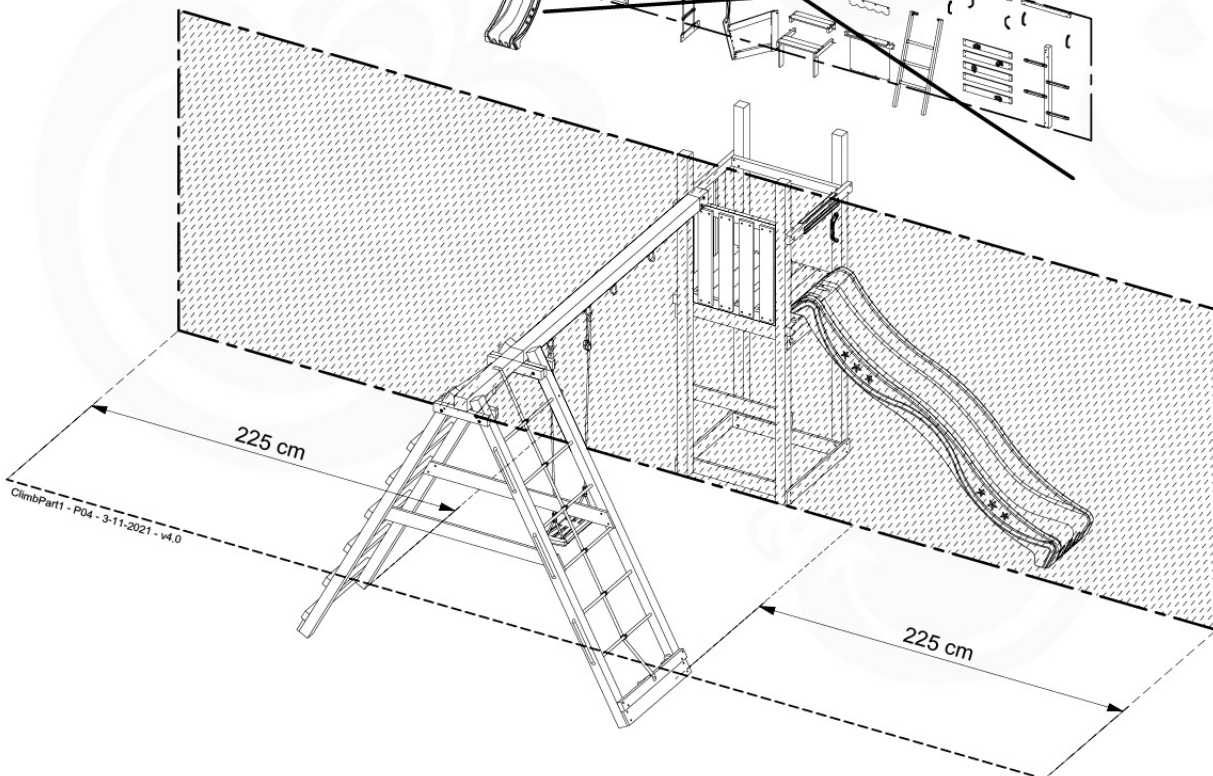
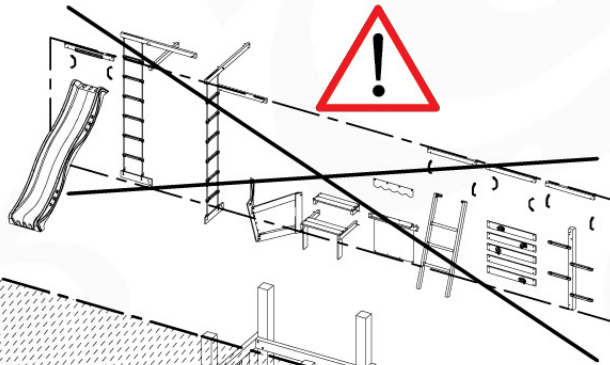




# 05-5



# 05-6

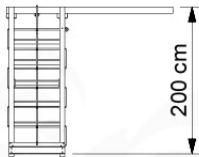


# 06

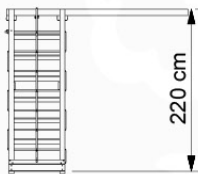
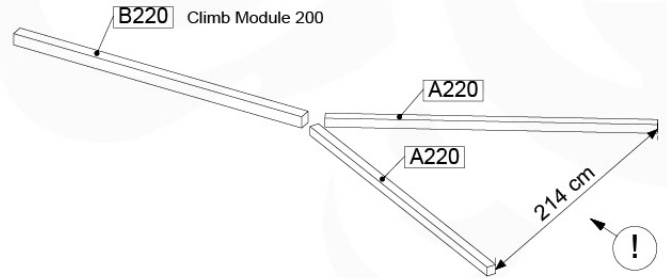
|               | PartNo  | PartName                       | QTY. |
|---------------|---------|--------------------------------|------|
| Hardware Pack | 001_406 | Stealth Screw 8x45             | 2    |
|               | 001_417 | Stealth Screw 8x80             | 8    |
|               | 001_422 | Stealth Screw 8x137            | 6    |
|               | 002_220 | Gap Point Screw T25 - 5x45     | 43   |
|               | 002_223 | Gap Point Screw T25 - 5x80     | 45   |
|               | 002_301 | Dry Wall Screw PH2 3.9 x 40 mm | 7    |
| Other         | 005_528 | Swing Beam Bracket 7x7         | 2    |
|               | 005_529 | Swing Beam Bracket 9x9         | 2    |
|               | 007_001 | Ground-anchor                  | 2    |
|               | 020_317 | Rope Polyester 16mm Green 3.4m | 1    |
|               | 020_318 | Rope Polyester 16mm Green 8.1m | 1    |
|               | 022_455 | Rope Cross Connector Egg       | 7    |
|               | 023_031 | Finishing Washer GPS 5.0       | 4    |
|               | 101_003 | Swing hook with Carabiner      | 4    |

ClimbPart1 - Pkg - 3-11-2021 - v4.0

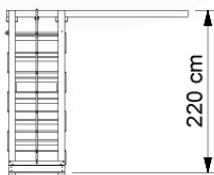
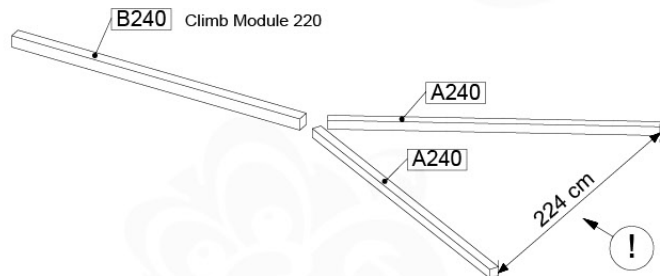
## 06-1



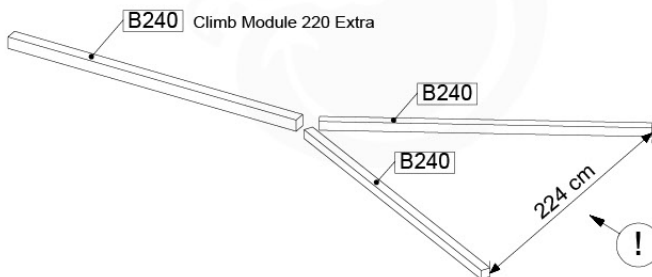
1-Climb Module 200  
2-Climb Module 200



1-Climb Module 220  
2-Climb Module 220

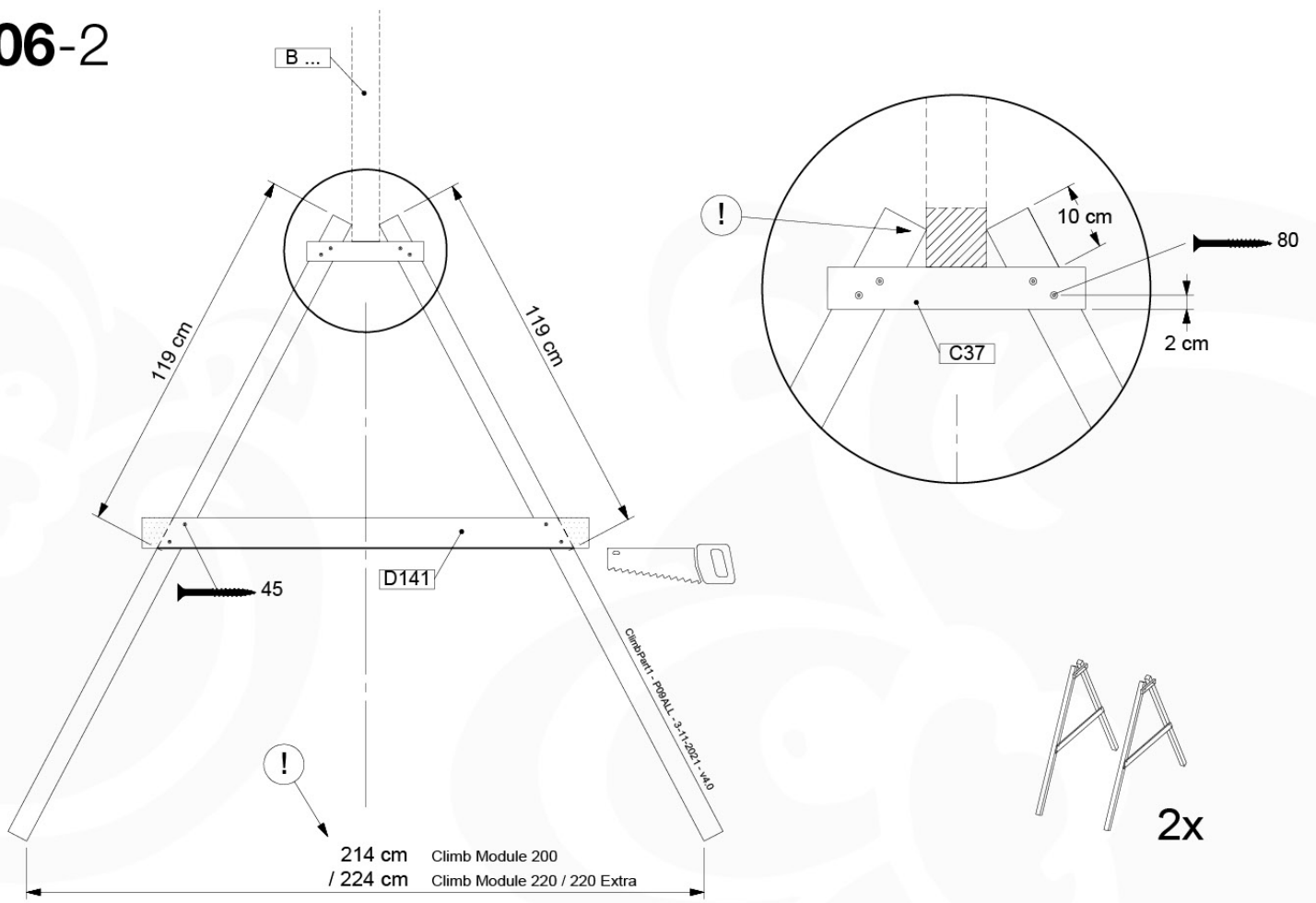


1-Climb Module 220 Extra  
2-Climb Module 220 Extra

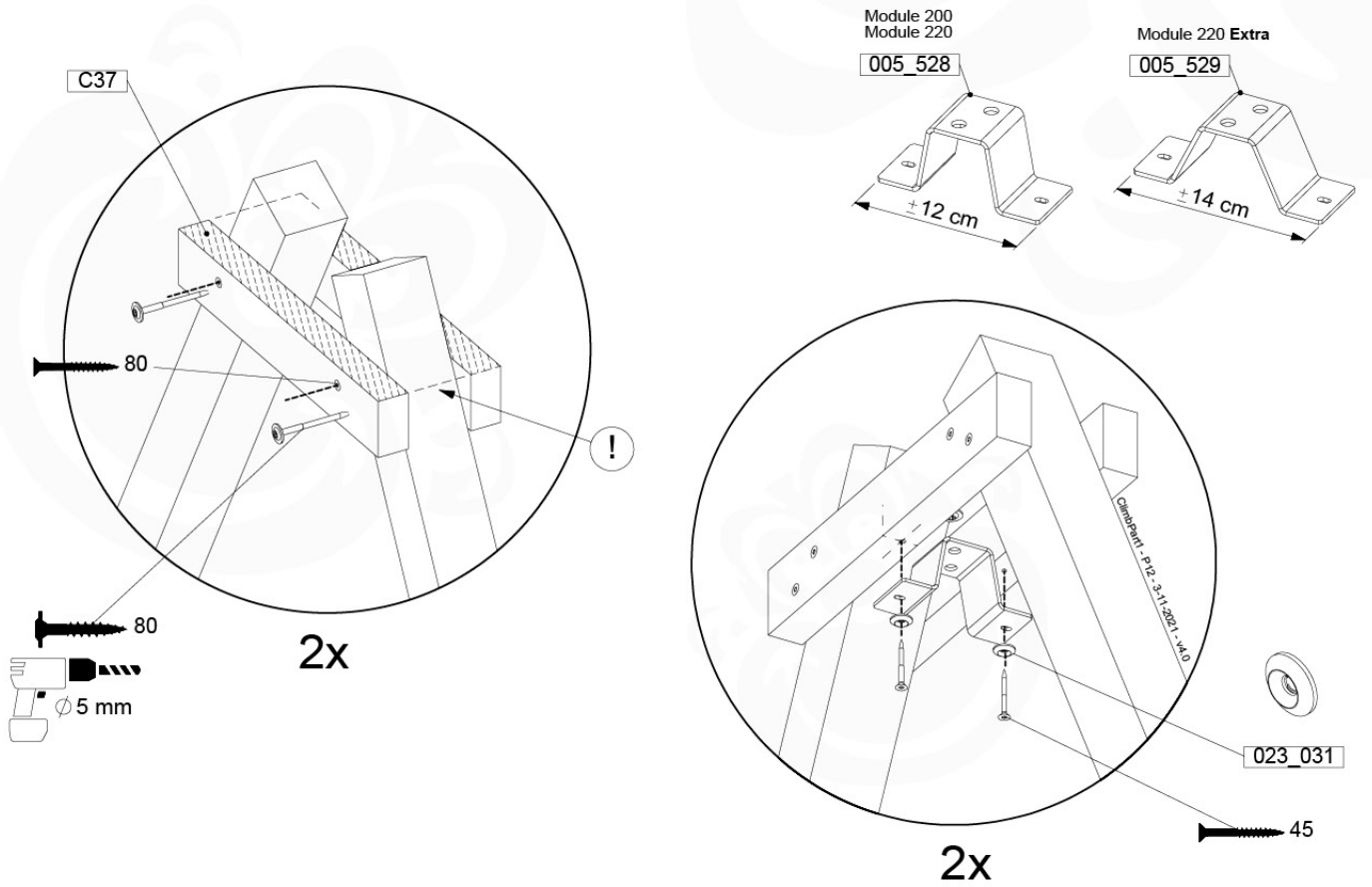


ClimbPart1 - PkgALL - 3-11-2021 - v4.0

# 06-2

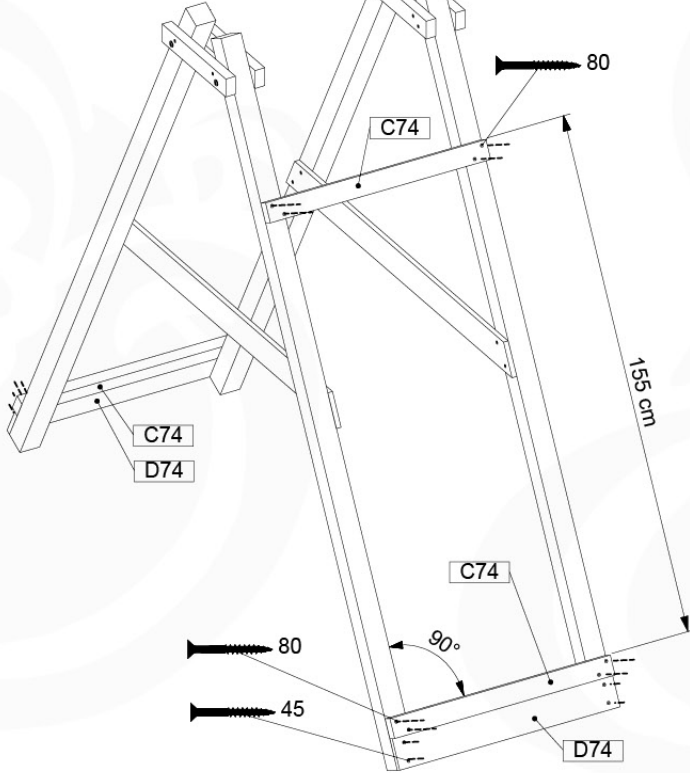


# 06-3

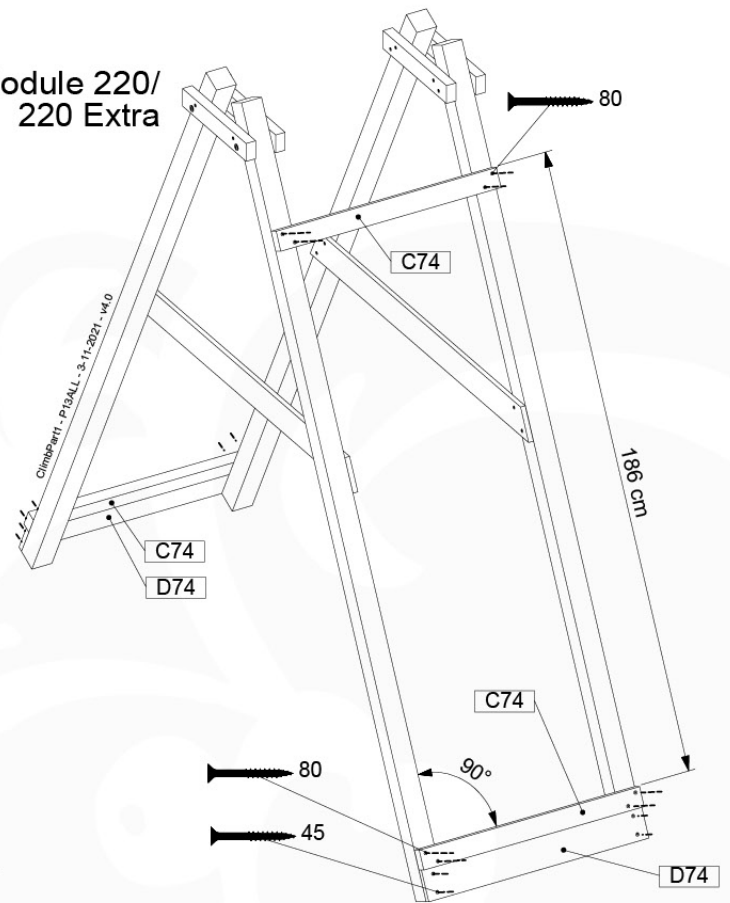


# 06-4

Climb Module 200

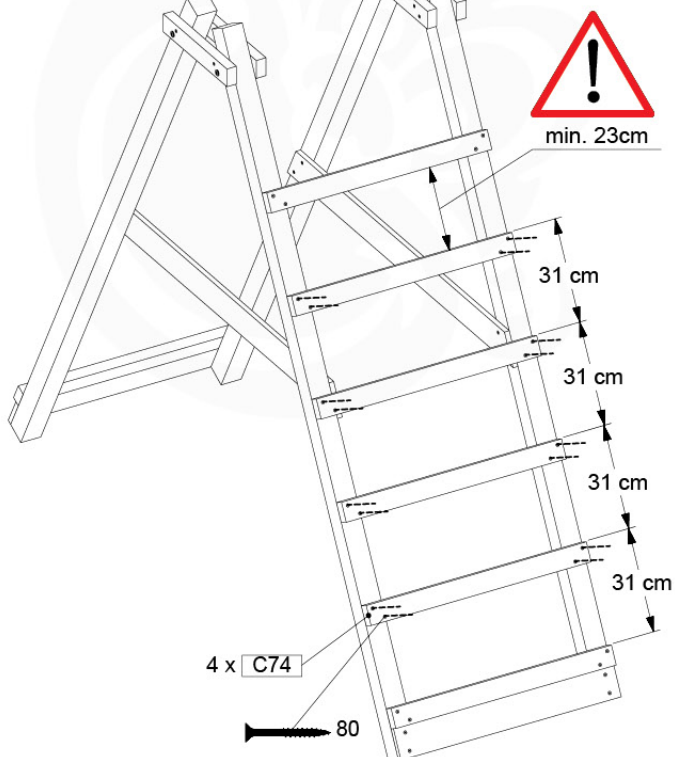


Climb Module 220 / 220 Extra

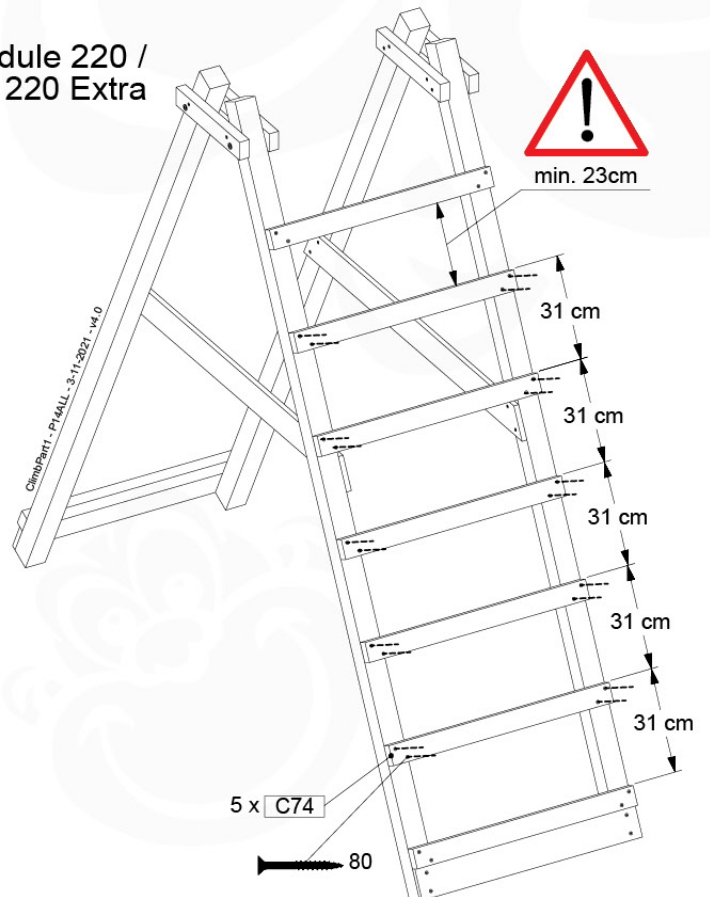


# 06-5

Climb Module 200

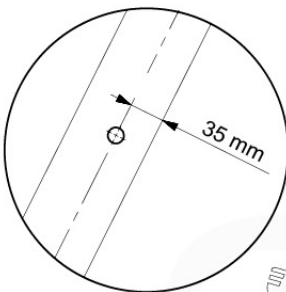


Climb Module 220 / 220 Extra

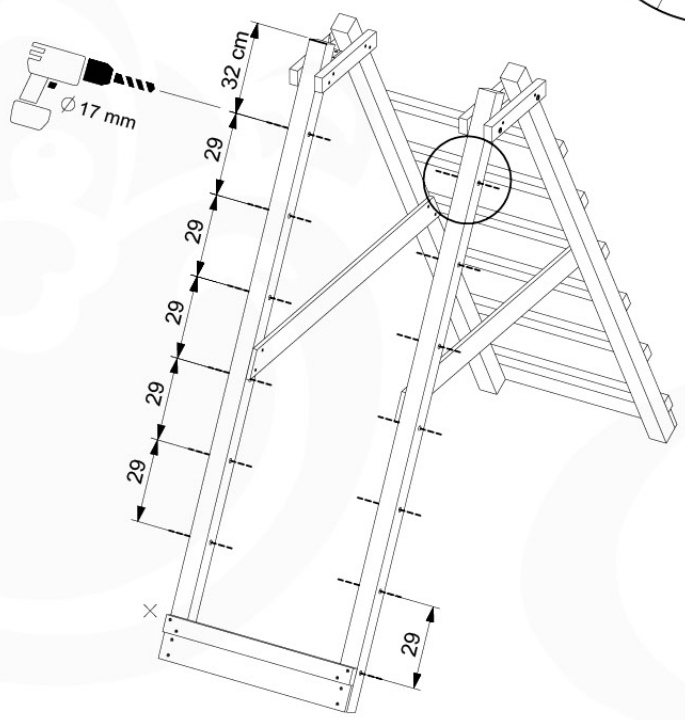




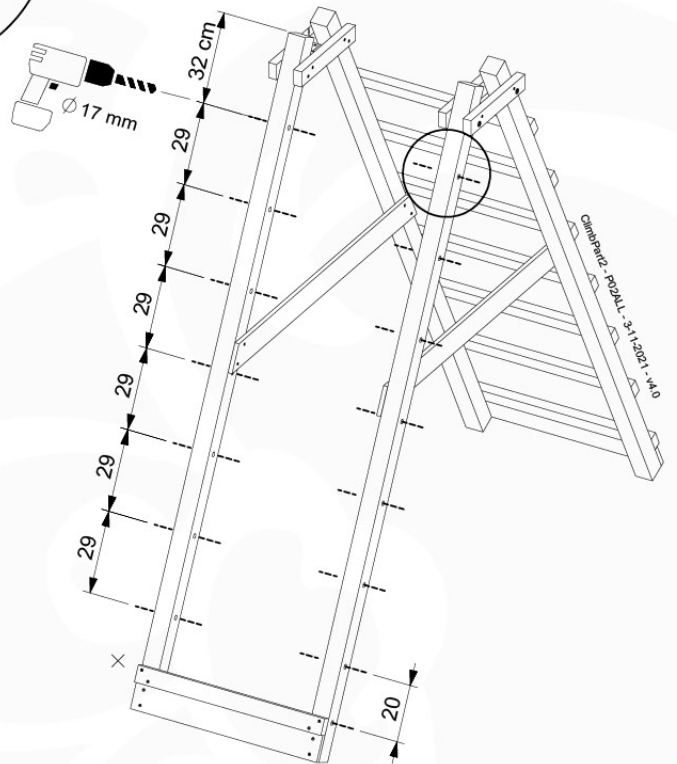
# 06-6



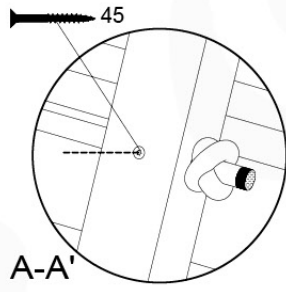
Climb Module 200



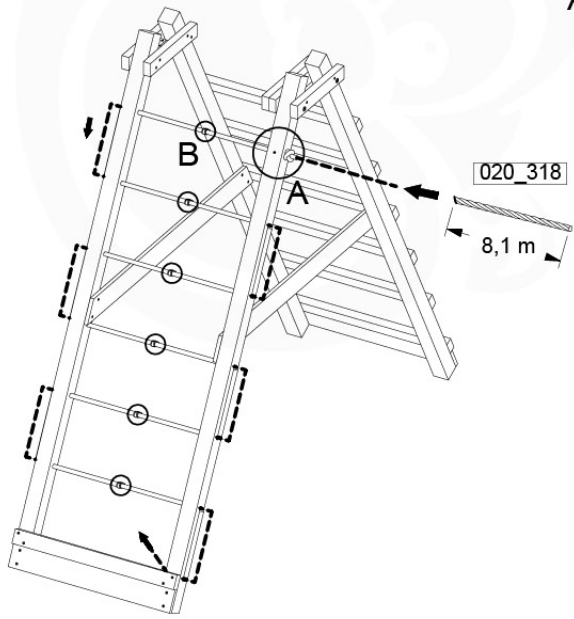
Climb Module 200 / 220 Extra



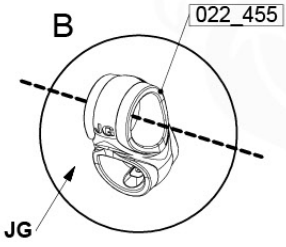
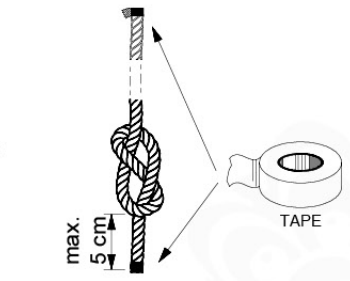
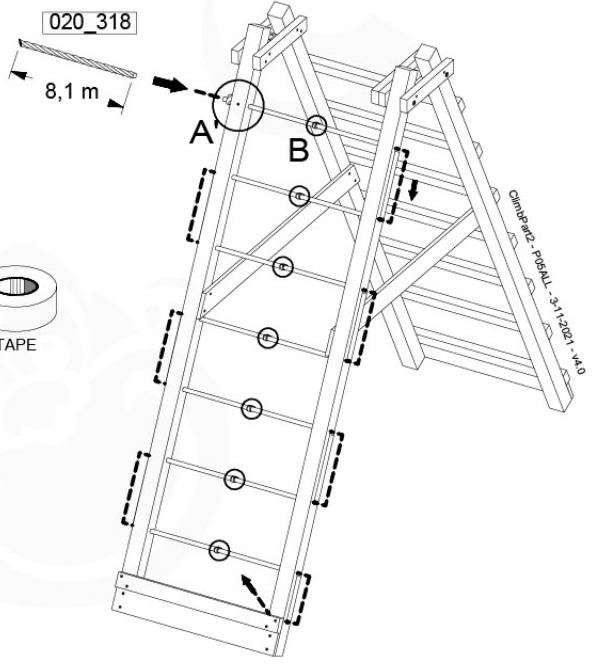
# 06-7



Climb Module 200

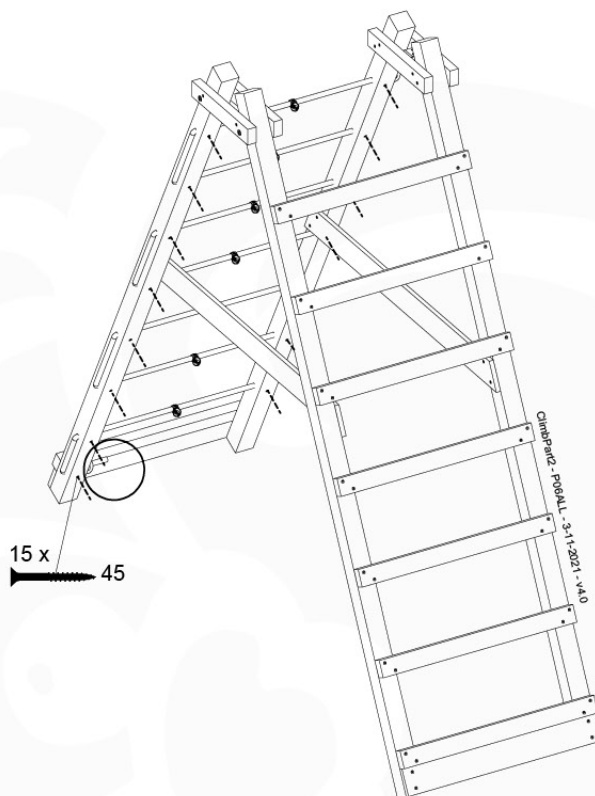
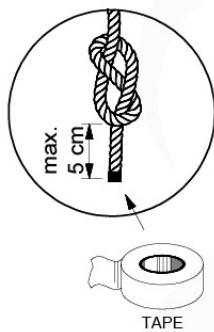
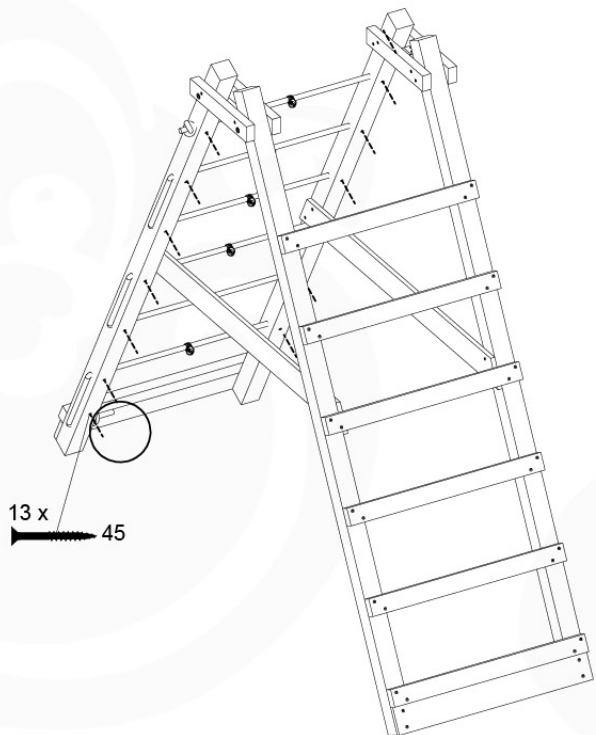


Climb Module 200 / 220 Extra



6-7x

Climb Module 200

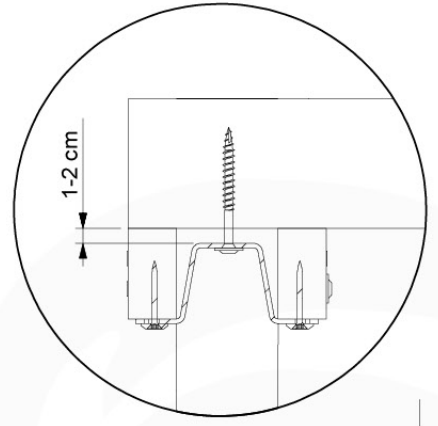


# 06-9

B240  
B220



1 position



B240  
B220

ClimbPart2 - P09-1P - 3-11-2021 - v4.0

2 x 80

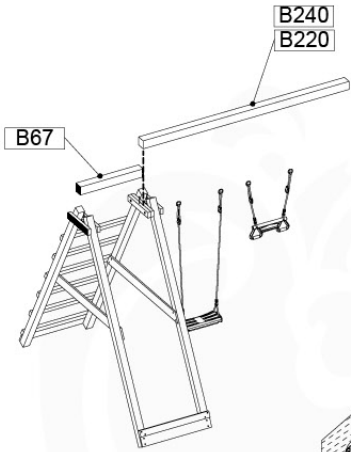


Ø 5 mm

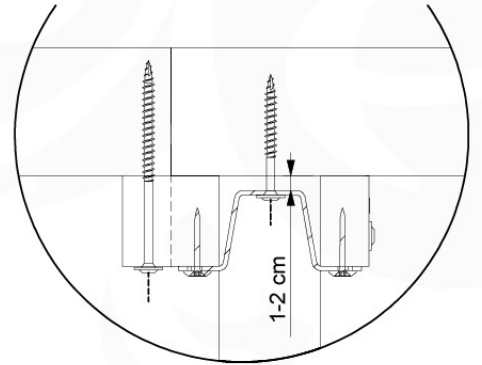


Ø 5 mm

2 x 80



2 positions



B240  
B220

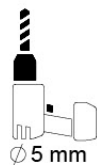
B67

B67

ClimbPart2 - P10-2P - 3-11-2021 - v4.0

2 x 137

2 x 80



Ø 5 mm



Ø 5 mm

C37

2 x 80

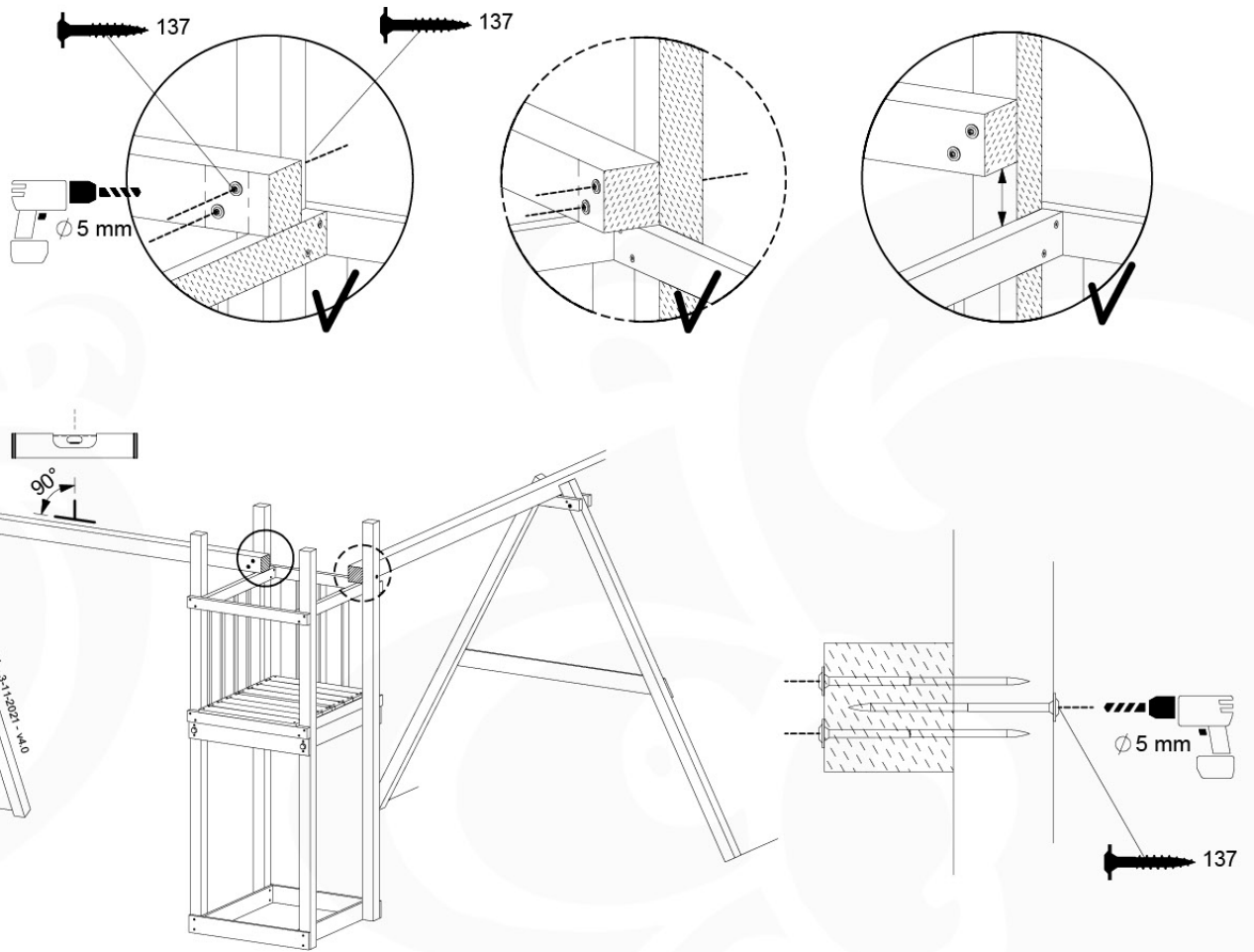
137



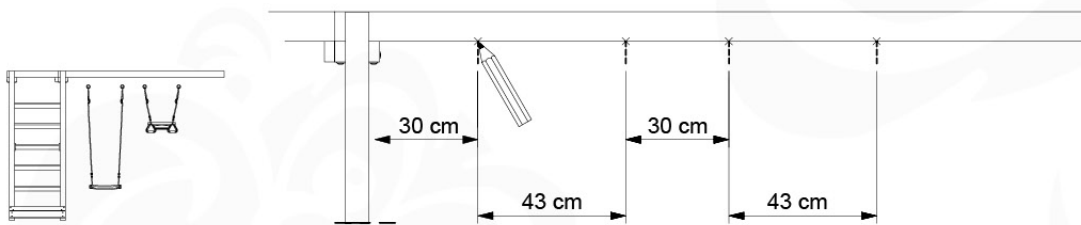
Ø 5 mm

B240  
B220

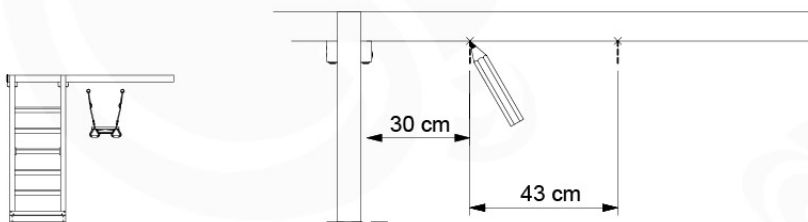
# 06-10



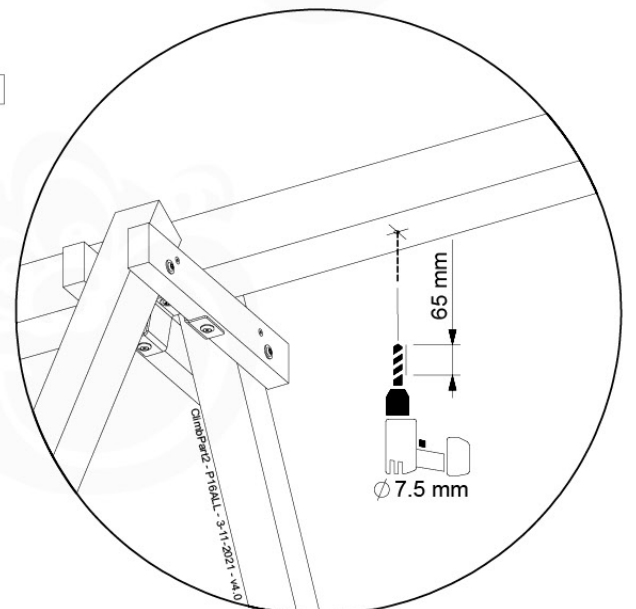
# 06-11



2 positions



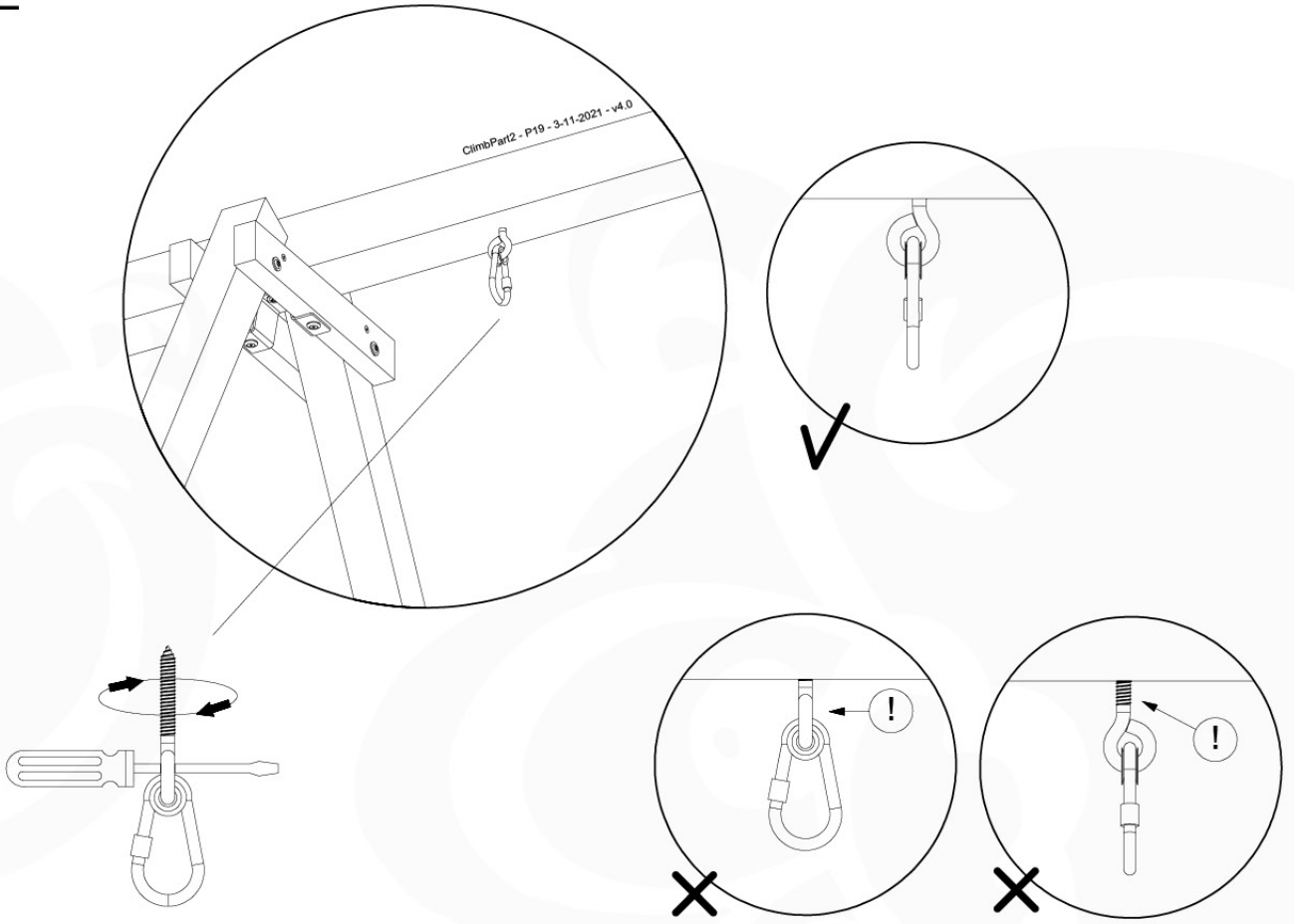
1 position



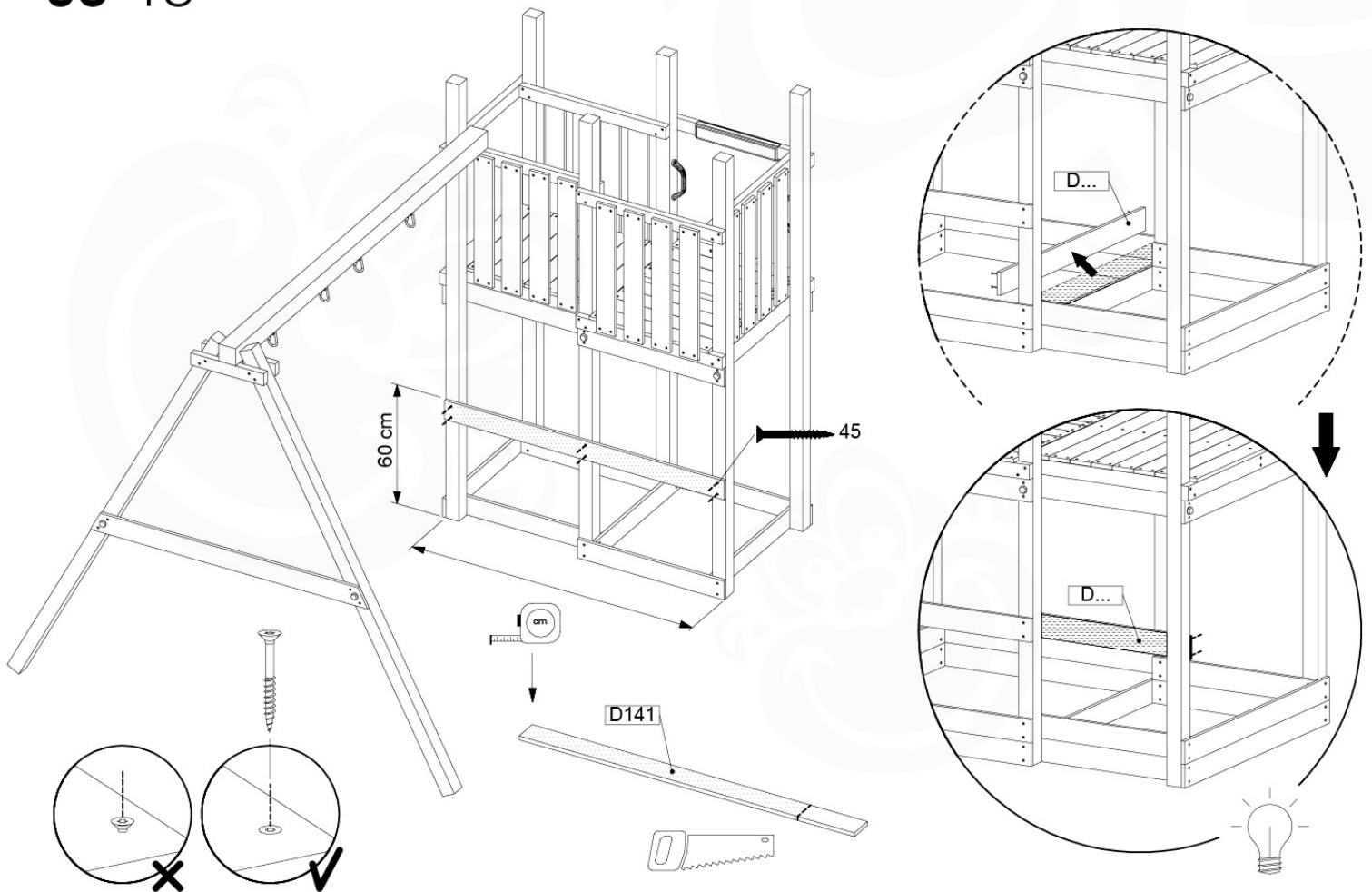


# 06-12

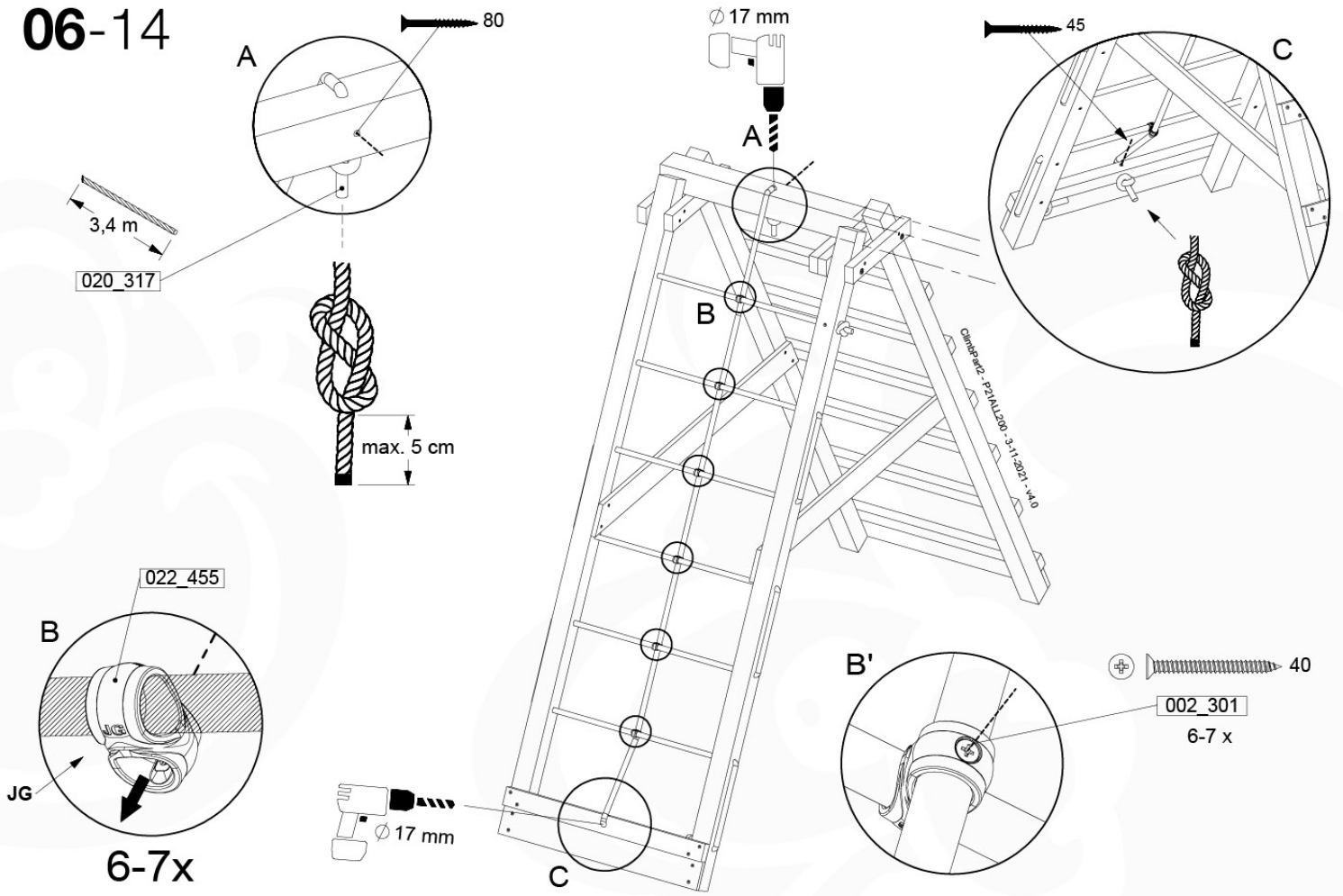
2/4 x  
101\_003



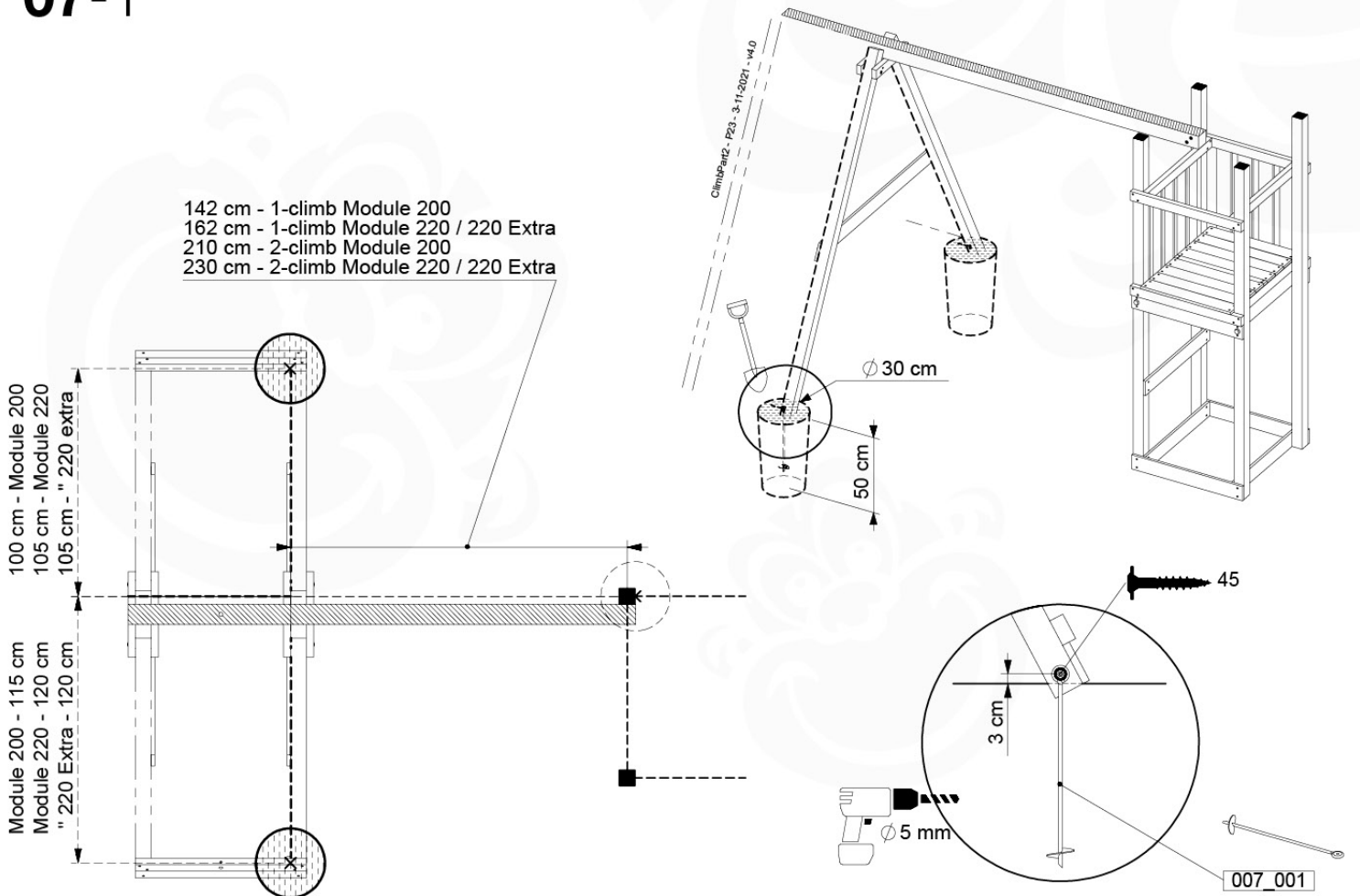
# 06-13



# 06-14



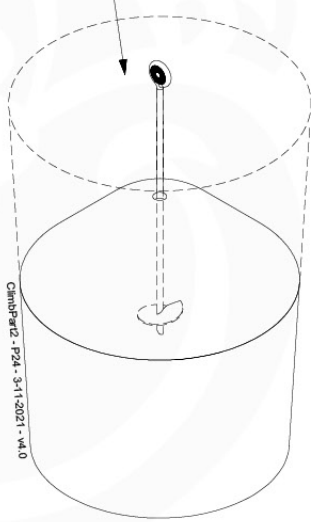
# 07-1



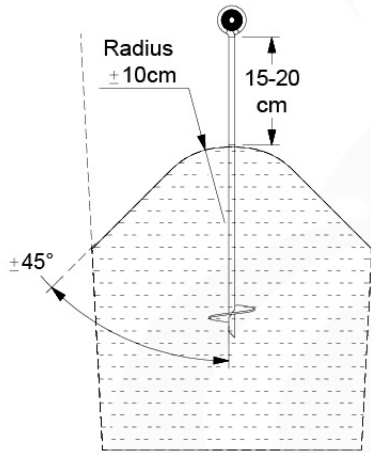
# 07-2



20 L / 40 kg



1.

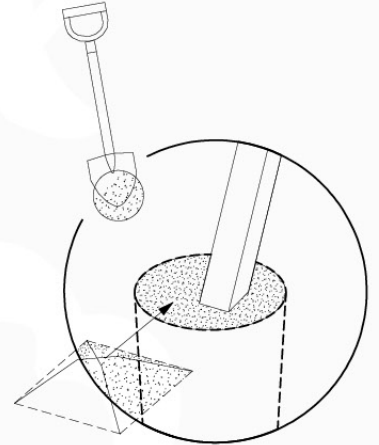


2.

24h

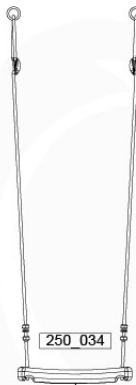


3.



4.

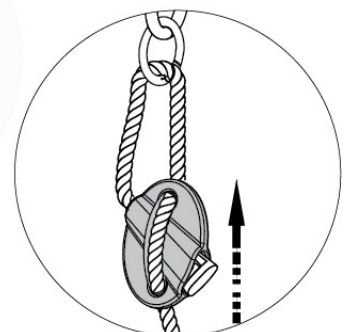
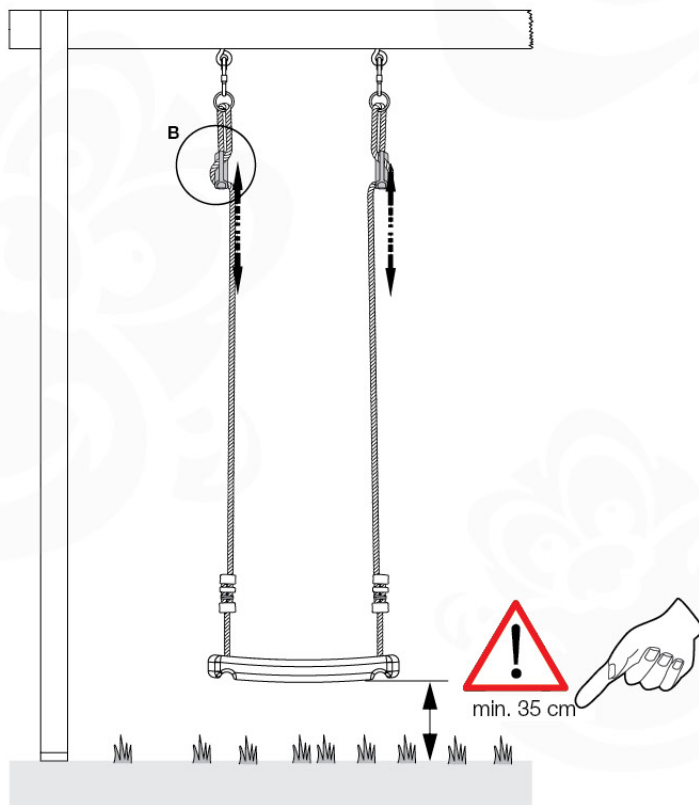
# 08 Accessories



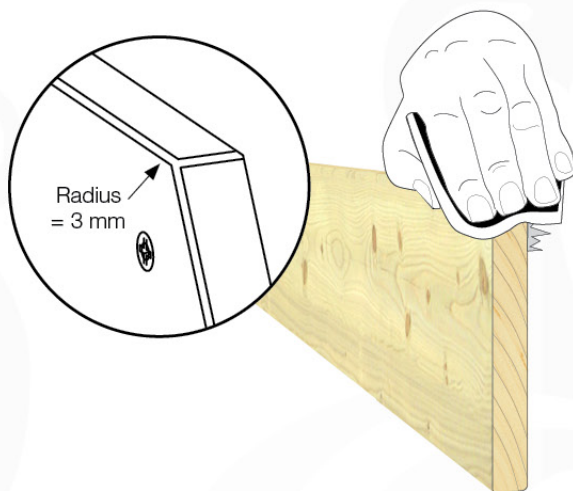
250\_034



250\_013



09



10

