



Experiencing problems with your new KidKraft product?

Before getting frustrated and returning your product to the store or Internet retailer, please give us a chance to solve all your problems. Call our office in **Dallas, TX** at **1-800-933-0771**. Our sales support team is available from **8:30 a.m. to 5 p.m.** Central Time Zone every **Monday through Friday**, and we want nothing more than for our customers to be satisfied. If you have a question and it isn't our normal business hours, just leave a message and we will call you back as soon as possible. Don't want to talk to someone? Information on replacement parts can be found at www.kidkraft.com.

- Are our assembly instructions confusing? Are you stuck on a step?

Please, let us help!

- Are you missing a part? Do you need us to send a replacement part?

Please, let us help!

- Did a part arrive broken? Do you need us to send a replacement?

Please, let us help!

- Does the item you received differ in any way from what was ordered?

Please, let us help!

At KidKraft, customer satisfaction is our top priority. Thank you for your business.

David Barr
Executive Vice President

KidKraft
4630 Olin Road
Dallas Texas 75244
www.kidkraft.com

Before calling customer service, please locate the batch code number (example: 2693/65006/04) found on the bottom or back of your product.

Tel: 972.385.0100
Toll Free: 1.800.933.0771
Fax: 972.385.0277
Toll Free: 1.877.933.0771

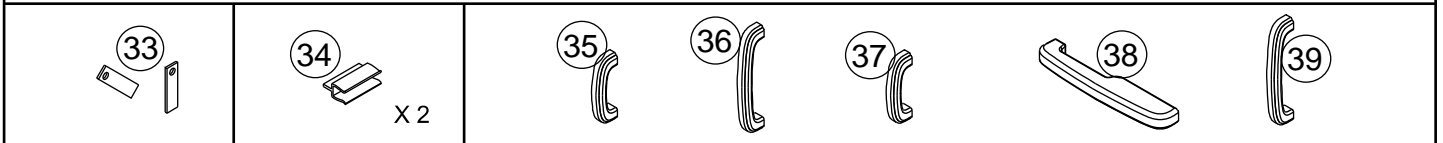
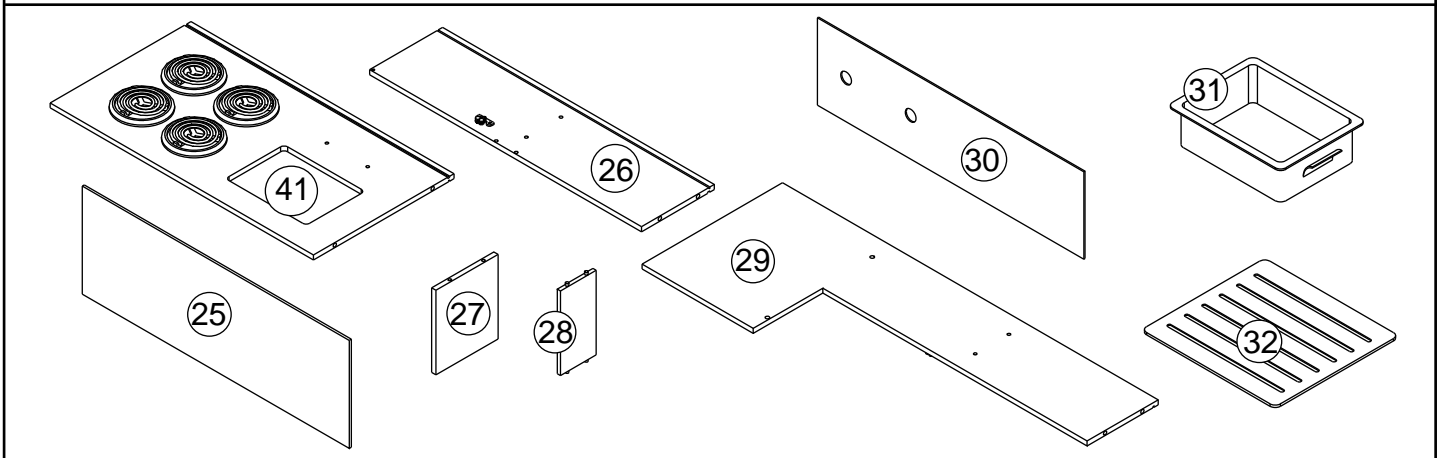
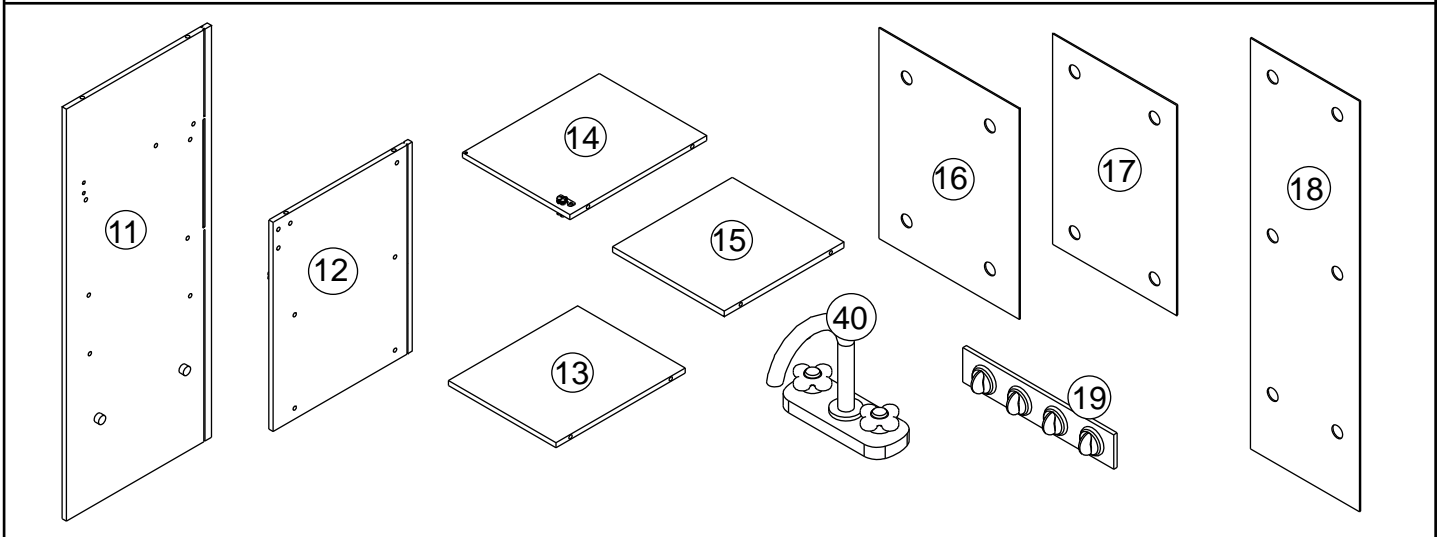
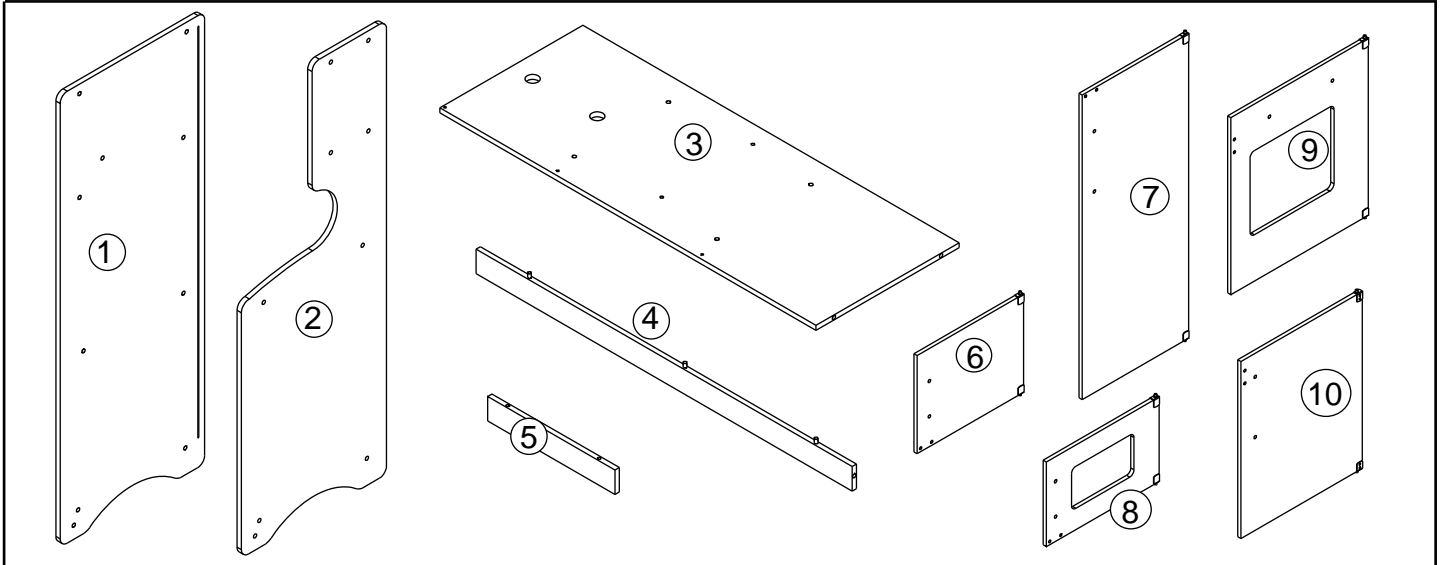
Large Kitchen

Assembly Instructions

Item# 53181

Please retain this information for future reference

To order replacement parts, please visit www.kidkraft.com



CAUTION: Adult Assembly Required. Hardware contains small screws with sharp points. Keep unassembled parts out of reach of small children.

USE AND MAINTENANCE:
-Use on level surfaces only
-Please check assembly at regular intervals, and frequently tighten hardware if necessary. If maintenance is not carried out, the product could cease to function properly

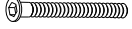








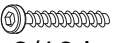
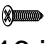

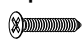


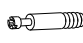

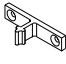

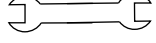
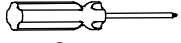
WARNING: CHOKING HAZARD
Small parts and sharp points, not suitable for children under 3 years.

Customer Service
1-800-933-0771
www.kidkraft.com

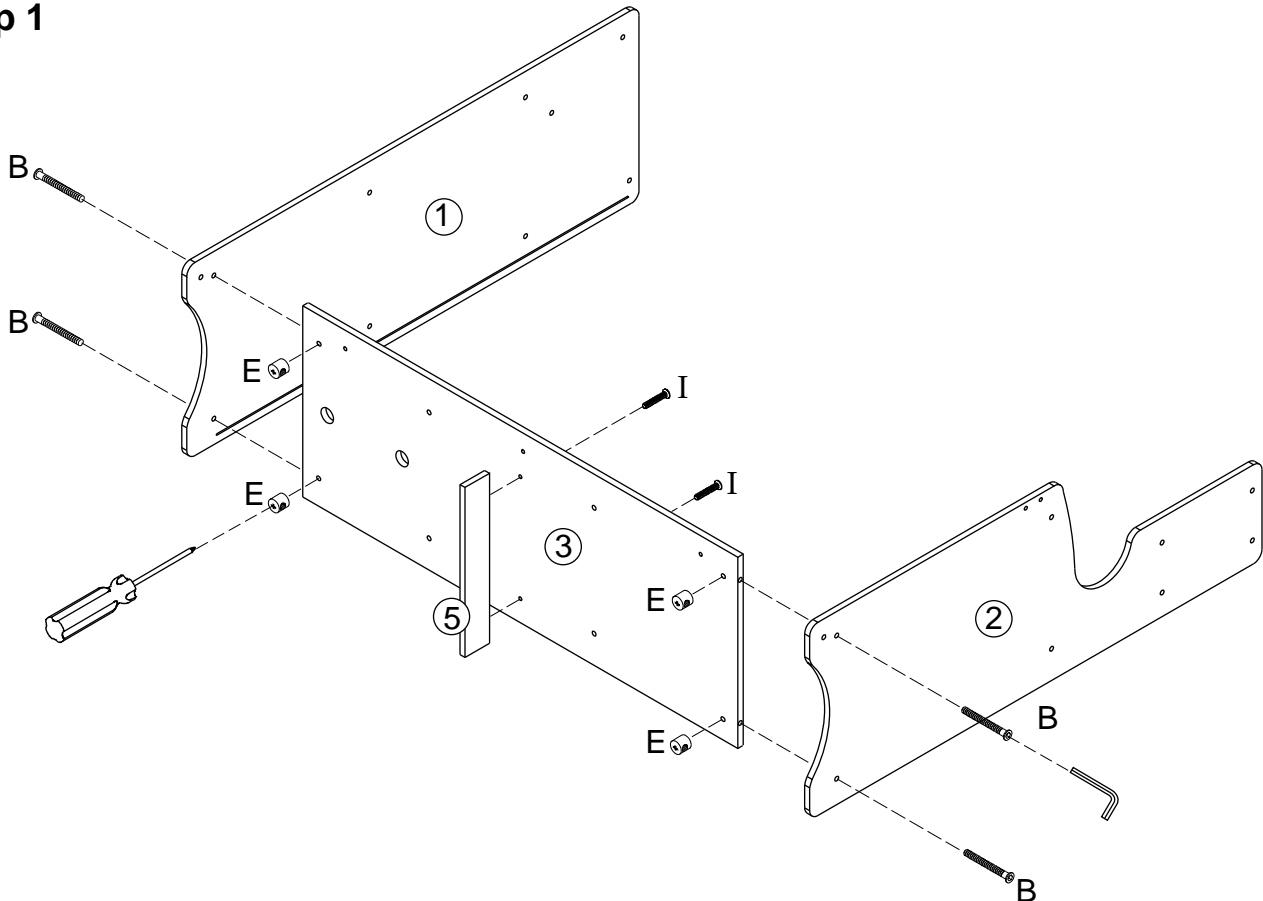
Large Kitchen

Assembly Instructions

Item# 53181

HARDWARE			
<p>A. Pink Cross Dowel Bolt x 10 pcs  2 3/16 in, 55 mm</p> <p>B. White Cross Dowel Bolt x 20 pcs  2 3/16 in, 55 mm</p> <p>C. Yellow Cross Dowel Bolt x 2 pcs  2 3/16 in, 55 mm</p> <p>D. Cross Dowel Bolt x 4 pcs  2 3/16 in, 55 mm</p> <p>E. Cross Dowel Nut x 36 pcs </p>	<p>F. Cross Dowel Bolt x 1 pc  1 3/16 in, 30 mm</p> <p>G. Pink Screw x 6 pcs  1 in, 25 mm</p> <p>H. Pink Screw x 4 pcs  1 3/8 in, 33 mm</p> <p>I. White Screw x 2 pcs  1 1/4 in, 31 mm</p> <p>J. Hex Screw x 2 pcs  1 3/16 in, 30 mm</p> <p>K. Screw x 10 pcs  5/16 in, 8 mm</p>	<p>L. Yellow Screw x 6 pcs  1 in, 25 mm</p> <p>M. Blue Screw x 2 pcs  1 in, 25 mm</p> <p>N. Nylon Nut x 1 pcs </p> <p>O. Washer x 3 pcs </p> <p>P. Cam Lock x 2 pcs </p> <p>Q. Twist Nut x 2 pcs </p>	<p>R. Latch x 5 pcs </p> <p>Allen Wrench x 1 pc </p> <p>Wrench x 1 pc </p> <p>The following tool (not included) is required for assembly:  Phillips® screwdriver</p>

Step 1



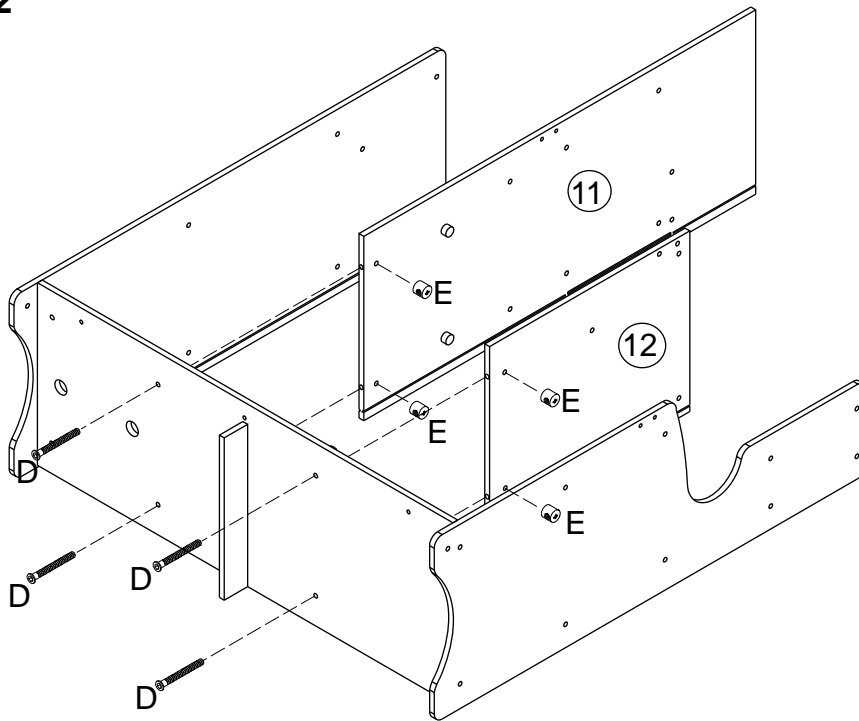
Customer Service
1-800-933-0771
www.kidkraft.com

Large Kitchen

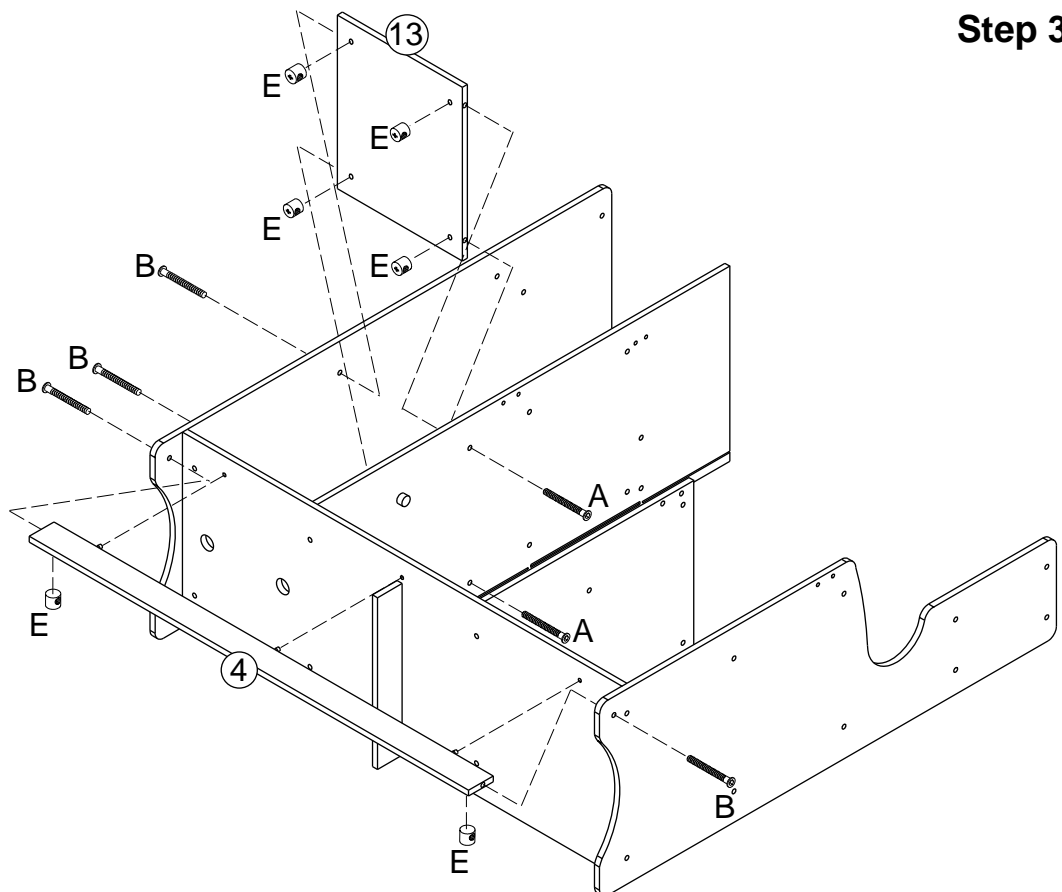
Assembly Instructions

Item# 53181

Step 2



Step 3

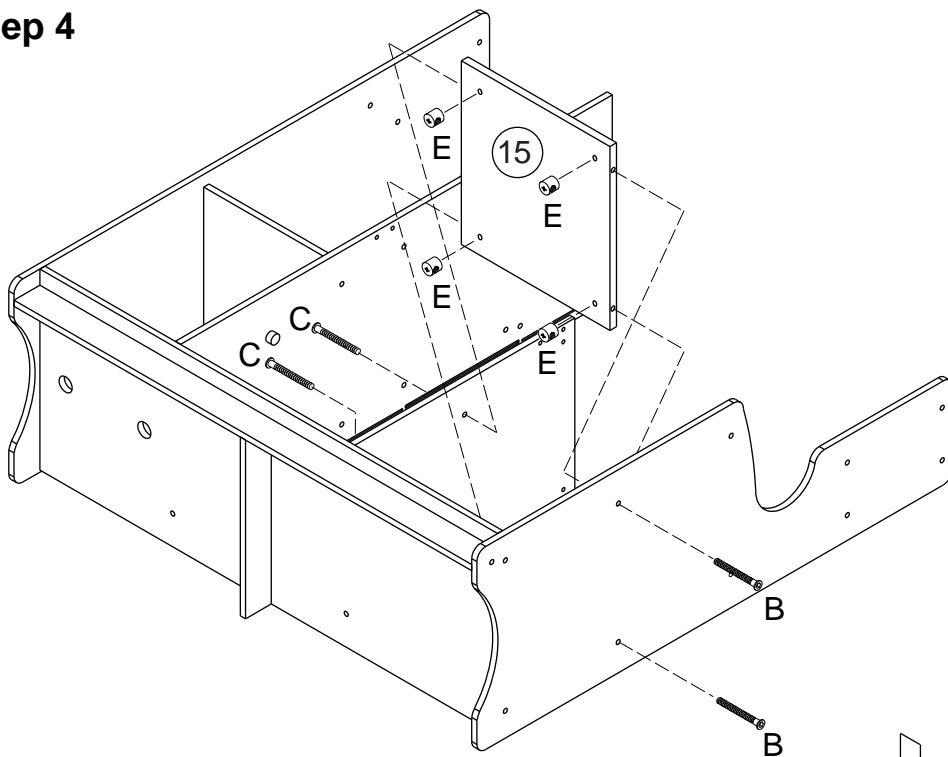


Large Kitchen

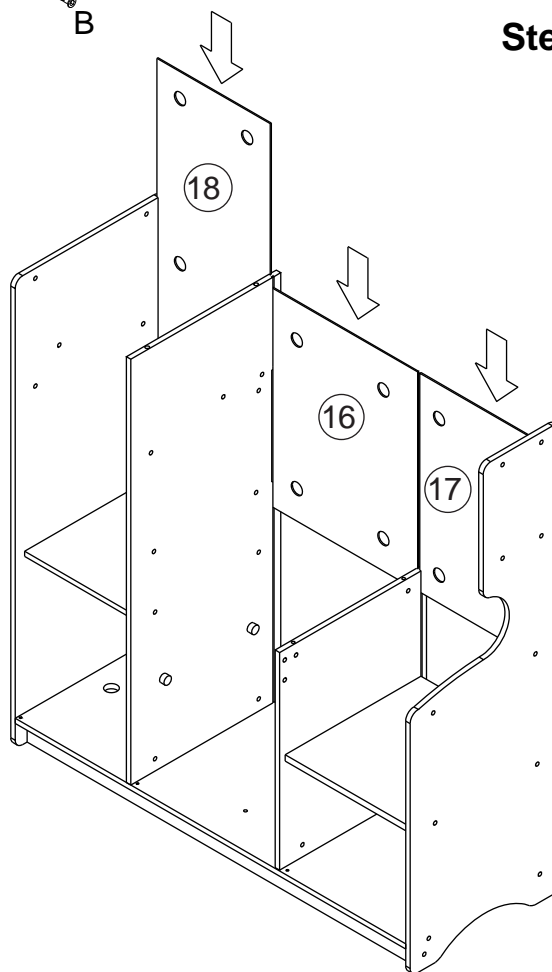
Assembly Instructions

Item# 53181

Step 4



Step 5



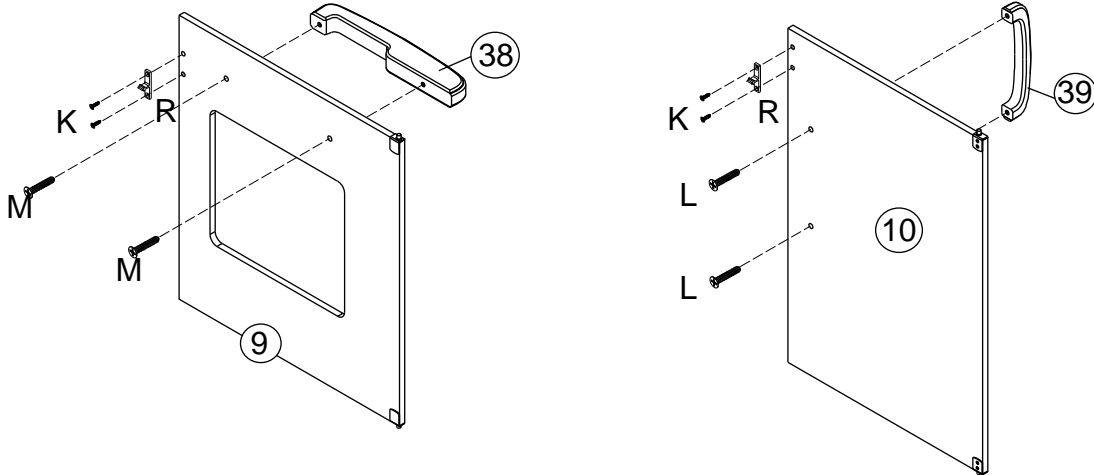
Customer Service
1-800-933-0771
www.kidkraft.com

Large Kitchen

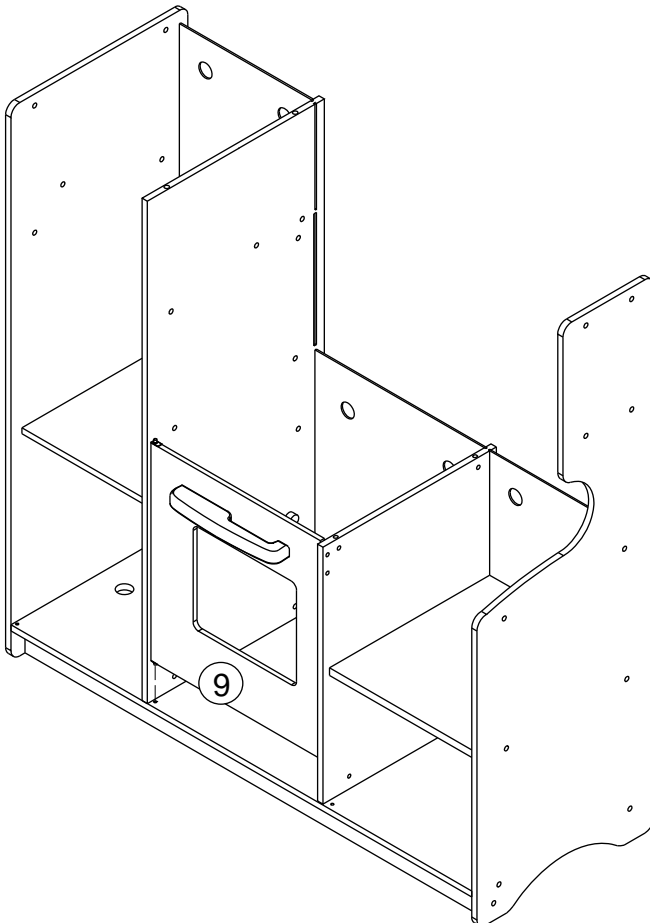
Assembly Instructions

Item# 53181

Step 6



Step 7

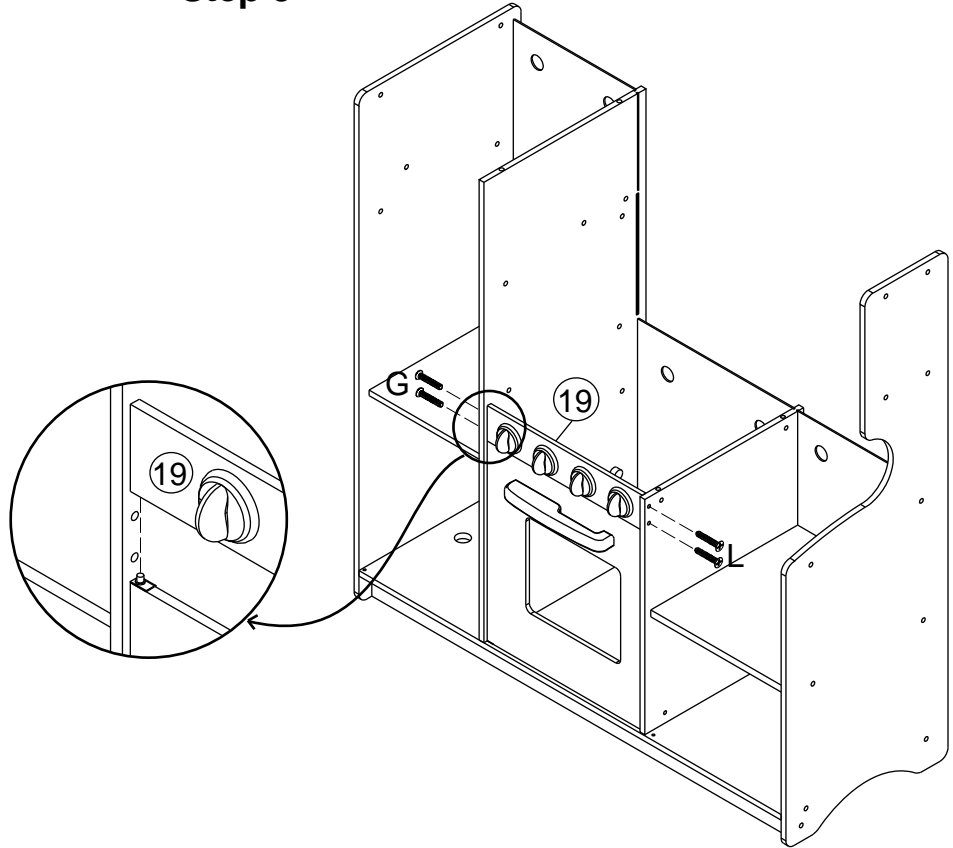


Large Kitchen

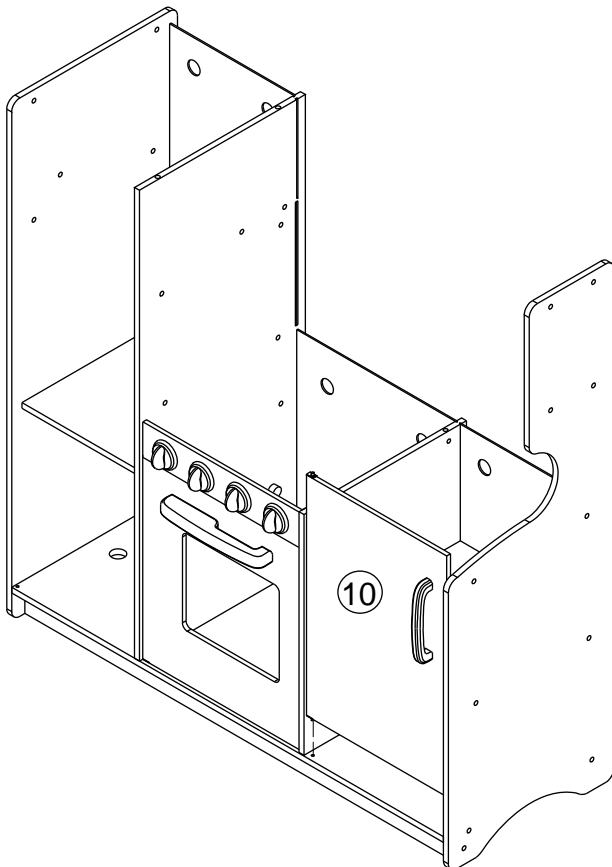
Assembly Instructions

Item# 53181

Step 8



Step 9

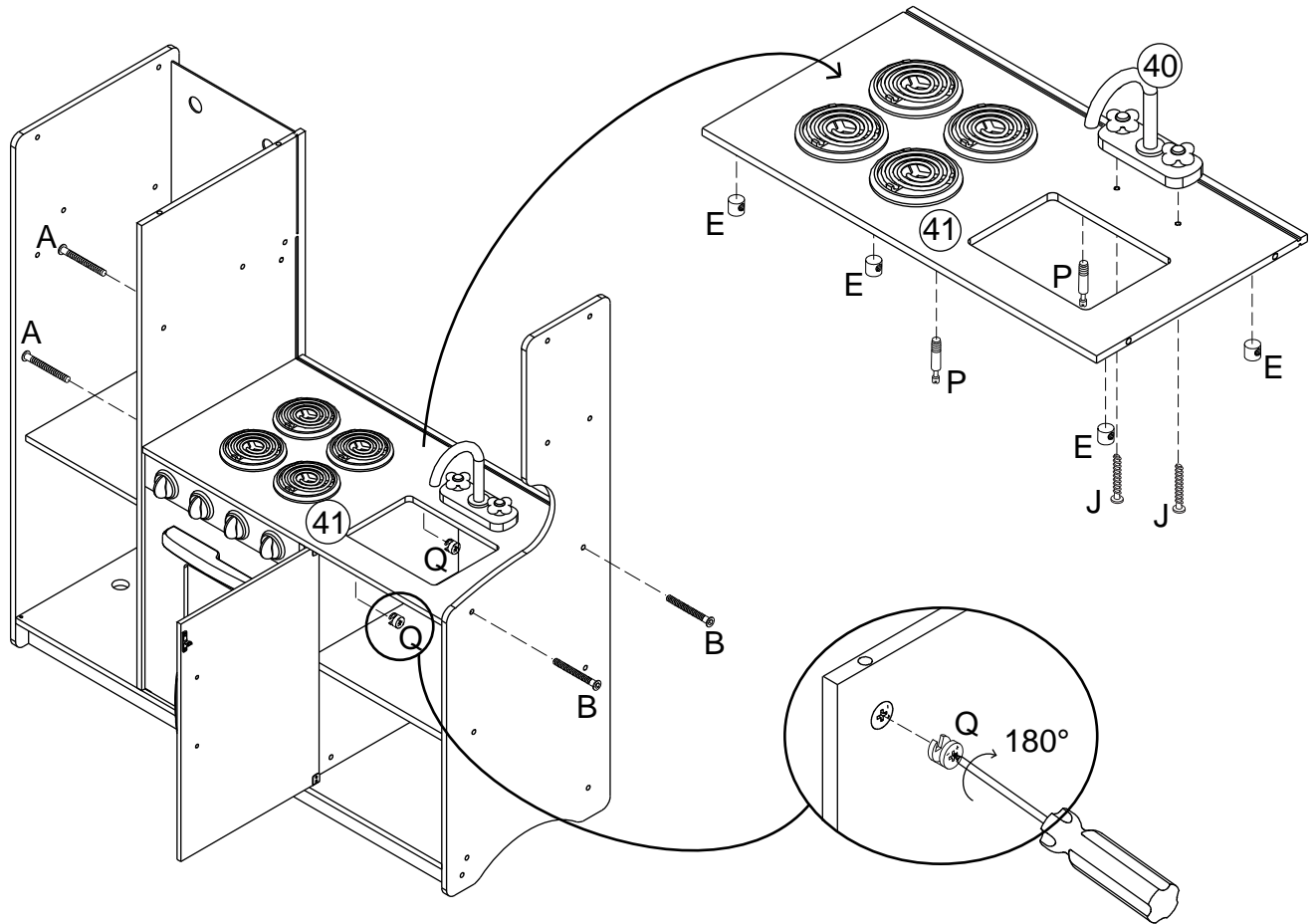


Large Kitchen

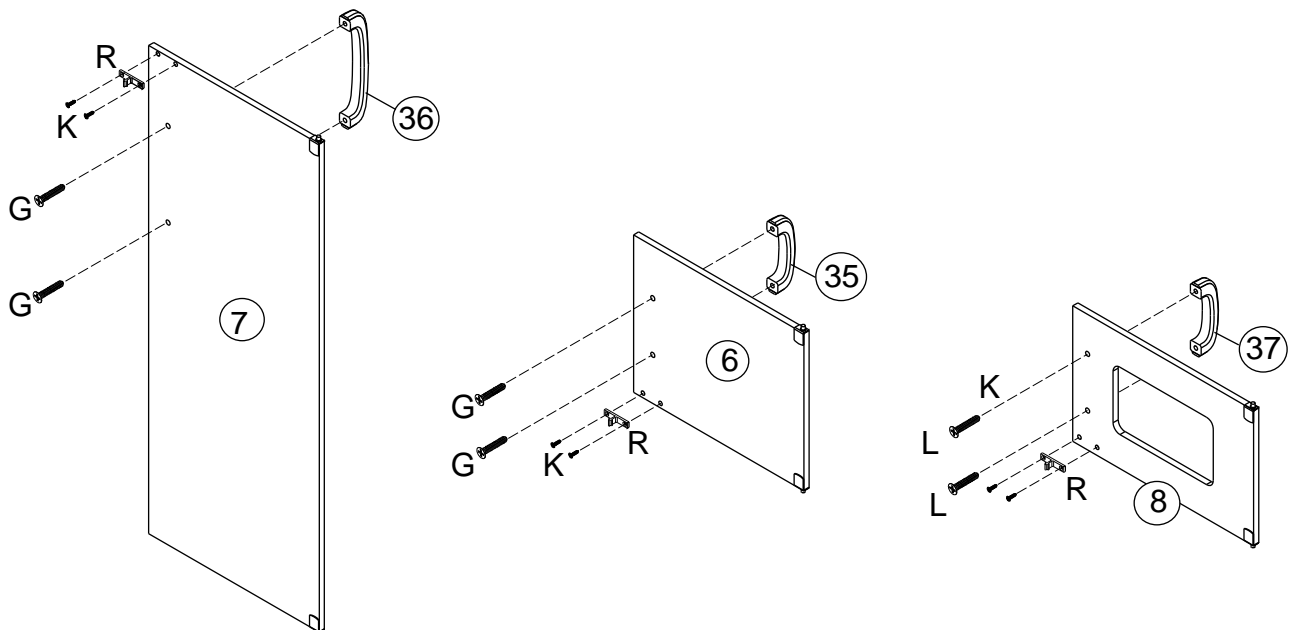
Assembly Instructions

Item# 53181

Step 10



Step 11

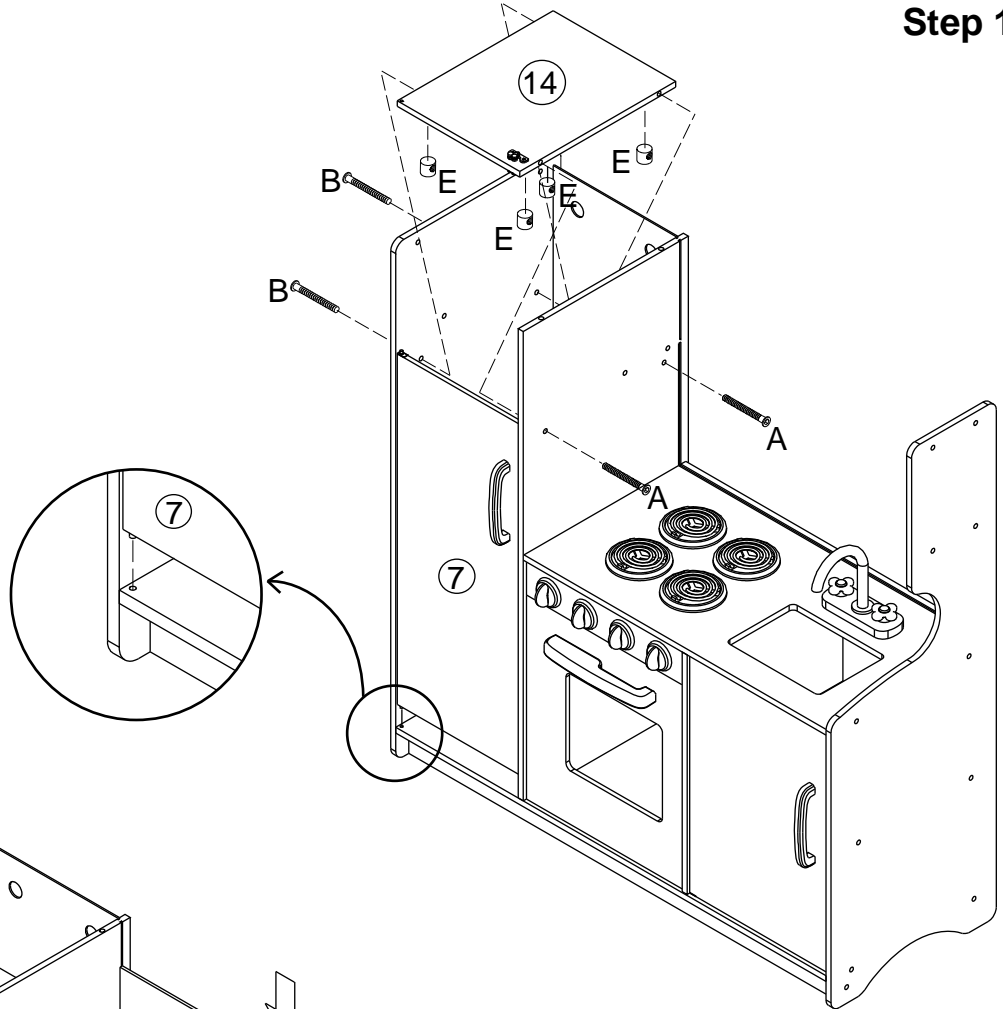


Large Kitchen

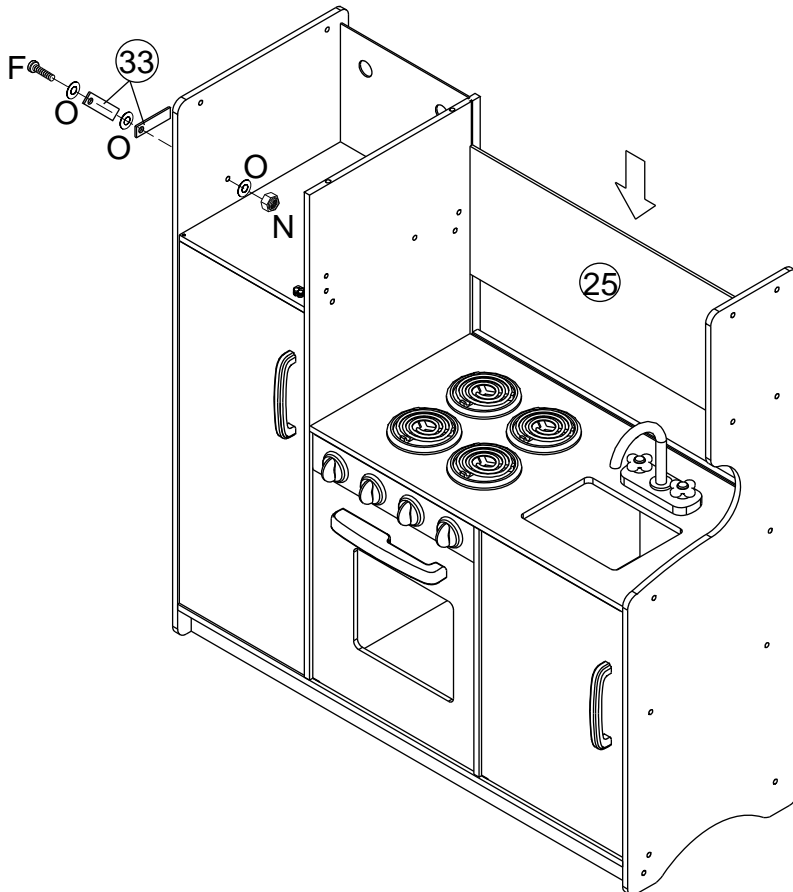
Assembly Instructions

Item# 53181

Step 12



Step 13

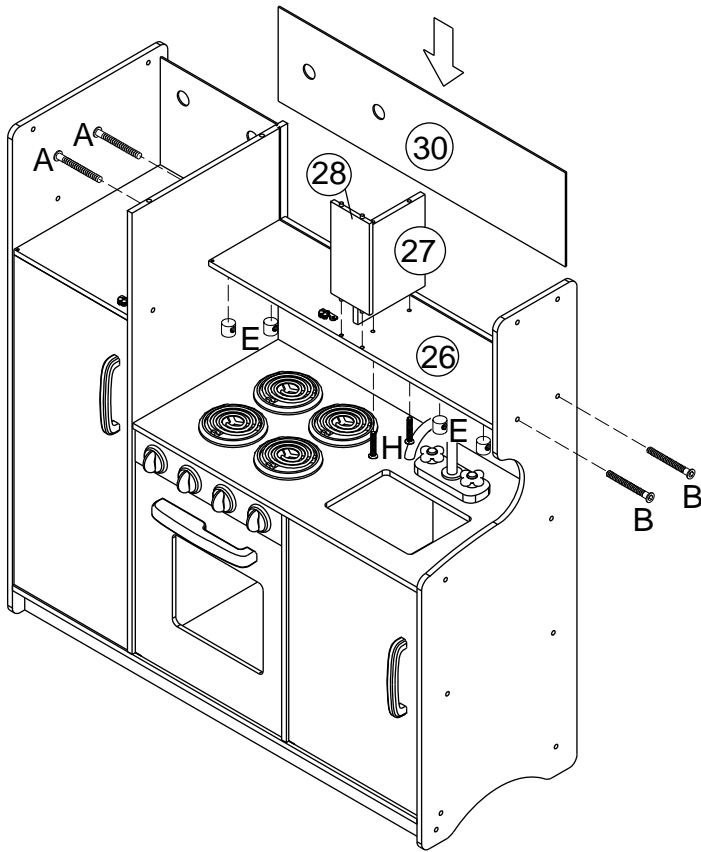


Large Kitchen

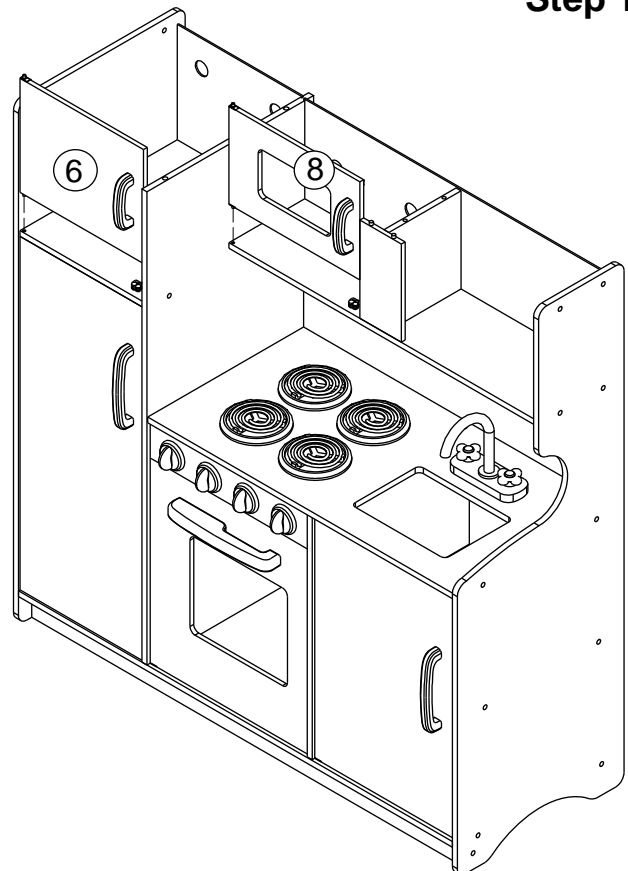
Assembly Instructions

Item# 53181

Step 14



Step 15

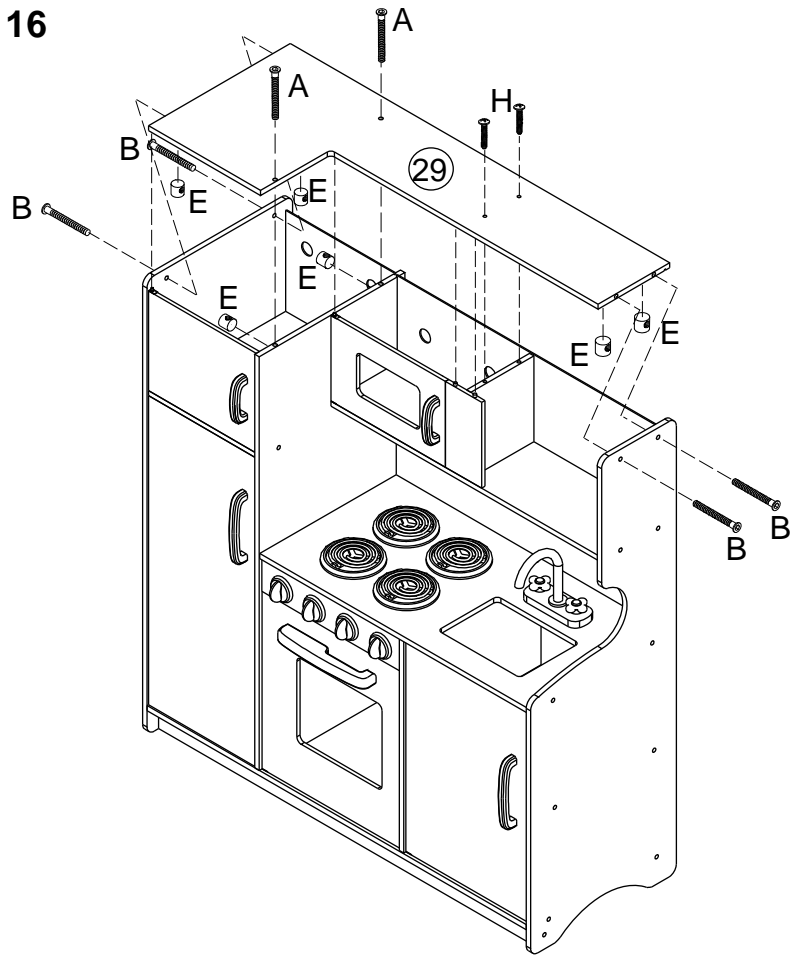


Large Kitchen

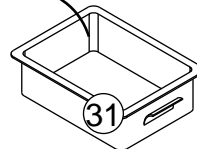
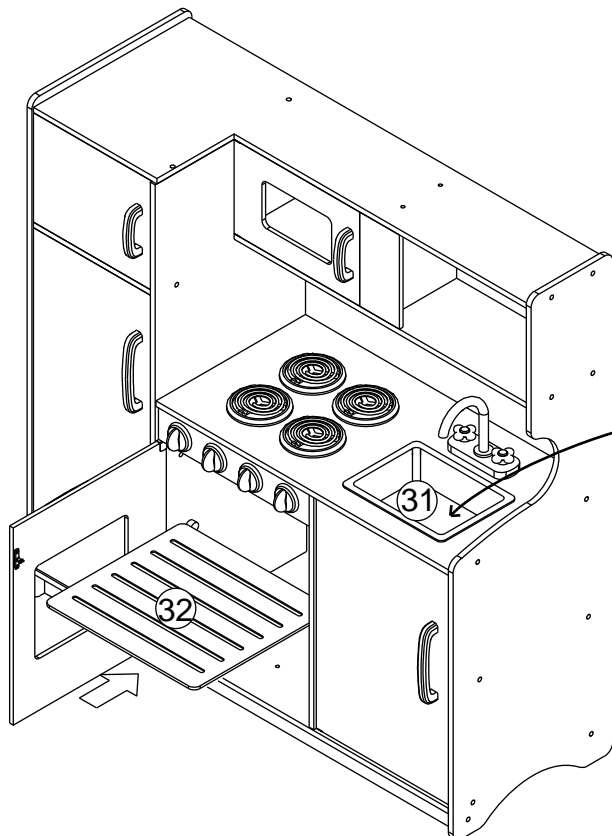
Assembly Instructions

Item# 53181

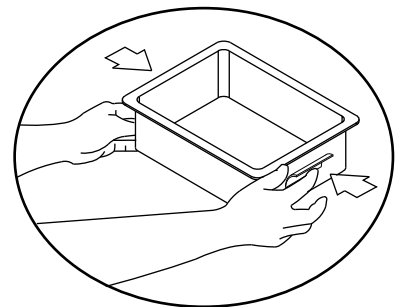
Step 16



Step 17



Push sink (part 31) down until it clicks into place.



To Remove Sink: The sink may only be removed by an adult. Hold the tabs and lift through the hole to release.

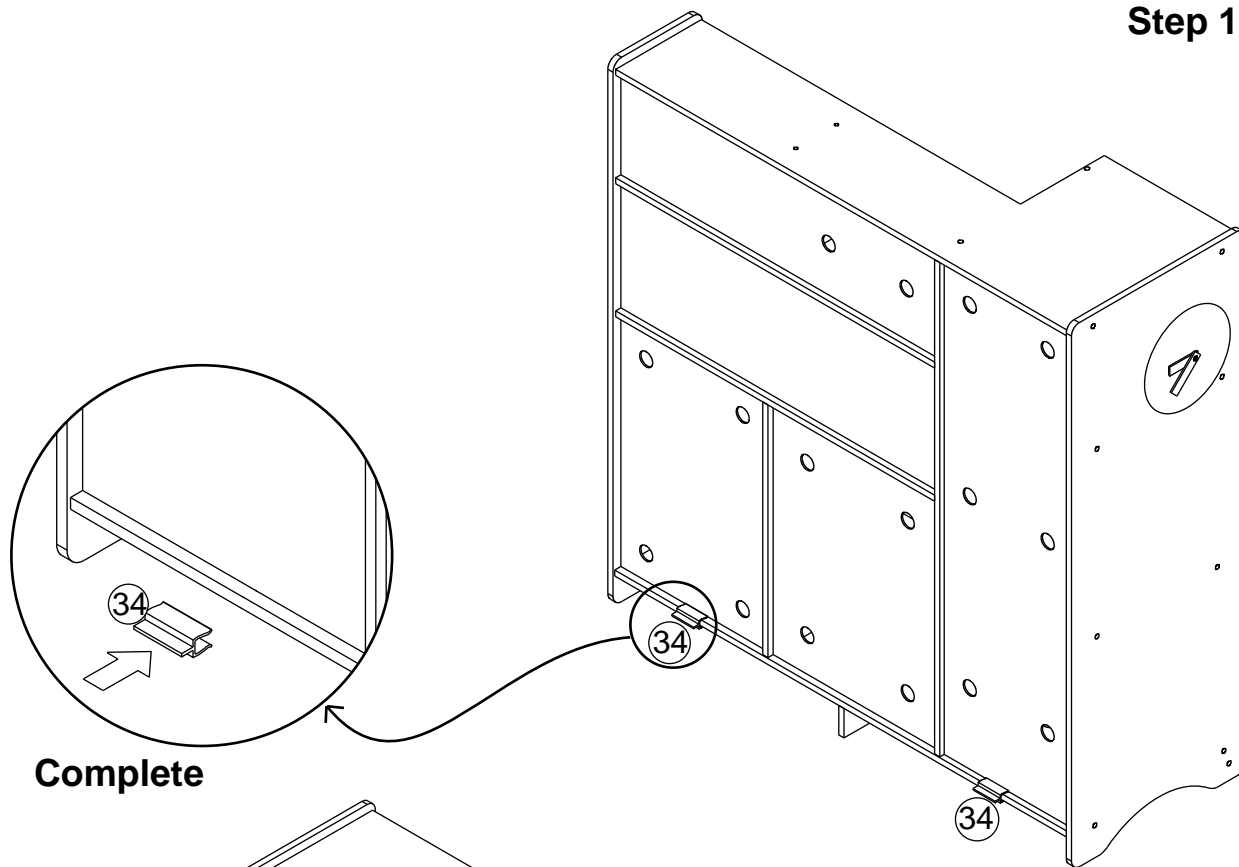
Customer Service
 1-800-933-0771
 www.kidkraft.com

Large Kitchen

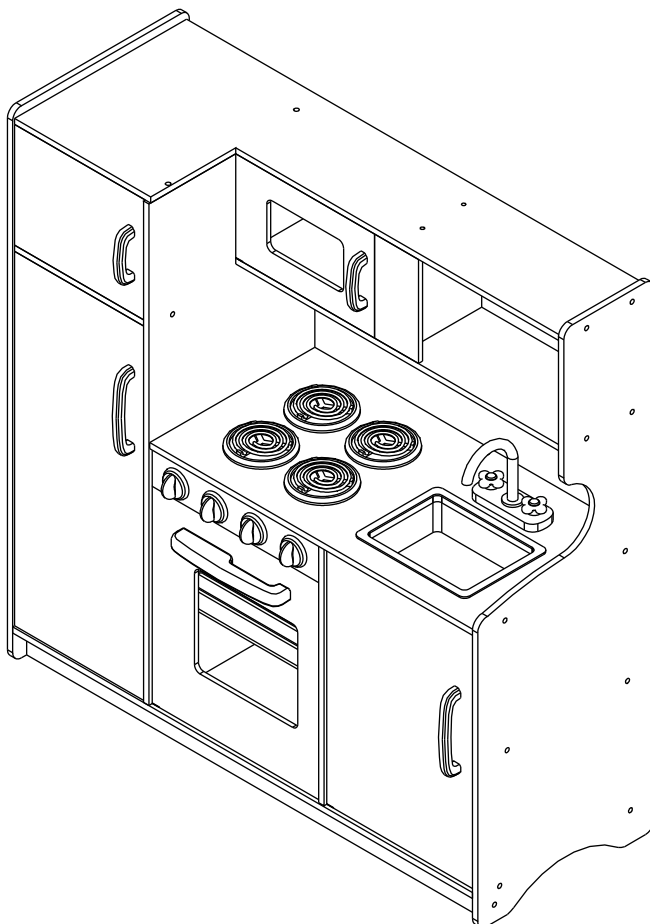
Assembly Instructions

Item# 53181

Step 18



Complete





Wall anchor kit

Now that you've assembled your kitchen, will it be placed against a wall? For additional stability, KidKraft offers a Wall Anchor Kit giving you the option of attaching the kitchen to your wall. The kit is free of charge plus \$2.00 for shipping and handling. Just call customer service at 1-800-933-0771 or go to www.kidkraft.com to order.

Parental supervision required.

This toy is intended for children of a specific age or above. Parents should supervise the play area so that children younger than the intended age range do not interact with this toy. Use this toy on the floor. Do not allow children to climb on or around or in the toy.

IMPORTANT INFORMATION - PLEASE READ FIRST

ALL OF OUR WOODEN ITEMS ARE HANDCRAFTED, HAND ASSEMBLED, AND HAND PAINTED. EACH ONE IS UNIQUE. SLIGHT IMPERFECTIONS MAY OCCUR AND ARE NOT MANUFACTURING DEFECTS.

PLEASE NOTE THAT WE DO NOT WARRANTY AGAINST THE USE OF PERMANENT MARKERS, NON-WATER-BASED PAINTS, CRAYONS, OR WASHABLE MARKERS. SOME OF THESE ITEMS CONTAIN PERMANENT COLOR DYES THAT COULD DAMAGE THE SURFACE.

CLEANING INSTRUCTIONS

CLEAN THE SURFACE USING A SLIGHTLY DAMP CLOTH AND MILD DISH WASHING LIQUID IF NECESSARY. DO NOT USE ANY CLEANING PRODUCT CONTAINING ALCOHOL OR AMMONIA. THESE WILL DULL THE SHINY SURFACE OF THE PRODUCT. FURNITURE POLISH WILL ALSO WORK TO CLEAN AND DUST OFF THE SURFACE.

WE RECOMMEND THAT YOU TEST ALL CLEANING MATERIALS ON THE UNDERSIDE OF ANY SURFACE THAT WOULD NOT BE SEEN DURING NORMAL USE OF THE PRODUCT. IF YOU HAVE QUESTIONS REGARDING THE MAINTENANCE OF THIS PRODUCT PLEASE FEEL FREE TO CALL US.

SOLE AND LIMITED WARRANTY

THIS TOY IS WARRANTED SOLELY AGAINST MANUFACTURING DEFECTS FOR A PERIOD OF 90 DAYS FROM THE DATE OF PURCHASE, WHICH RUNS ONLY TO THE ORIGINAL USER OF THE TOY. IN THE EVENT OF A MANUFACTURING DEFECT, PARTS WILL BE REPLACED OR THE ENTIRE PRODUCT WILL BE REPLACED OR THE PURCHASE PRICE WILL BE REFUNDED, AT THE ELECTION OF THE MANUFACTURER. TO ACTIVATE AND PROTECT THIS WARRANTY, PRESERVE EVIDENCE OF ORIGINAL PURCHASE AND CAREFULLY INSPECT THE CONDITION OF THE TOY PRIOR TO AND AFTER ASSEMBLY, LOOKING FOR MISSING, DEGRADED, BROKEN OR HAZARDOUS PARTS, INCLUDING PARTS WHICH CAN BE SWALLOWED BY A CHILD, CAUSE A CHILD TO CHOKE, OR OTHERWISE CAUSE INJURY. SUCH PARTS MAY INCLUDE MAGNETS, WHEELS, HUBS, FASTENERS, AND CONNECTORS. SHOULD YOU OBSERVE ANY DEFECTS, DO NOT USE THE TOY AND IMMEDIATELY NOTIFY THE MANUFACTURER. FAILURE TO DO SO SHALL CONSTITUTE MISUSE. MISUSE, IMPROPER ASSEMBLY, FAILURE TO HONOR A WARNING, FAILURE TO SUPERVISE, INSPECT OR MAINTAIN THE TOY, OR DAMAGE TO THE TOY, WHETHER INTENTIONAL OR INADVERTENT, SHALL INVALIDATE THIS WARRANTY.

TO SUBMIT A WARRANTY CLAIM PLEASE CONTACT KIDKRAFT CUSTOMER SERVICE AT 1-800-933-0771 FOR INSTRUCTIONS ON HOW TO PROVIDE PROOF OF PURCHASE AND HOW TO RETURN THE ITEM FREIGHT PRE-PAID.