

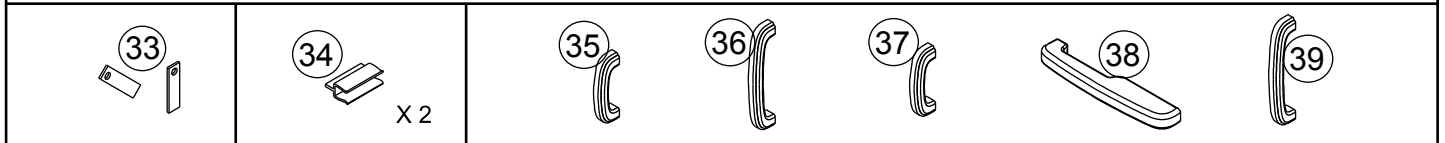
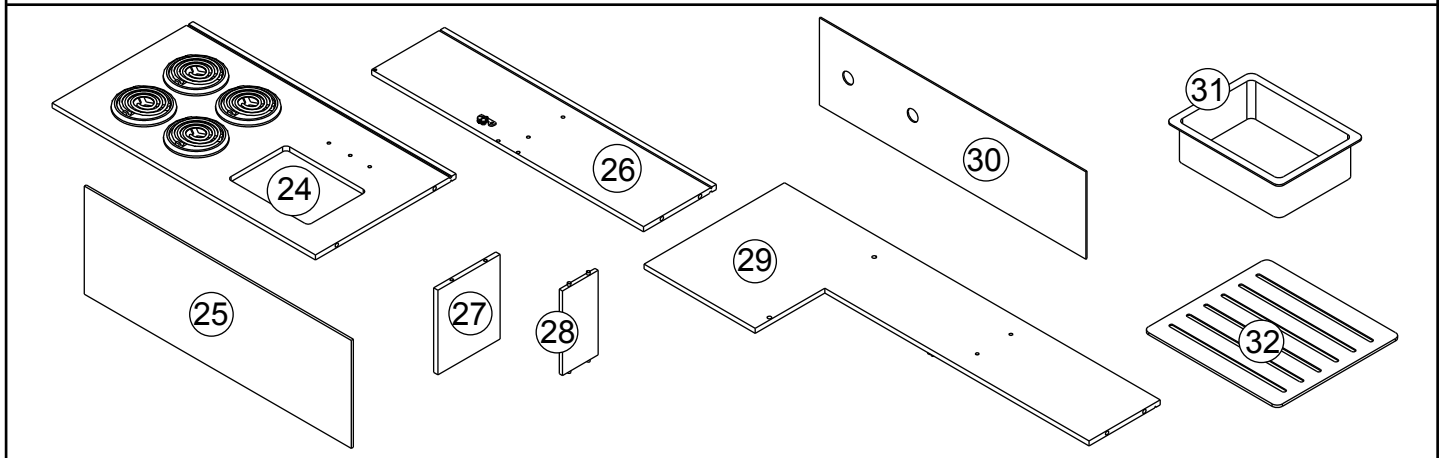
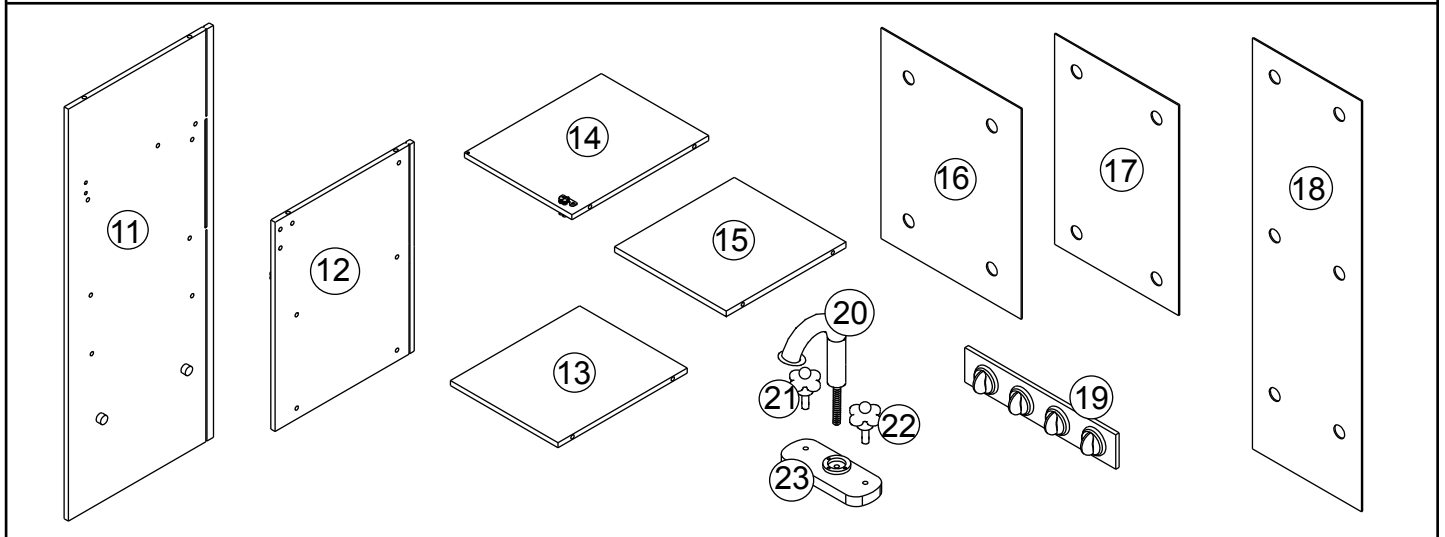
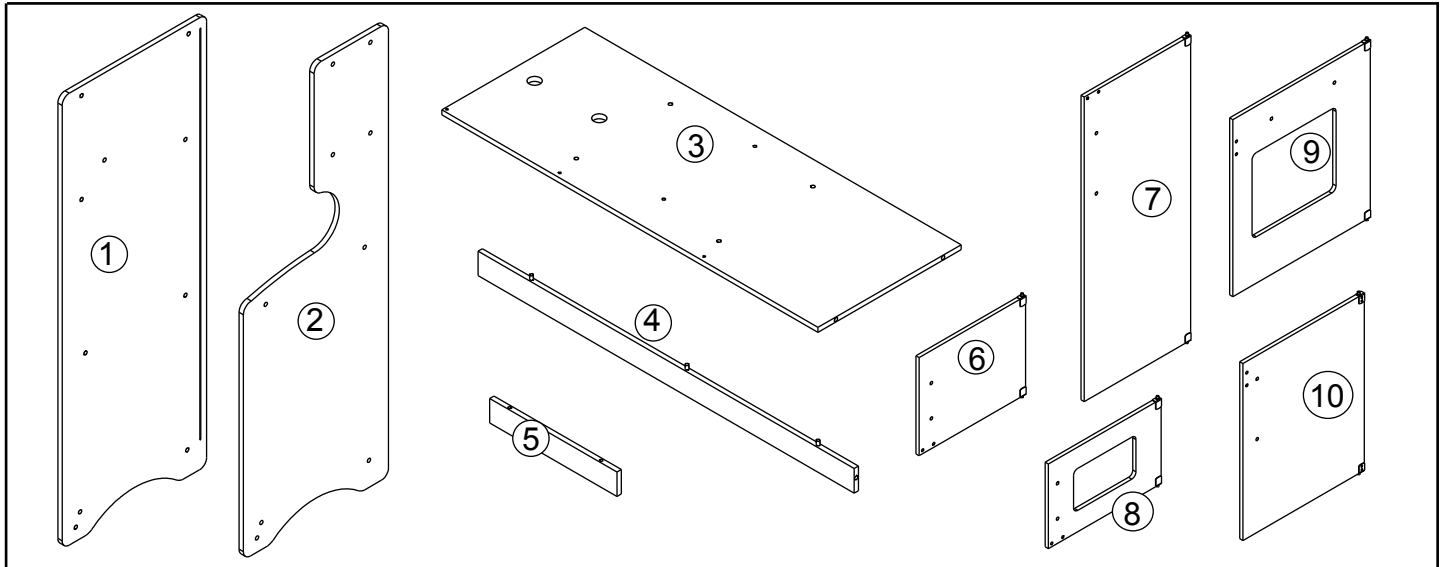
# Large Kitchen

Item# 53181A

Please retain this information for future reference

## Assembly Instructions

To order replacement parts, please visit [www.kidkraft.com](http://www.kidkraft.com)



**CAUTION:** Adult Assembly Required. Hardware contains small screws with sharp points. Keep unassembled parts out of reach of small children.

**USE AND MAINTENANCE:**  
-Use on level surfaces only  
-Please check assembly at regular intervals, and frequently tighten hardware if necessary. If maintenance is not carried out, the product could cease to function properly



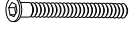


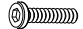















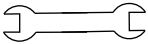

**WARNING:** CHOKING HAZARD  
Small parts and sharp points, not suitable for children under 3 years.

**Customer Service**  
1-800-933-0771  
[www.kidkraft.com](http://www.kidkraft.com)

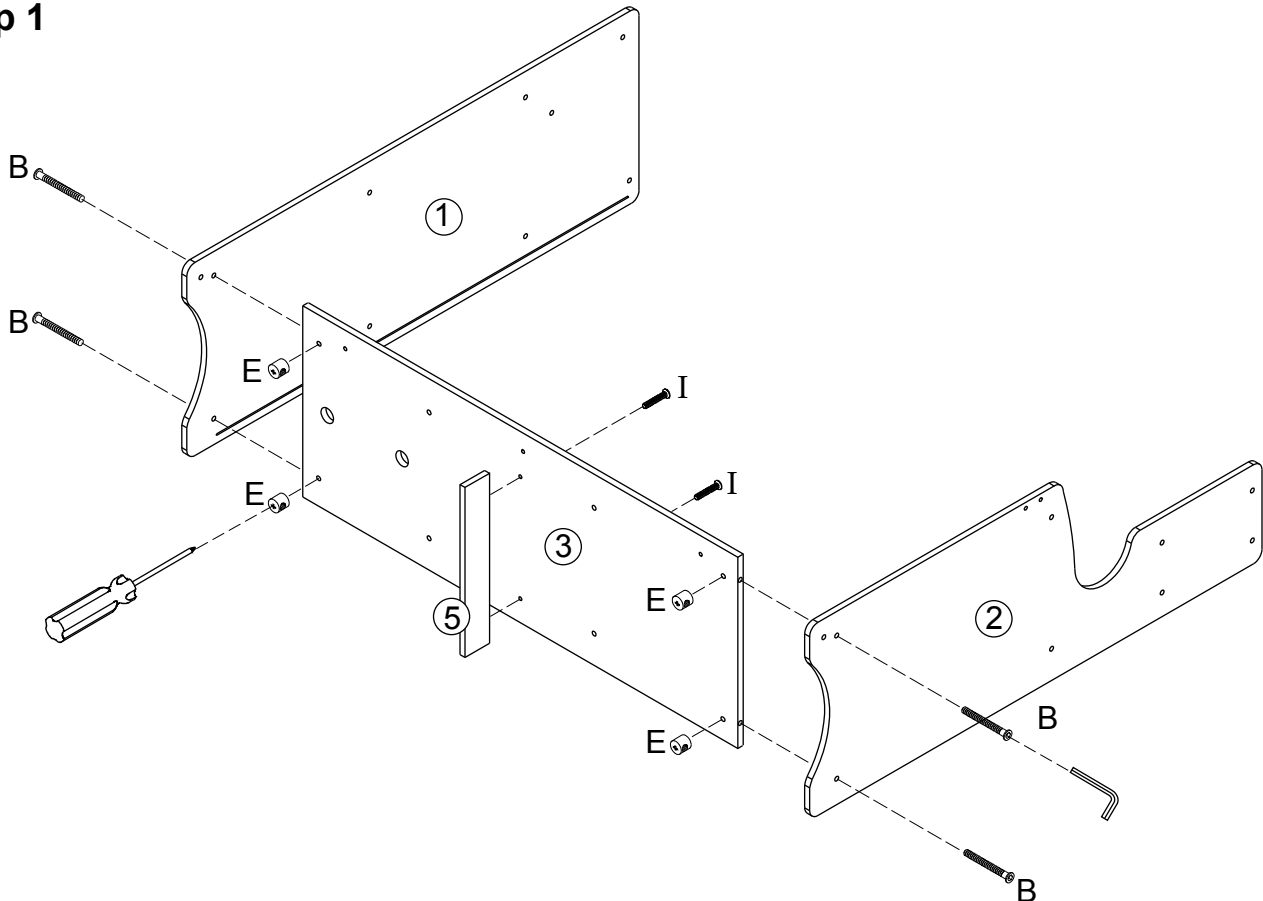
# Large Kitchen

## Assembly Instructions

Item# 53181A

HARDWARE			
<p><b>A. Pink Cross Dowel Bolt x 10 pcs</b>  2 3/16 in, 55 mm</p> <p><b>B. White Cross Dowel Bolt x 20 pcs</b>  2 3/16 in, 55 mm</p> <p><b>C. Yellow Cross Dowel Bolt x 2 pcs</b>  2 3/16 in, 55 mm</p> <p><b>D. Cross Dowel Bolt x 4 pcs</b>  2 3/16 in, 55 mm</p> <p><b>E. Cross Dowel Nut x 36 pcs</b> </p>	<p><b>F. Cross Dowel Bolt x 1 pc</b>  1 3/16 in, 30 mm</p> <p><b>G. Pink Screw x 6 pcs</b>  1 in, 25 mm</p> <p><b>H. Pink Screw x 4 pcs</b>  1 3/8 in, 33 mm</p> <p><b>I. White Screw x 2 pcs</b>  1 1/4 in, 31 mm</p> <p><b>J. Screw x 2 pcs</b>  5/8 in, 15 mm</p> <p><b>K. Screw x 10 pcs</b>  5/16 in, 8 mm</p>	<p><b>L. Yellow Screw x 6 pcs</b>  1 in, 25 mm</p> <p><b>M. Blue Screw x 2 pcs</b>  1 in, 25 mm</p> <p><b>N. Nylon Nut x 2 pcs</b> </p> <p><b>O. Washer x 3 pcs</b> </p> <p><b>P. Large Washer x 1 pc</b> </p> <p><b>Q. Small Washer x 2 pcs</b> </p>	<p><b>R. Cam Lock x 2 pcs</b> </p> <p><b>S. Twist Nut x 2 pcs</b> </p> <p><b>T. Latch x 5 pcs</b> </p> <p><b>Allen Wrench x 1 pc</b> </p> <p><b>Wrench x 1 pc</b> </p> <p>The following tool (not included) is required for assembly:  Phillips® screwdriver</p>

### Step 1



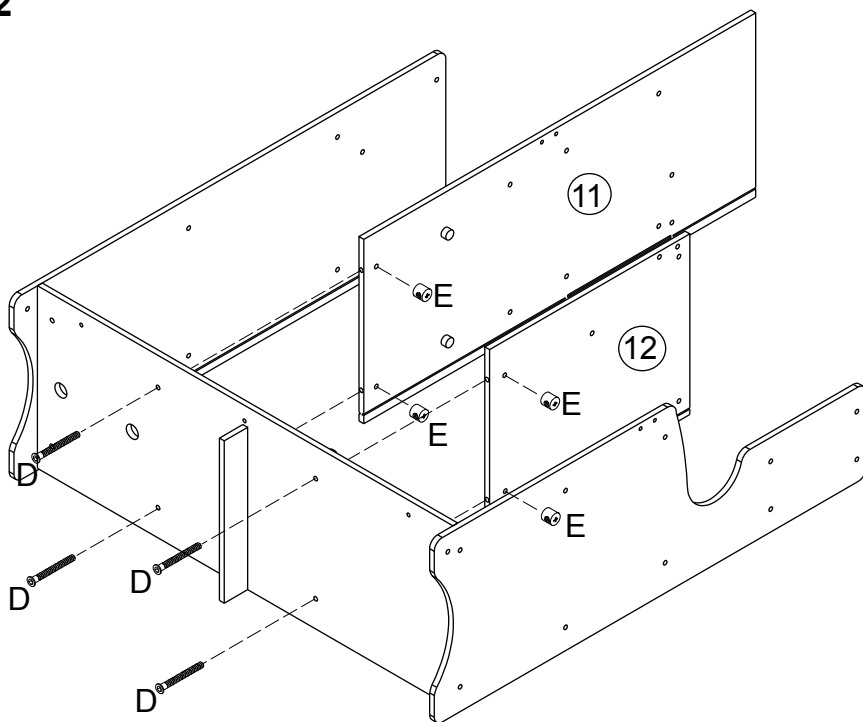
**Customer Service**  
1-800-933-0771  
www.kidkraft.com

# Large Kitchen

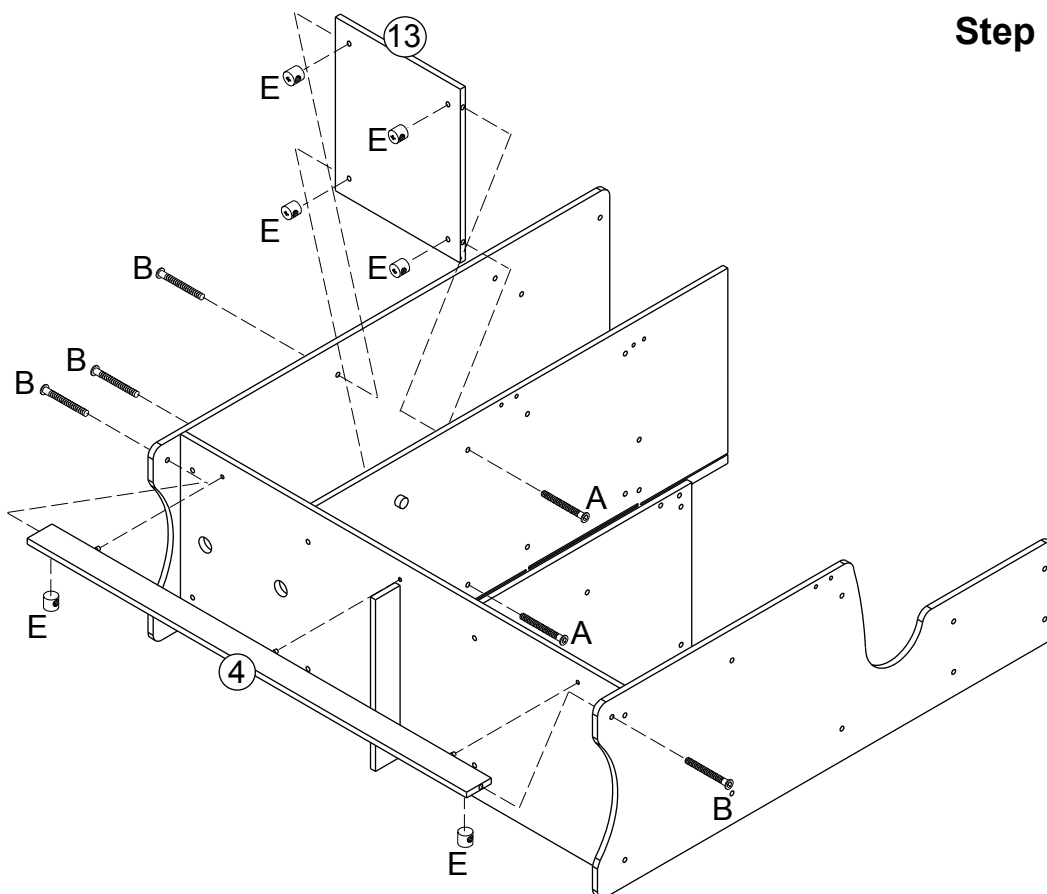
## Assembly Instructions

Item# 53181A

### Step 2



### Step 3

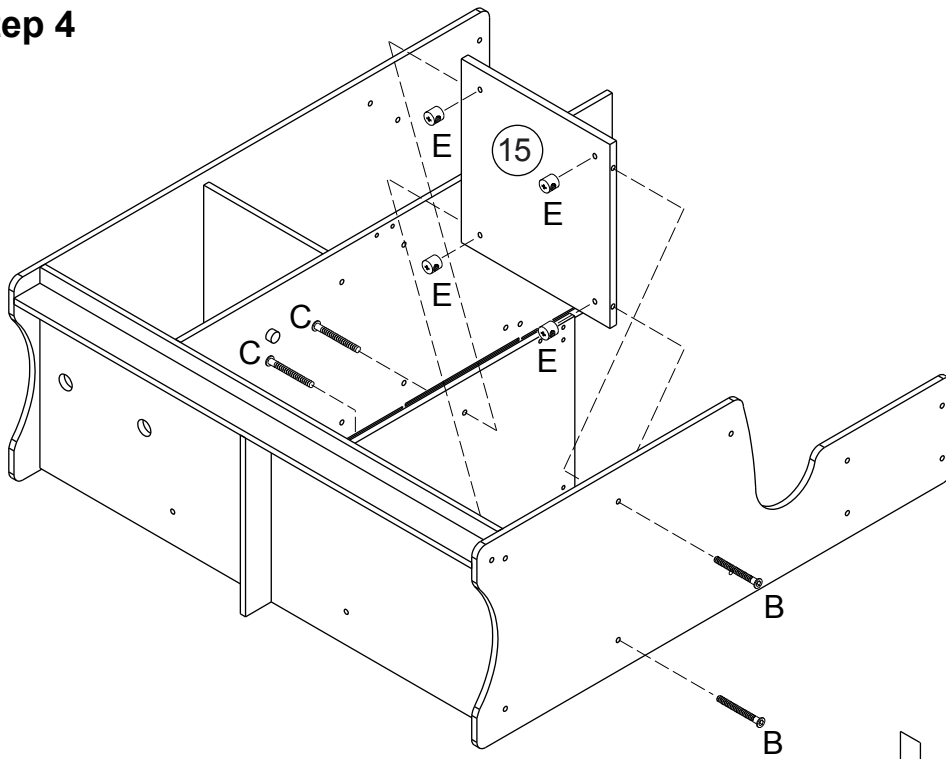


# Large Kitchen

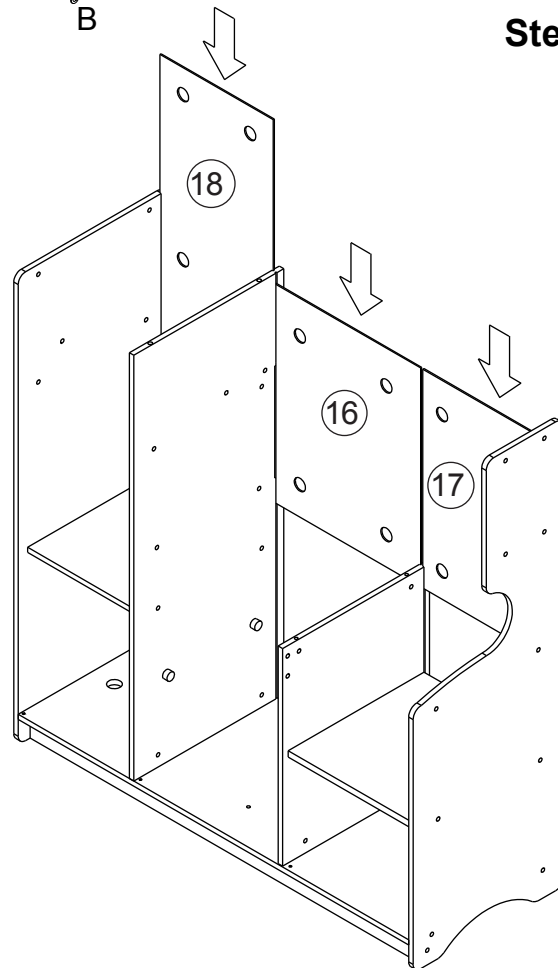
## Assembly Instructions

Item# 53181A

### Step 4



### Step 5



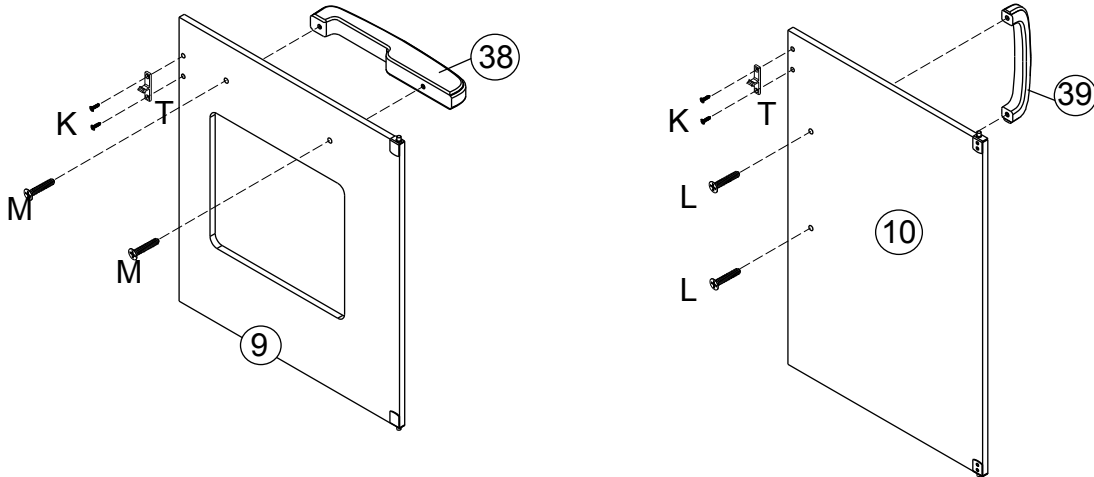
**Customer Service**  
1-800-933-0771  
[www.kidkraft.com](http://www.kidkraft.com)

# Large Kitchen

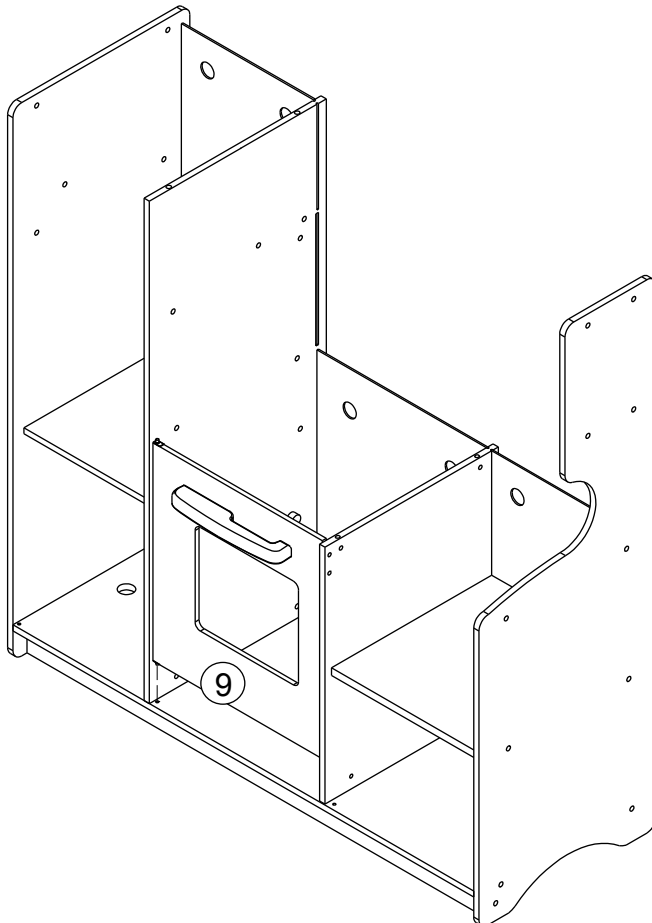
## Assembly Instructions

Item# 53181A

### Step 6



### Step 7

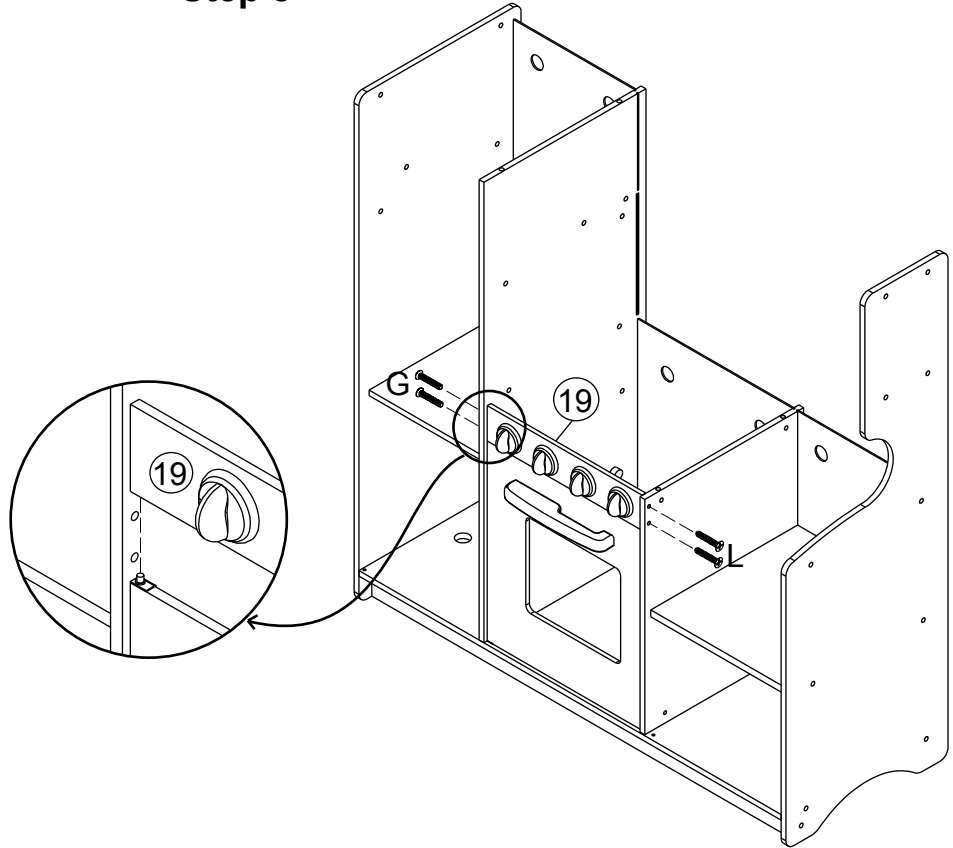


# Large Kitchen

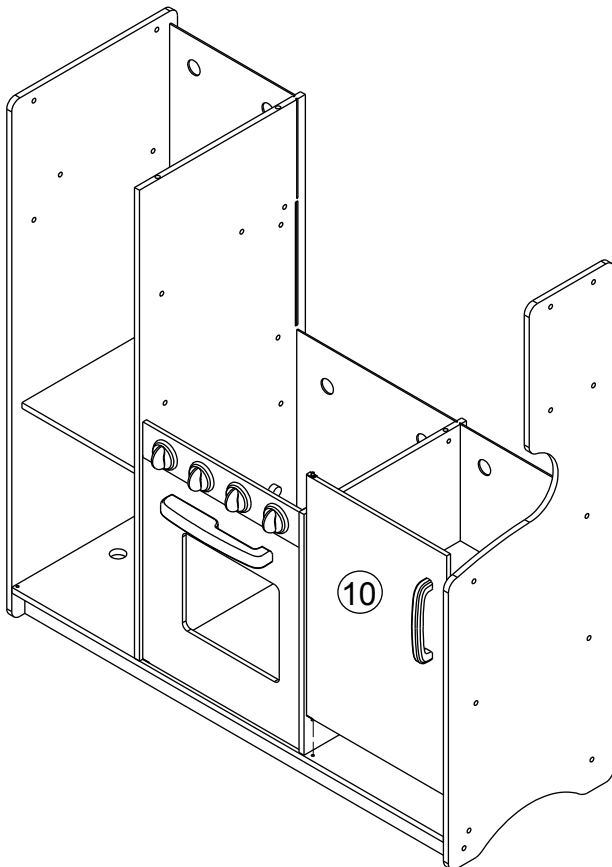
## Assembly Instructions

Item# 53181A

### Step 8



### Step 9

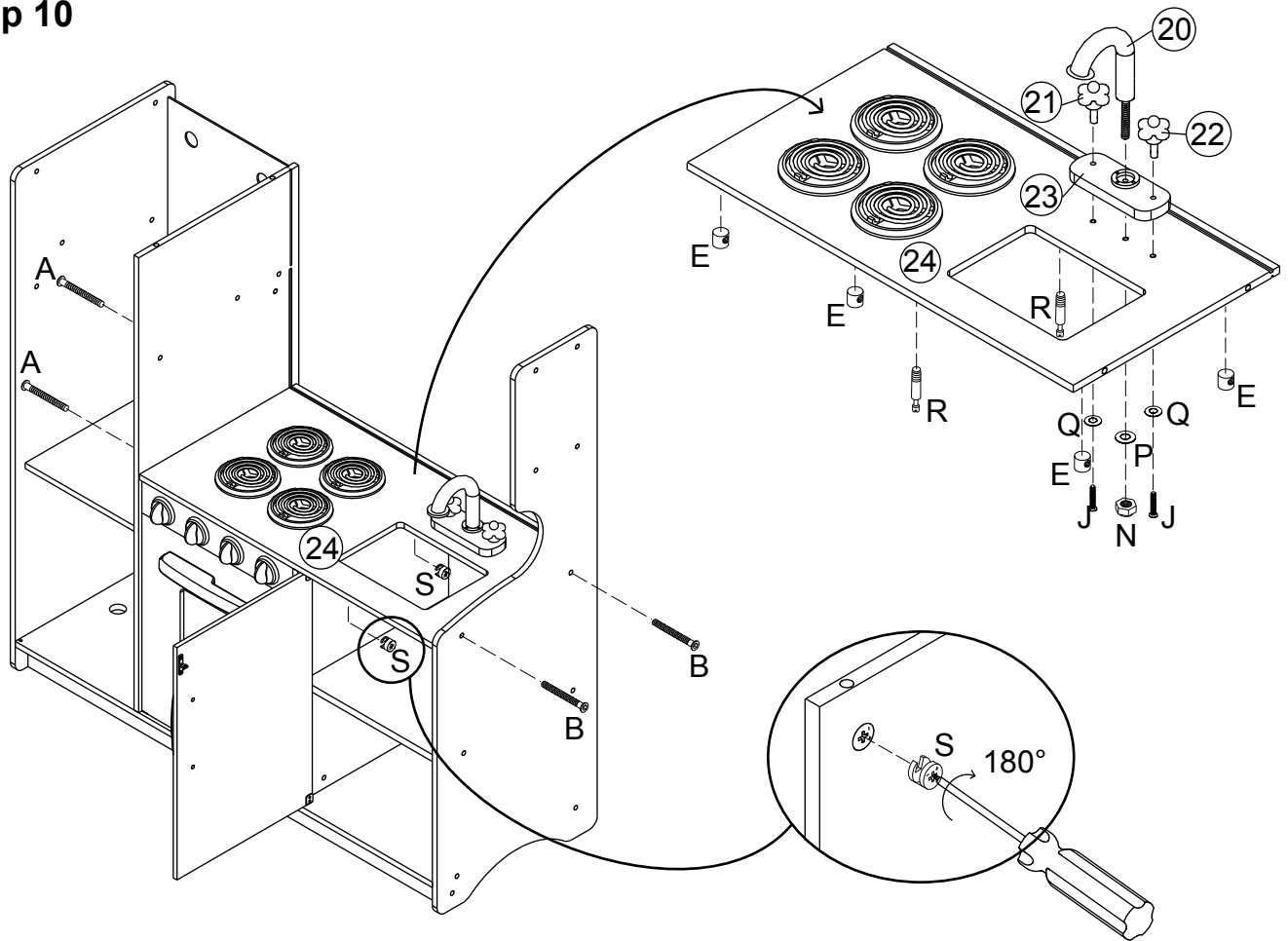


# Large Kitchen

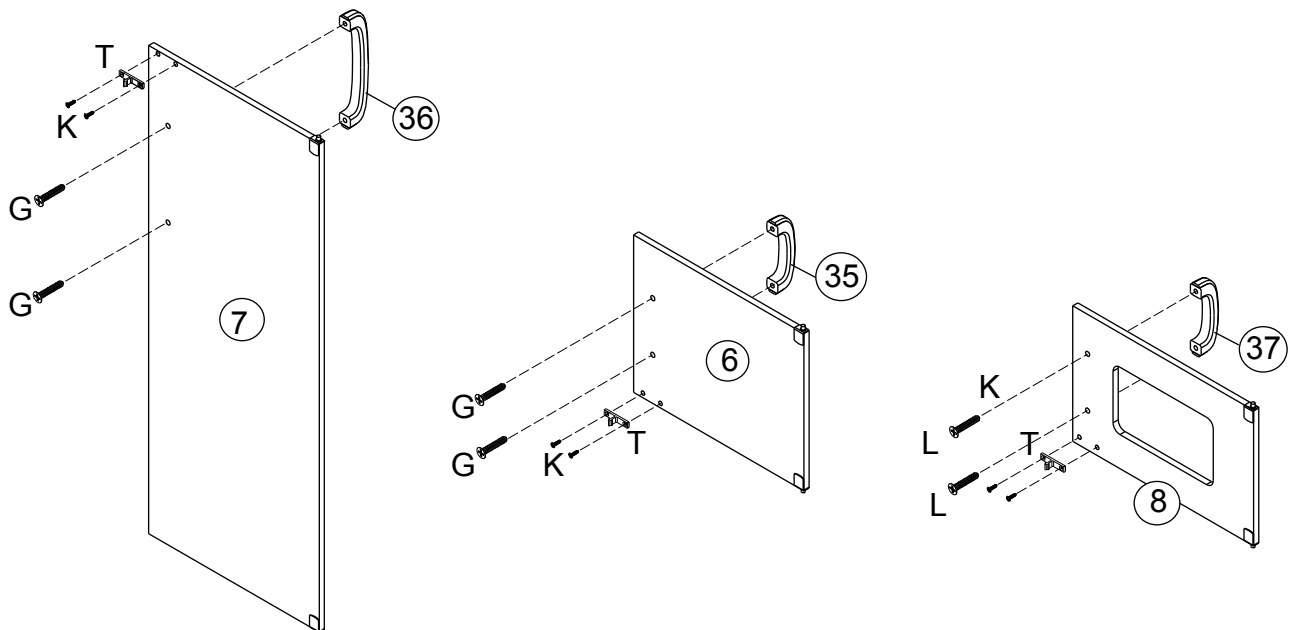
## Assembly Instructions

Item# 53181A

### Step 10



### Step 11

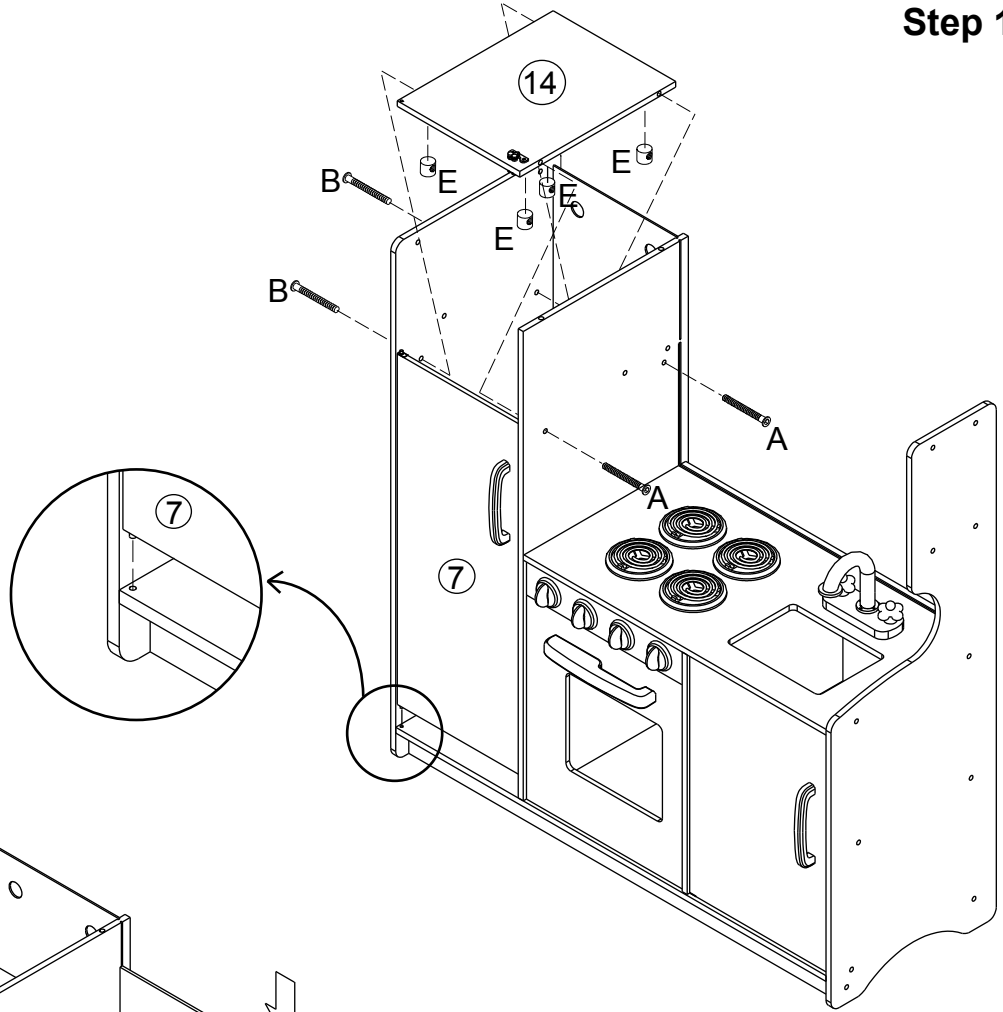


# Large Kitchen

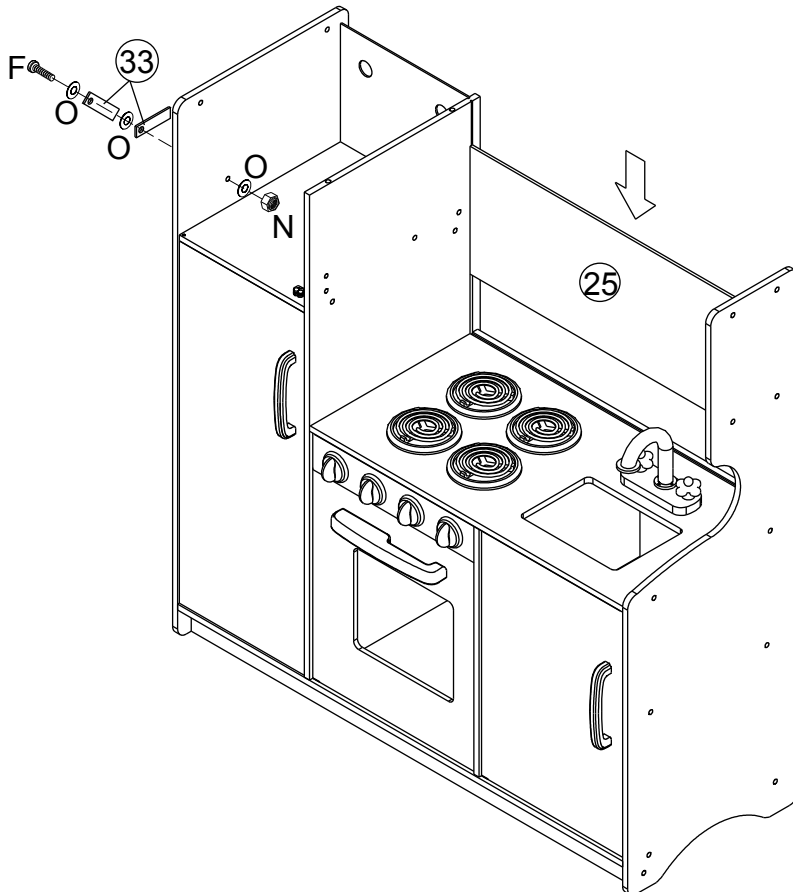
## Assembly Instructions

Item# 53181A

### Step 12



### Step 13



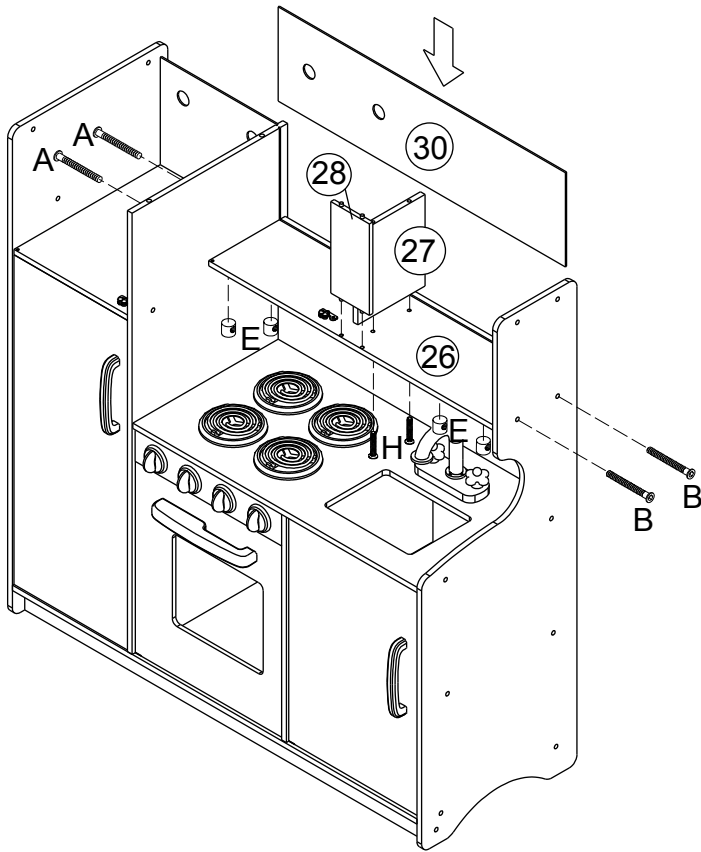


# Large Kitchen

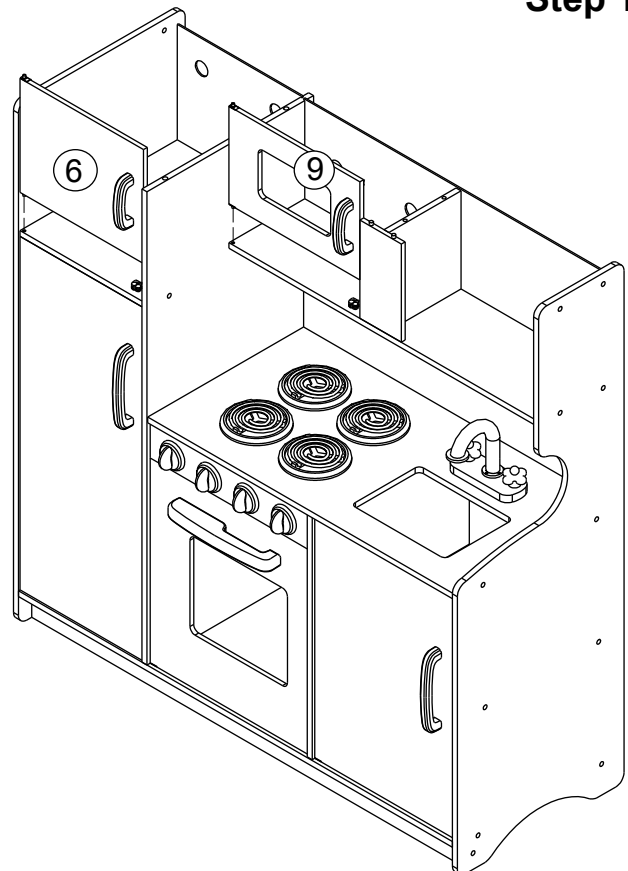
## Assembly Instructions

Item# 53181A

### Step 14



### Step 15

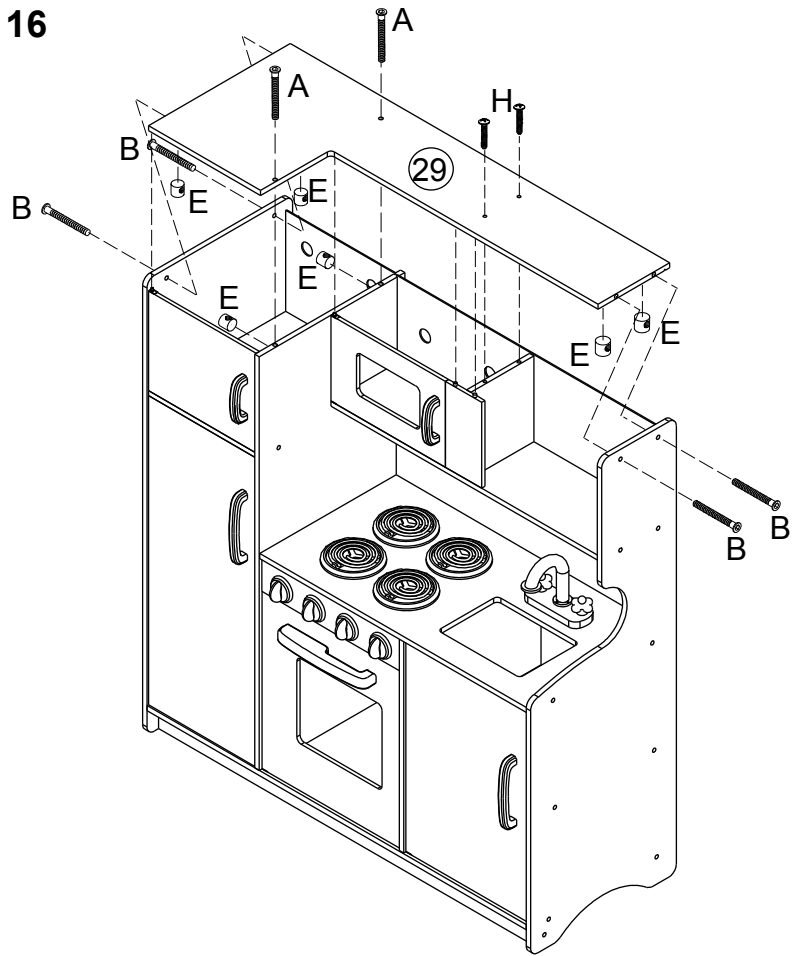


# Large Kitchen

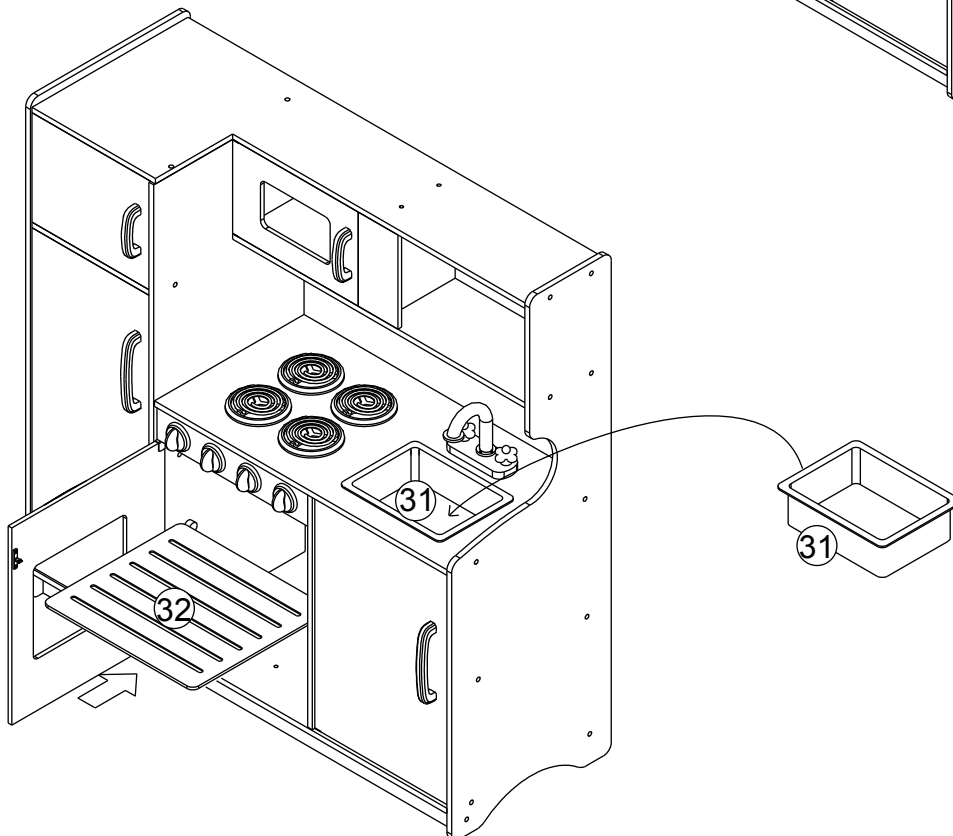
## Assembly Instructions

Item# 53181A

### Step 16



### Step 17



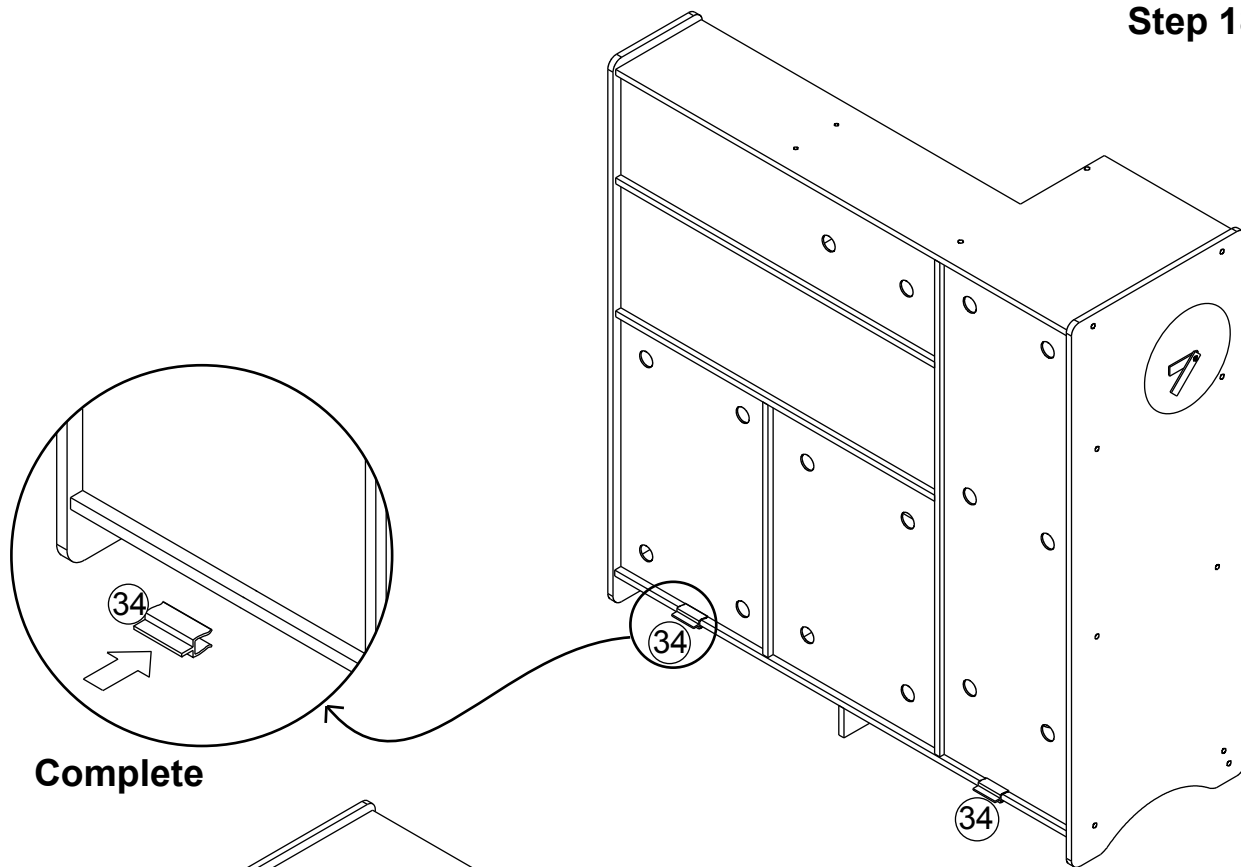
**Customer Service**  
 1-800-933-0771  
 www.kidkraft.com

# Large Kitchen

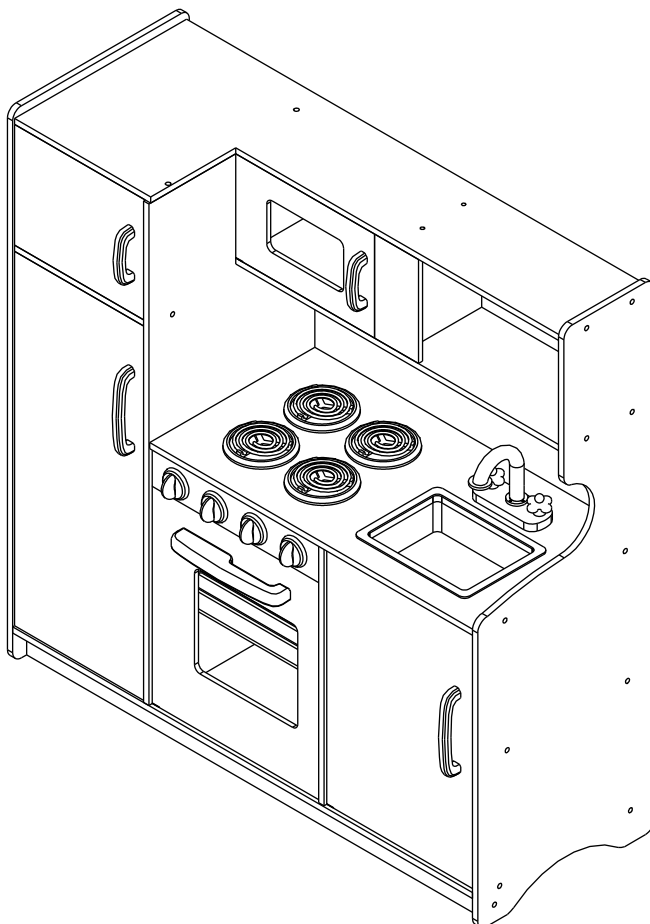
## Assembly Instructions

Item# 53181A

### Step 18



**Complete**





#### **Wall anchor kit**

Now that you've assembled your kitchen, will it be placed against a wall? For additional stability, KidKraft offers a Wall Anchor Kit giving you the option of attaching the kitchen to your wall. The kit is free of charge plus \$2.00 for shipping and handling. Just call customer service at 1-800-933-0771 or go to [www.kidkraft.com](http://www.kidkraft.com) to order.

#### **Parental supervision required.**

This toy is intended for children of a specific age or above. Parents should supervise the play area so that children younger than the intended age range do not interact with this toy. Use this toy on the floor. Do not allow children to climb on or around or in the toy.

## **IMPORTANT INFORMATION - PLEASE READ FIRST**

ALL OF OUR WOODEN ITEMS ARE HANDCRAFTED, HAND ASSEMBLED, AND HAND PAINTED. EACH ONE IS UNIQUE. SLIGHT IMPERFECTIONS MAY OCCUR AND ARE NOT MANUFACTURING DEFECTS.

PLEASE NOTE THAT WE DO NOT WARRANTY AGAINST THE USE OF PERMANENT MARKERS, NON-WATER-BASED PAINTS, CRAYONS, OR WASHABLE MARKERS. SOME OF THESE ITEMS CONTAIN PERMANENT COLOR DYES THAT COULD DAMAGE THE SURFACE.

## **CLEANING INSTRUCTIONS**

CLEAN THE SURFACE USING A SLIGHTLY DAMP CLOTH AND MILD DISH WASHING LIQUID IF NECESSARY. DO NOT USE ANY CLEANING PRODUCT CONTAINING ALCOHOL OR AMMONIA. THESE WILL DULL THE SHINY SURFACE OF THE PRODUCT. FURNITURE POLISH WILL ALSO WORK TO CLEAN AND DUST OFF THE SURFACE.

WE RECOMMEND THAT YOU TEST ALL CLEANING MATERIALS ON THE UNDERSIDE OF ANY SURFACE THAT WOULD NOT BE SEEN DURING NORMAL USE OF THE PRODUCT. IF YOU HAVE QUESTIONS REGARDING THE MAINTENANCE OF THIS PRODUCT PLEASE FEEL FREE TO CALL US.

## **SOLE AND LIMITED WARRANTY**

THIS TOY IS WARRANTED SOLELY AGAINST MANUFACTURING DEFECTS FOR A PERIOD OF 90 DAYS FROM THE DATE OF PURCHASE, WHICH WARRANTY RUNS ONLY TO THE ORIGINAL USER OF THE TOY. IN THE EVENT OF A MANUFACTURING DEFECT, THE TOY WILL BE REPLACED OR THE PURCHASE PRICE REFUNDED, AT THE ELECTION OF THE MANUFACTURER. TO ACTIVATE AND PROTECT THIS WARRANTY, PRESERVE EVIDENCE OF ORIGINAL PURCHASE AND CAREFULLY INSPECT THE CONDITION OF THE TOY PRIOR TO AND AFTER ASSEMBLY, LOOKING FOR MISSING, DEGRADED, BROKEN OR HAZARDOUS PARTS, INCLUDING PARTS WHICH CAN BE SWALLOWED BY A CHILD, CAUSE A CHILD TO CHOKe, OR OTHERWISE CAUSE INJURY. SUCH PARTS MAY INCLUDE MAGNETS, WHEELS, HUBS, FASTENERS, AND CONNECTORS. SHOULD YOU OBSERVE ANY DEFECTS, DO NOT USE THE TOY AND IMMEDIATELY NOTIFY THE MANUFACTURER. FAILURE TO DO SO SHALL CONSTITUTE MISUSE. MISUSE, IMPROPER ASSEMBLY, FAILURE TO HONOR A WARNING, FAILURE TO SUPERVISE, INSPECT OR MAINTAIN THE TOY, OR DAMAGE TO THE TOY, WHETHER INTENTIONAL OR INADVERTENT, SHALL INVALIDATE THIS WARRANTY.

TO SUBMIT A WARRANTY CLAIM PLEASE CONTACT KIDKRAFT CUSTOMER SERVICE AT 1-800-933-0771 FOR INSTRUCTIONS ON HOW TO PROVIDE PROOF OF PURCHASE AND HOW TO RETURN THE ITEM FREIGHT PRE-PAID.