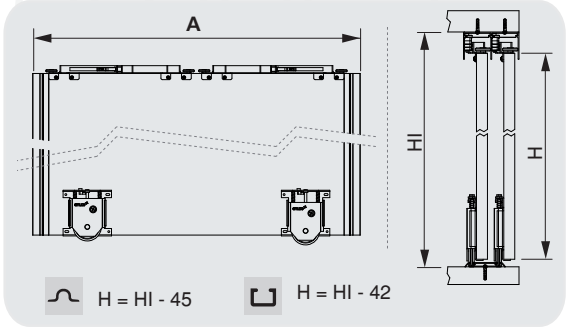
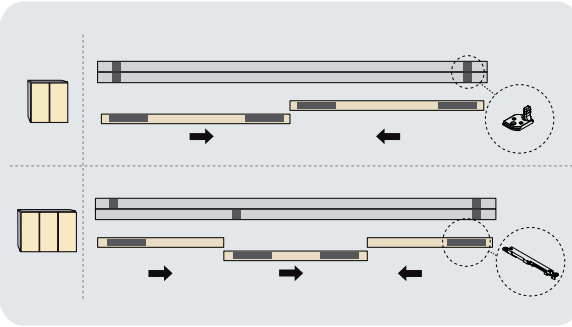
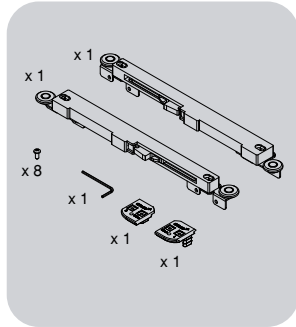


SLOWMOVE PLACARD

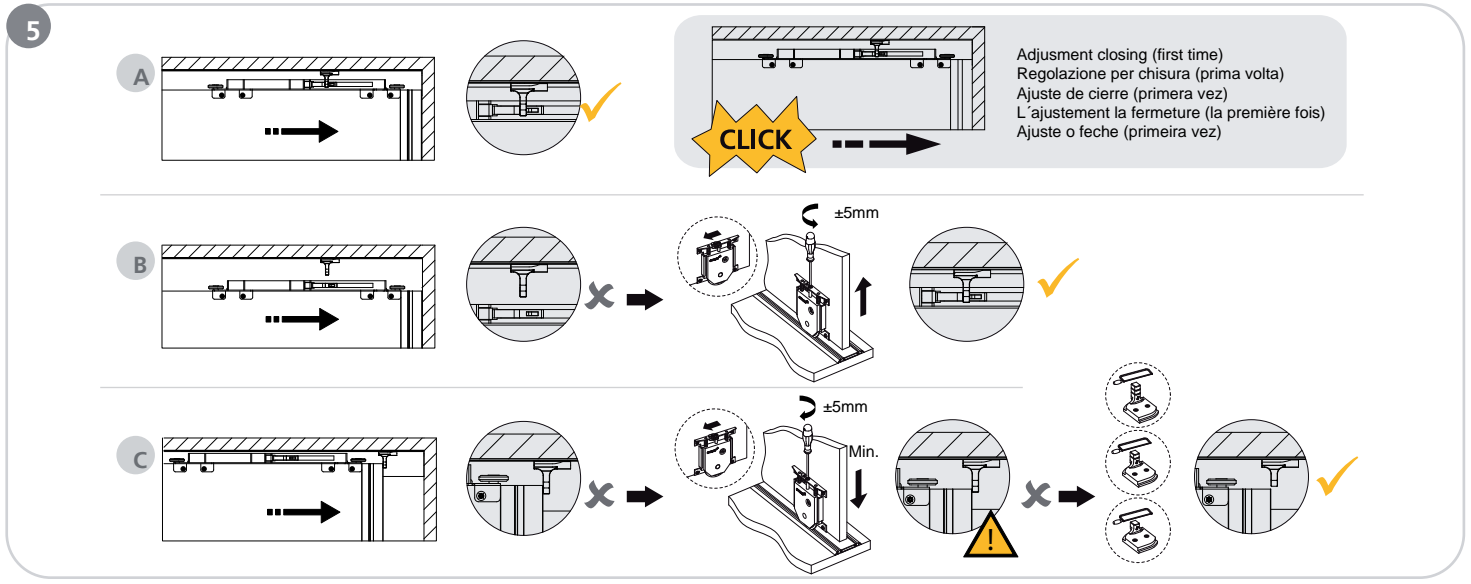
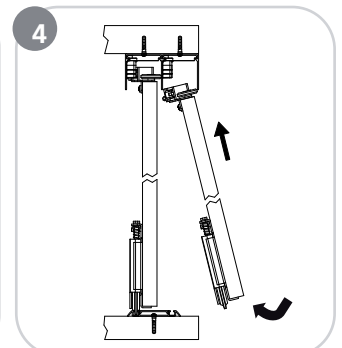
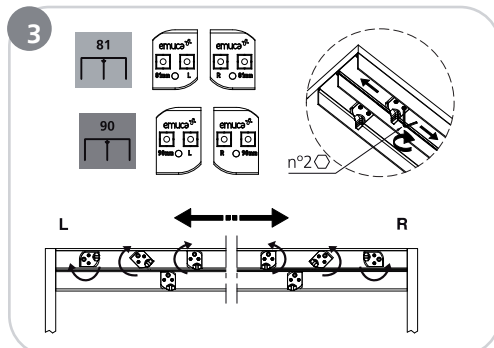
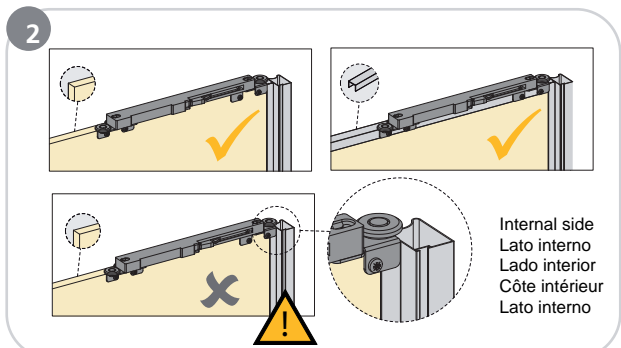


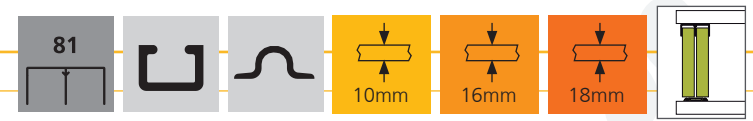
81	HANDLES MANIGLIE TIRADORES POIGNÉES PUXADORES	WAVE 10	STYLE 10	QUAD 16	SLIGHT 16	WAVE 16	WAVE 16E	SHARP 16	QUAD 18	WAVE 18	WAVE 18E	SHARP 18E
A		656 mm	674 mm	684 mm	662 mm	656 mm	656 mm	640 mm	684 mm	656 mm	656 mm	640mm

90	HANDLES MANIGLIE TIRADORES POIGNÉES PUXADORES	VALL 19	HILL 19	LINE 19	HANDY 19
A		636 mm	636 mm	628 mm	636 mm

1

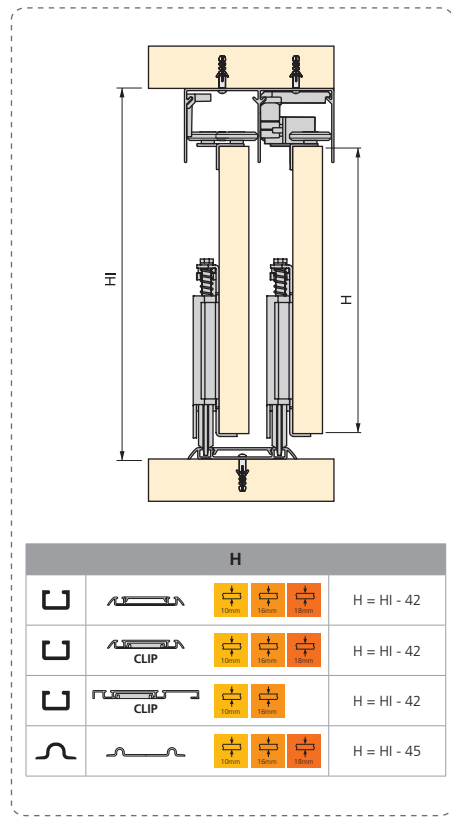
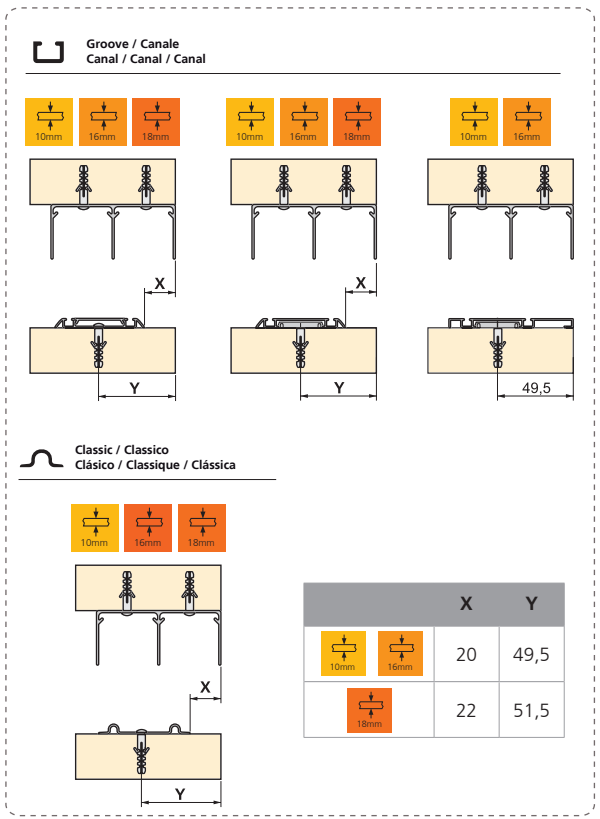
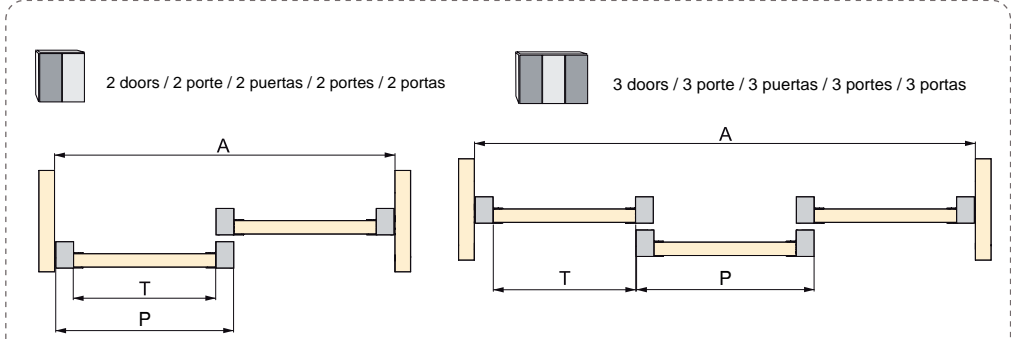
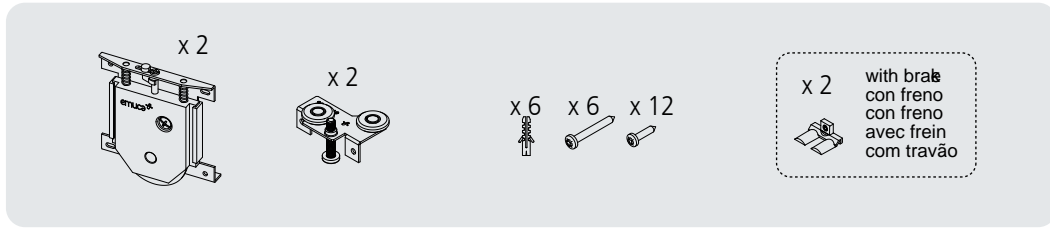
81	90	X	Y
10 / 16	10 / 16 / 18	20	49,5
18	19	22	51,5
19		29	60,5





PLACARD 81

Groove / Canale / Canal / Canal / Canal
 Classic / Classico / Clásico / Classique / Clássica



	10mm	16mm	18mm	18mm
Style	$T = \frac{A + 16}{2}$	$T = \frac{A + 35}{3}$	$P = \frac{A + 22}{2}$	$P = \frac{A + 44}{3}$
Wave	$T = \frac{A - 64}{2}$	$T = \frac{A - 86}{3}$	$P = \frac{A + 20}{2}$	$P = \frac{A + 40}{3}$
Slight	$T = \frac{A - 42}{2}$	$T = \frac{A - 52}{3}$	$P = \frac{A + 28}{2}$	$P = \frac{A + 53}{3}$
Sharp	$T = \frac{A - 45}{2}$	$T = \frac{A - 60}{3}$	$P = \frac{A + 15}{2}$	$P = \frac{A + 15}{3}$
Quad	$T = \frac{A - 105}{2}$	$T = \frac{A - 140}{3}$	$P = \frac{A + 35}{2}$	$P = \frac{A + 70}{3}$
Tri	$T = \frac{A - 45}{2}$	$T = \frac{A - 60}{3}$	$P = \frac{A + 15}{2}$	$P = \frac{A + 30}{3}$



EMUCA, S.A.
 Valencia (España)
 T. +34 96 166 70 19
 F. +34 96 166 71 82



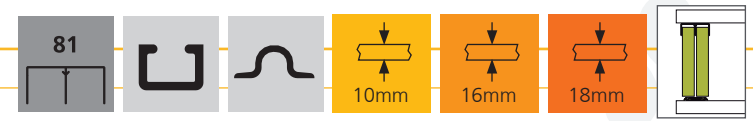
EMUCA, S.R.L.
 Padova (Italy)
 T. +39 049 8702800
 F. +39 049 8703019



EMUCA, Ltd.
 Chelmsford ESSEX (UK)
 T. +44 1268 530674
 F. +44 1268 828592

EMUCA, S.A.R.L.
 Nantes (France)
 T. +33 2 49 88 07 35
 F. +33 2 72 22 02 24

EMUCA, Lda.
 Lisboa (Portugal)
 T. +351 211 203 940
 F. +34 96 166 71 82



PLACARD 81

