

# My Dream Mansion

## Assembly Instructions

KidKraft Item #65082

Please retain this information for future reference

To order replacement parts, please visit [www.kidkraft.com](http://www.kidkraft.com)

HARDWARE		PARTS LIST:	Furniture Parts List:
<p><b>A. Pink Cross Dowel Bolt</b> x 10 pcs (1 11/16 in, 43 mm)</p> <p><b>B. Cross Dowel Nut</b> x 10 pcs</p> <p><b>C. Hex Bolt</b> x 4 pcs (1 9/16 in, 40 mm)</p> <p><b>D. Pink Screw</b> x 16 pcs (13/16 in, 21 mm)</p> <p><b>E. Light Brown Screw</b> x 4 pcs (13/16 in, 21 mm)</p> <p><b>F. Light Purple Screw</b> x 19 pcs (13/16 in, 21 mm)</p> <p><b>G. Screw</b> x 5 pcs (13/16 in, 21 mm)</p> <p><b>H. Pink Cross Dowel Bolt</b> x 3 pcs (3/8 in, 9 mm)</p>	<p><b>I. Pink Insert Bolt</b> x 3 pcs (1/2 in, 12 mm)</p> <p><b>J. Screw</b> x 4 pcs (9/16 in, 14 mm)</p> <p>Allen Wrench x 1 pc</p> <p>The following tools (not included) are required for assembly</p> <p>Phillips® Screwdriver</p> <p>Flat Head Screwdriver</p>		
		<b>Bed Assembly</b>	
		<p><b>Step 1</b></p> <p>*Repeat Step 1 for other bed.</p>	
		<b>Dollhouse Assembly</b>	
		<p><b>Step 1</b></p>	

**CAUTION:** Adult assembly required. Hardware contains small screws with sharp points. Keep unassembled parts out of the reach of small children.

**USE AND MAINTENANCE:**  
-Use on level surfaces only  
-Please check assembly at regular intervals, and frequently tighten hardware if necessary. If maintenance is not carried out, the product could cease to function properly

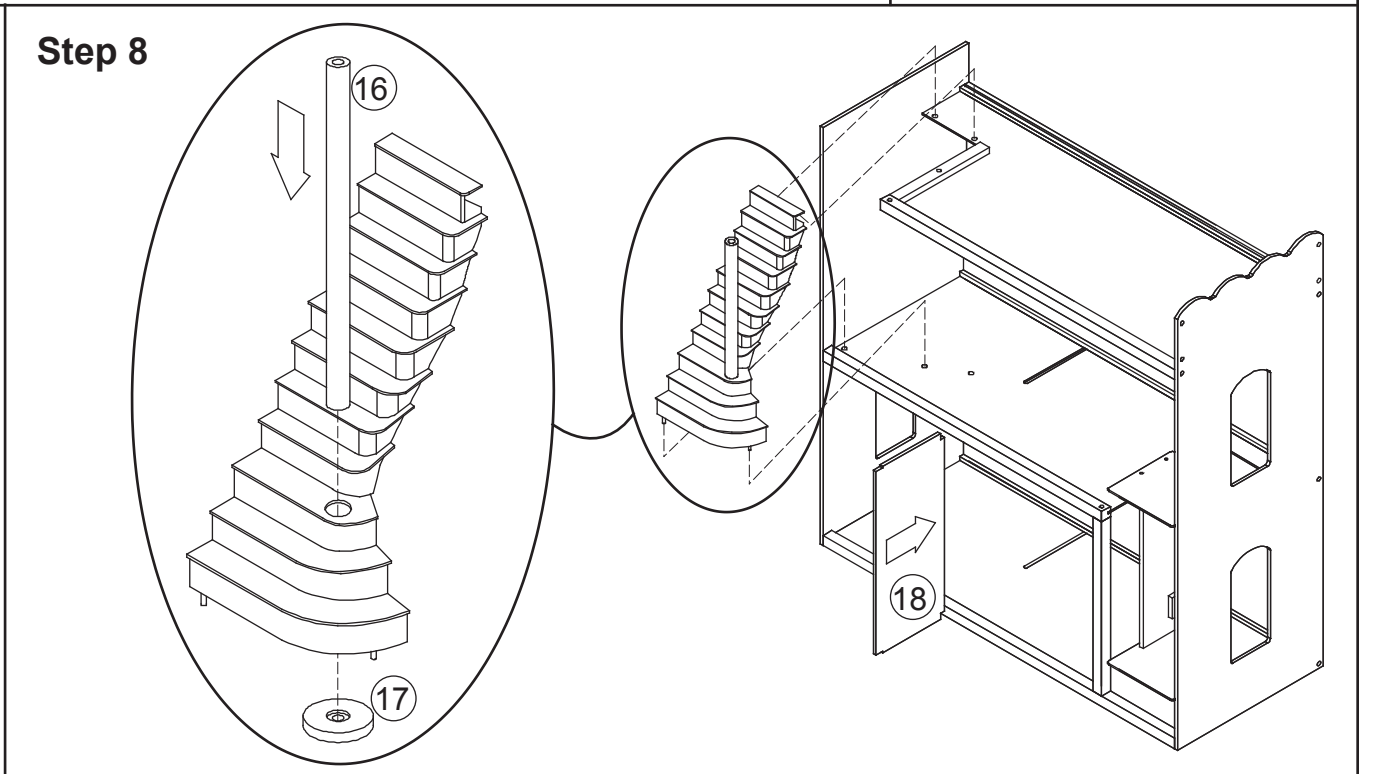
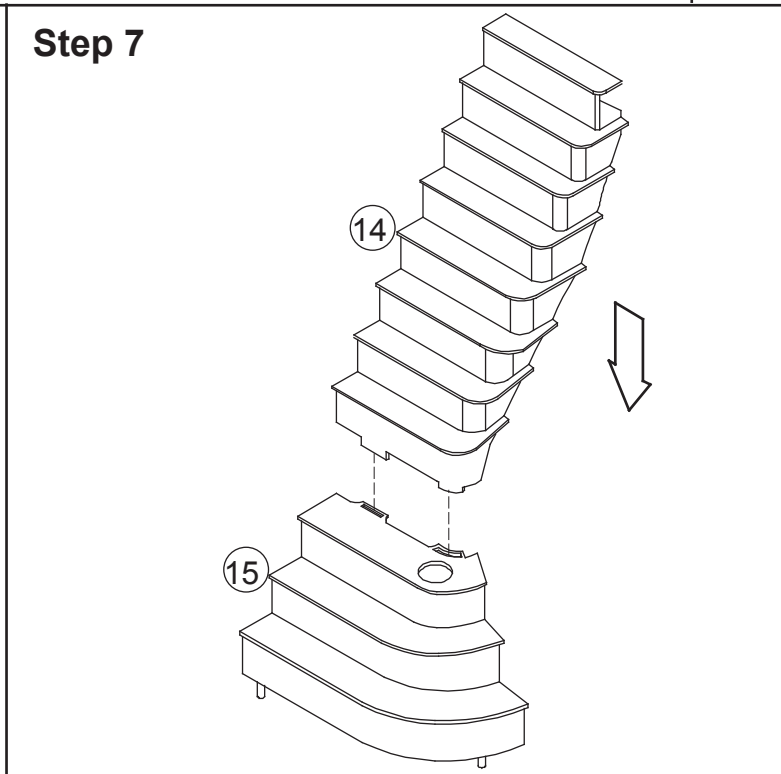
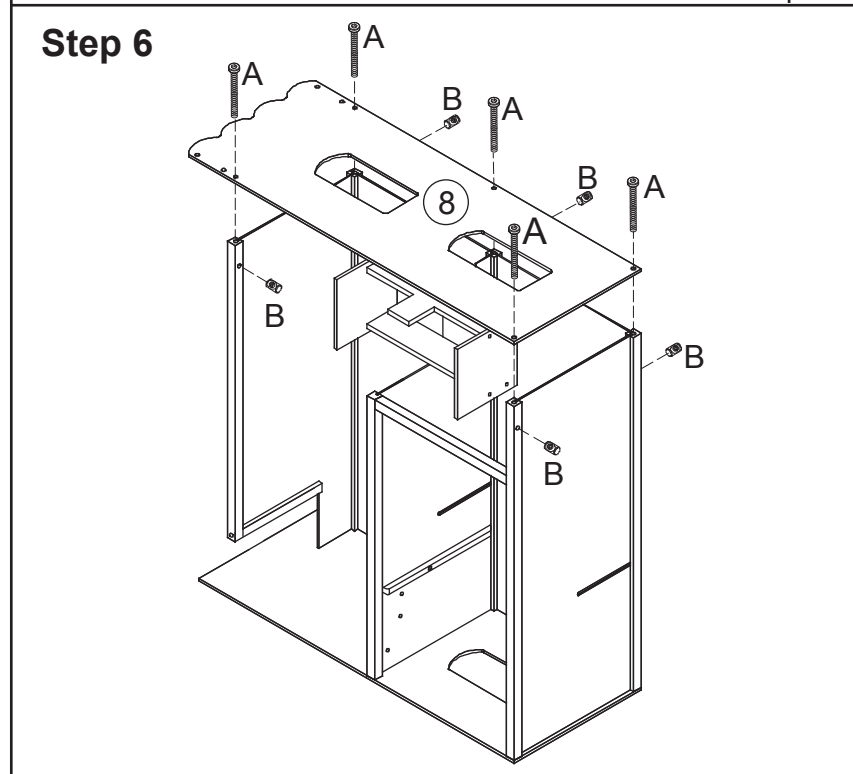
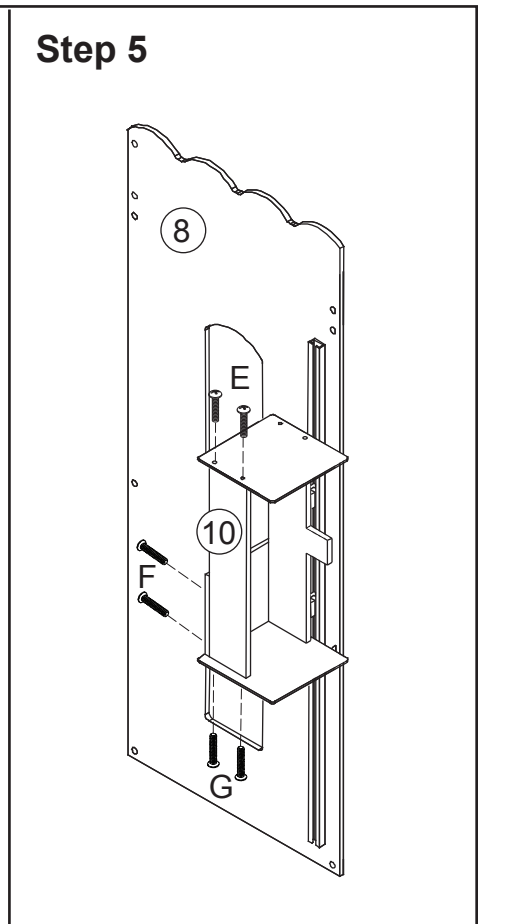
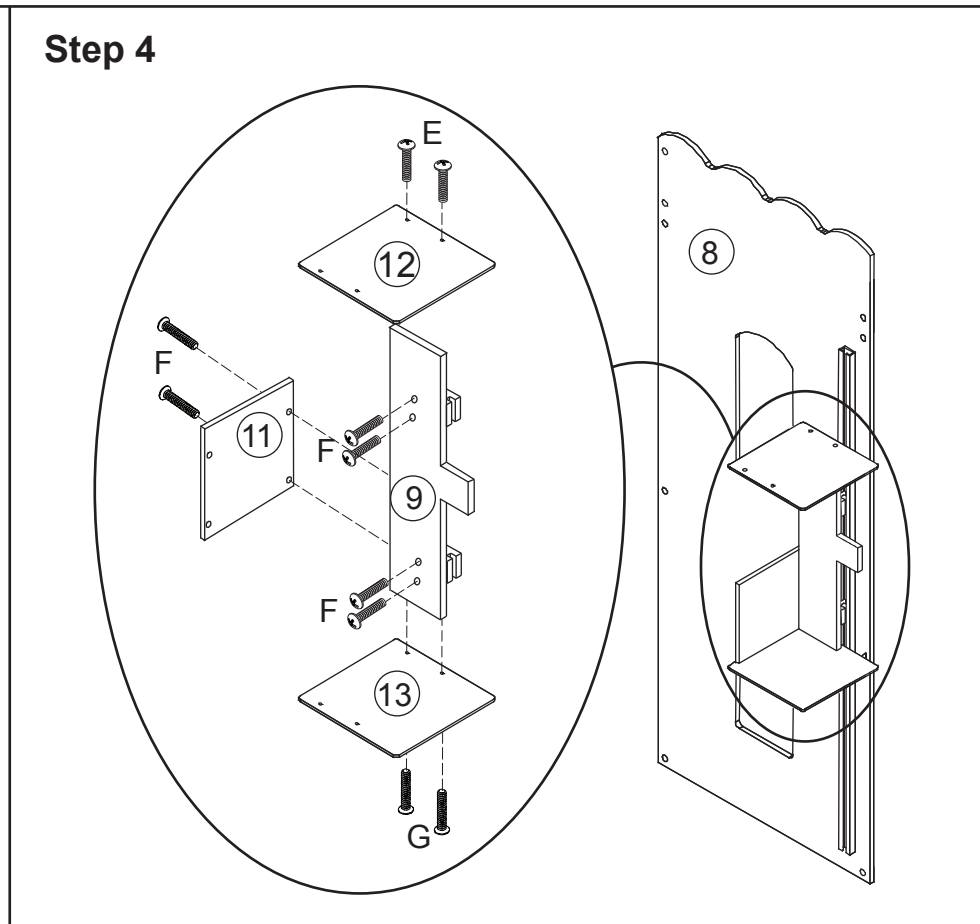
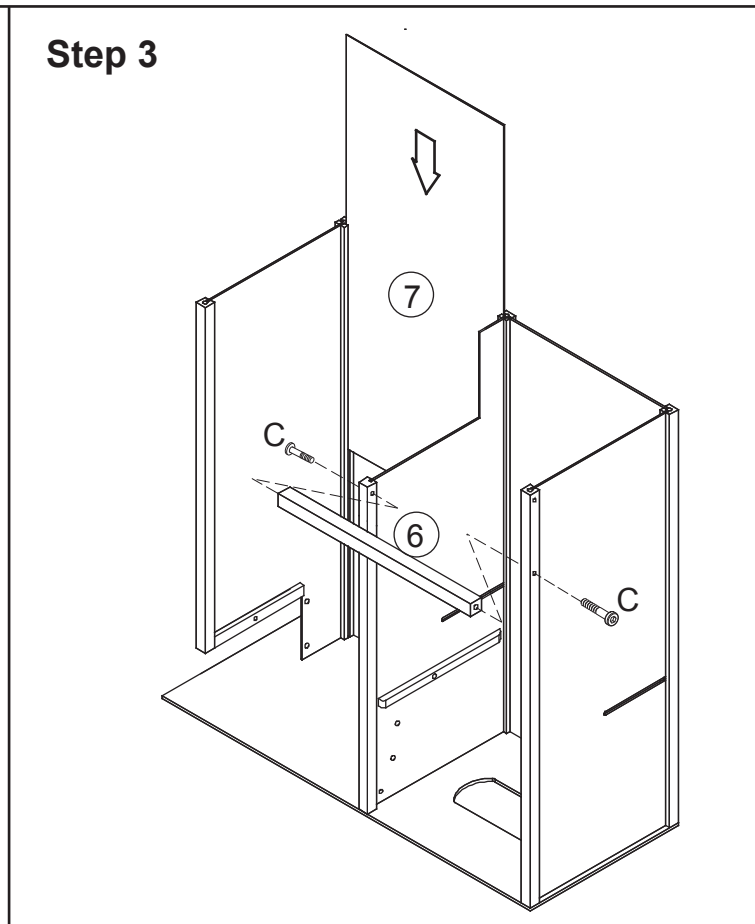
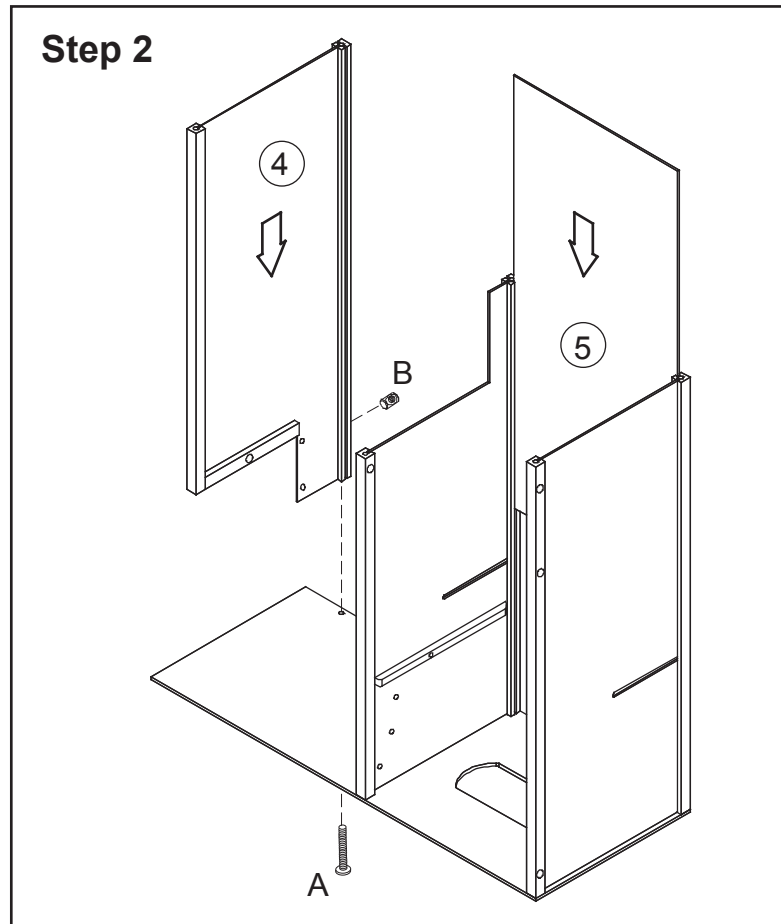
**WARNING: CHOKING HAZARD**  
Unassembled parts may be a choking hazard to children 3 years and younger.

**Customer Service**  
1-800-933-0771  
[www.kidkraft.com](http://www.kidkraft.com)

# My Dream Mansion

## Assembly Instructions

Kidkraft Item #65082



**CAUTION:** Adult assembly required. Hardware contains small screws with sharp points. Keep unassembled parts out of the reach of small children.

**USE AND MAINTENANCE:**  
-Use on level surfaces only  
-Please check assembly at regular intervals, and frequently tighten hardware if necessary. If maintenance is not carried out, the product could cease to function properly

**WARNING: CHOKING HAZARD**  
Unassembled parts may be a choking hazard to children 3 years and younger.

**Customer Service**  
1-800-933-0771  
www.kidkraft.com

# My Dream Mansion

## Assembly Instructions

Kidkraft Item #65082

<p><b>Step 8</b></p>	<p><b>Step 9</b></p>	<p><b>Step 10</b></p> <p>Attach curtains by pressing Velcro® together firmly</p>
<p><b>Step 11</b></p>	<p><b>Step 12</b></p>	<p><b>Complete</b></p>

**CAUTION:** Adult assembly required. Hardware contains small screws with sharp points. Keep unassembled parts out of the reach of small children.

**USE AND MAINTENANCE:**  
-Use on level surfaces only  
-Please check assembly at regular intervals, and frequently tighten hardware if necessary. If maintenance is not carried out, the product could cease to function properly

**WARNING: CHOKING HAZARD**  
Unassembled parts may be a choking hazard to children 3 years and younger.

**Customer Service**  
1-800-933-0771  
www.kidkraft.com



**Parental supervision required.**

This toy is intended for children of a specific age or above. Parents should supervise the play area so that children younger than the intended age range do not interact with this toy. Use this toy on the floor. Do not allow children to climb on or around or in the toy.

## **IMPORTANT INFORMATION - PLEASE READ FIRST**

ALL OF OUR WOODEN ITEMS ARE HANDCRAFTED, HAND ASSEMBLED, AND HAND PAINTED. EACH ONE IS UNIQUE. SLIGHT IMPERFECTIONS MAY OCCUR AND ARE NOT MANUFACTURING DEFECTS.

PLEASE NOTE THAT WE DO NOT WARRANTY AGAINST THE USE OF PERMANENT MARKERS, NON-WATER-BASED PAINTS, CRAYONS, OR WASHABLE MARKERS. SOME OF THESE ITEMS CONTAIN PERMANENT COLOR DYES THAT COULD DAMAGE THE SURFACE.

## **CLEANING INSTRUCTIONS**

CLEAN THE SURFACE USING A SLIGHTLY DAMP CLOTH AND MILD DISH WASHING LIQUID IF NECESSARY. DO NOT USE ANY CLEANING PRODUCT CONTAINING ALCOHOL OR AMMONIA. THESE WILL DULL THE SHINY SURFACE OF THE PRODUCT. FURNITURE POLISH WILL ALSO WORK TO CLEAN AND DUST OFF THE SURFACE.

WE RECOMMEND THAT YOU TEST ALL CLEANING MATERIALS ON THE UNDERSIDE OF ANY SURFACE THAT WOULD NOT BE SEEN DURING NORMAL USE OF THE PRODUCT. IF YOU HAVE QUESTIONS REGARDING THE MAINTENANCE OF THIS PRODUCT PLEASE FEEL FREE TO CALL US.

## **SOLE AND LIMITED WARRANTY**

THIS TOY IS WARRANTED SOLELY AGAINST MANUFACTURING DEFECTS FOR A PERIOD OF 90 DAYS FROM THE DATE OF PURCHASE, WHICH RUNS ONLY TO THE ORIGINAL USER OF THE TOY. IN THE EVENT OF A MANUFACTURING DEFECT, PARTS WILL BE REPLACED OR THE ENTIRE PRODUCT WILL BE REPLACED OR THE PURCHASE PRICE WILL BE REFUNDED, AT THE ELECTION OF THE MANUFACTURER. TO ACTIVATE AND PROTECT THIS WARRANTY, PRESERVE EVIDENCE OF ORIGINAL PURCHASE AND CAREFULLY INSPECT THE CONDITION OF THE TOY PRIOR TO AND AFTER ASSEMBLY, LOOKING FOR MISSING, DEGRADED, BROKEN OR HAZARDOUS PARTS, INCLUDING PARTS WHICH CAN BE SWALLOWED BY A CHILD, CAUSE A CHILD TO CHOKe, OR OTHERWISE CAUSE INJURY. SUCH PARTS MAY INCLUDE MAGNETS, WHEELS, HUBS, FASTENERS, AND CONNECTORS. SHOULD YOU OBSERVE ANY DEFECTS, DO NOT USE THE TOY AND IMMEDIATELY NOTIFY THE MANUFACTURER. FAILURE TO DO SO SHALL CONSTITUTE MISUSE. MISUSE, IMPROPER ASSEMBLY, FAILURE TO HONOR A WARNING, FAILURE TO SUPERVISE, INSPECT OR MAINTAIN THE TOY, OR DAMAGE TO THE TOY, WHETHER INTENTIONAL OR INADVERTENT, SHALL INVALIDATE THIS WARRANTY. THIS WARRANTY GIVES YOU SPECIFIC LEGAL RIGHTS, AND YOU MAY ALSO HAVE OTHER RIGHTS WHICH VARY FROM STATE TO STATE.

TO SUBMIT A WARRANTY CLAIM PLEASE CONTACT KIDKRAFT CUSTOMER SERVICE AT 1-800-933-0771 FOR INSTRUCTIONS ON HOW TO PROVIDE PROOF OF PURCHASE AND HOW TO RETURN THE ITEM FREIGHT PRE-PAID.