

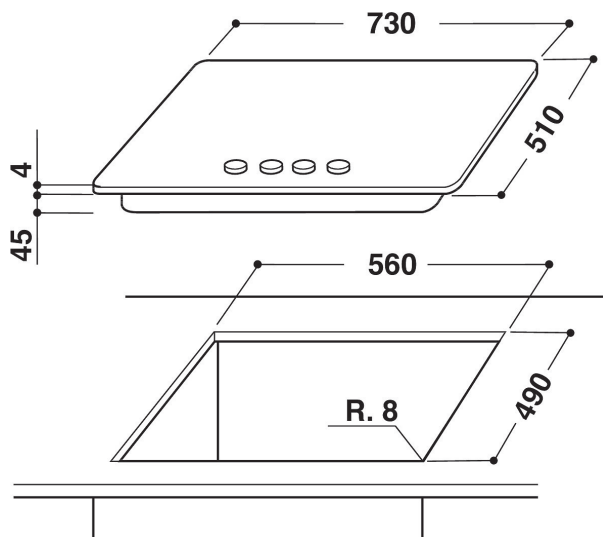
AKT 799/IXL

12NC: 859479938500

GTIN (EAN) code: 8003437936357

Whirlpool

SENSING THE DIFFERENCE



- iXelium Pan Support
- Electromagnetic safety device for each burner
- Silver painted body/Inox cap knobs
- 3 Twin Steel grids
- Front controls
- 75 cm hob
- Mechanical control
- Ignition type: knob
- 5 Burners
- 5 burners: 1 Semirapid 1400 W burner, 1 Rapid 3000 W burner, 1 Semirapid 1900 W burner, 1 Auxiliary 1000 W burner, and 1 Ultrarapid 4200 W burner.
- Supply cord included
- Dimensions HxWxD: 50x730x510 mm
- Niche dimensions HxWxD: 30x560x490 mm
- Voltage: 230 V
- Gas Connection Rating: 11500 W

Whirlpool gas hob: 5 gas burners - AKT 799/IXL

This Whirlpool gas Hob features: iXelium stain-resistant surface for effortless cleaning. Elegant flat cooktop design.



iXelium

Long lasting shine. The revolutionary iXelium treatment protects your hob from scratches and corrosion, ensuring a perfect shine, always. And, it's easy to clean: all you need is water and a soft cloth.



Flat Burners

Practical and pleasing. Enjoy easier to clean surfaces and elegant design, with this Whirlpool Hob's innovative flat-flame burners.



Vertical Flame

Innovative flame system. The unique vertical flame distribution system ensures your pots and pans are heated more efficiently and rapidly, helping you enjoy perfect cooking results.



Supreme/FLAT BURNER

Award-winning design. The Whirlpool iXelium cooktop won the prestigious Gold Design Award for its perfect pairing of technology and sophisticated design.



Easy to clean

Easy cleaning. With our easy-to-clean surfaces, all you need to make your hob shine is a clean, damp cloth.



Cast Iron Supports

Cast Iron pan supports for that professional look and maximum stability in use.



Front Controls

Complete control over your cooking. Easily accessible and genuinely intuitive, the controls are conveniently positioned on the front panel of your hob, providing a frictionless cooking experience.

AKT 799/IXL

12NC: 859479938500

GTIN (EAN) code: 8003437936357

Whirlpool

SENSING THE DIFFERENCE

MAIN FEATURES

Product group	Hob
Construction type	Built-in
Type of control	Mechanical
Type of control settings	-
Number of gas burners	5
Number of electric cooking zones	0
Number of electric plates	0
Number of radiant plates	0
Number of halogen plates	0
Number of induction plates	0
Number of electric warming zones	0
Location of control panel	Front
Basic surface material	Inoxclearcoat
Main colour of product	Inox
Electrical connection rating (W)	0
Gas connection rating (W)	11500
Current (A)	0,6
Voltage (V)	230
Frequency (Hz)	50
Length of Electrical Supply Cord (cm)	85
Plug type	No
Gas connection	Conic
Width of the product	730
Height of the product	50
Depth of the product	510
Minimum niche height	30
Minimum niche width	560
Niche depth	490
Net weight (kg)	11
Automatic programmes	No

TECHNICAL FEATURES

Power on indicator	No
Number of indicators	0
Type of regulation	Stepless energy regulated
Type of lid	Without
Residual heat indicator	Without
Main on/off switch	No
Safety device	-
Timer	No

PERFORMANCES

Energy input	Gas
--------------	-----