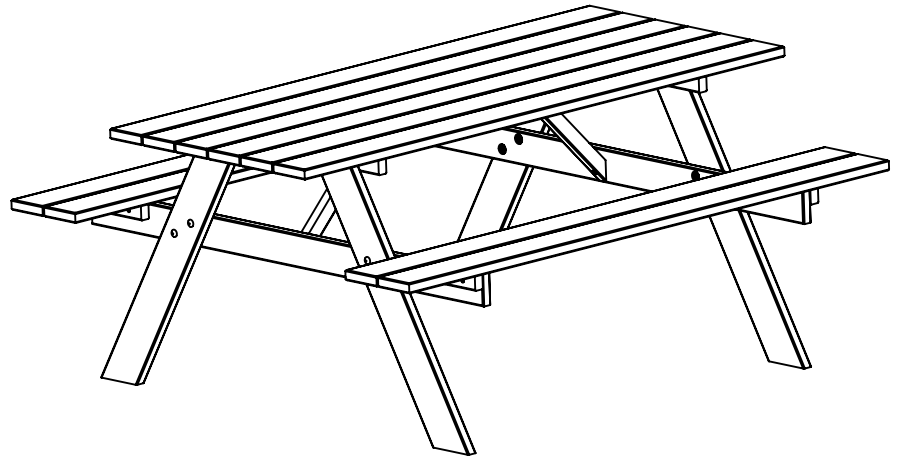
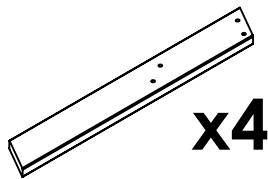


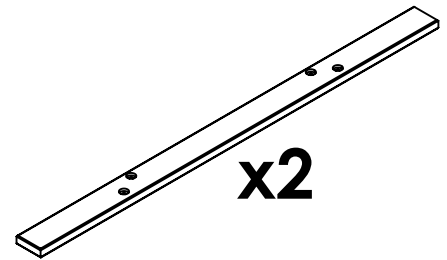
KSU12728



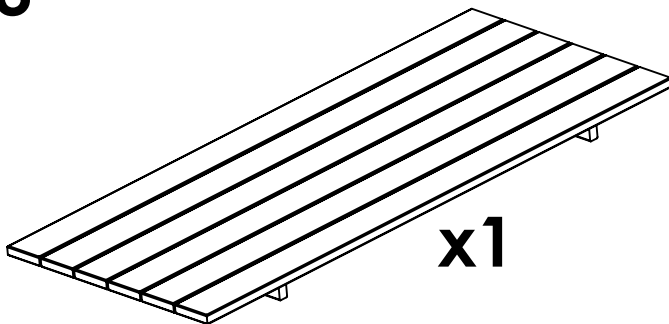
1



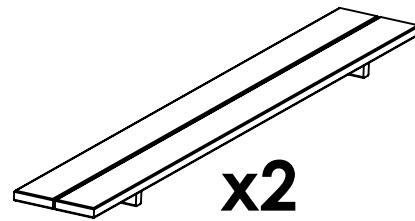
2



3



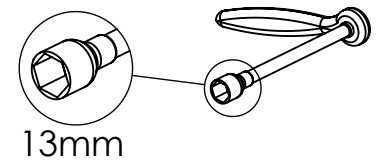
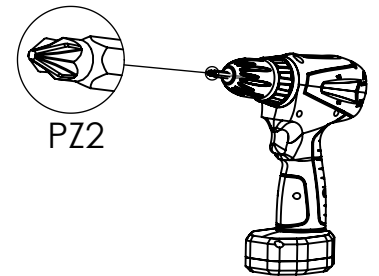
4



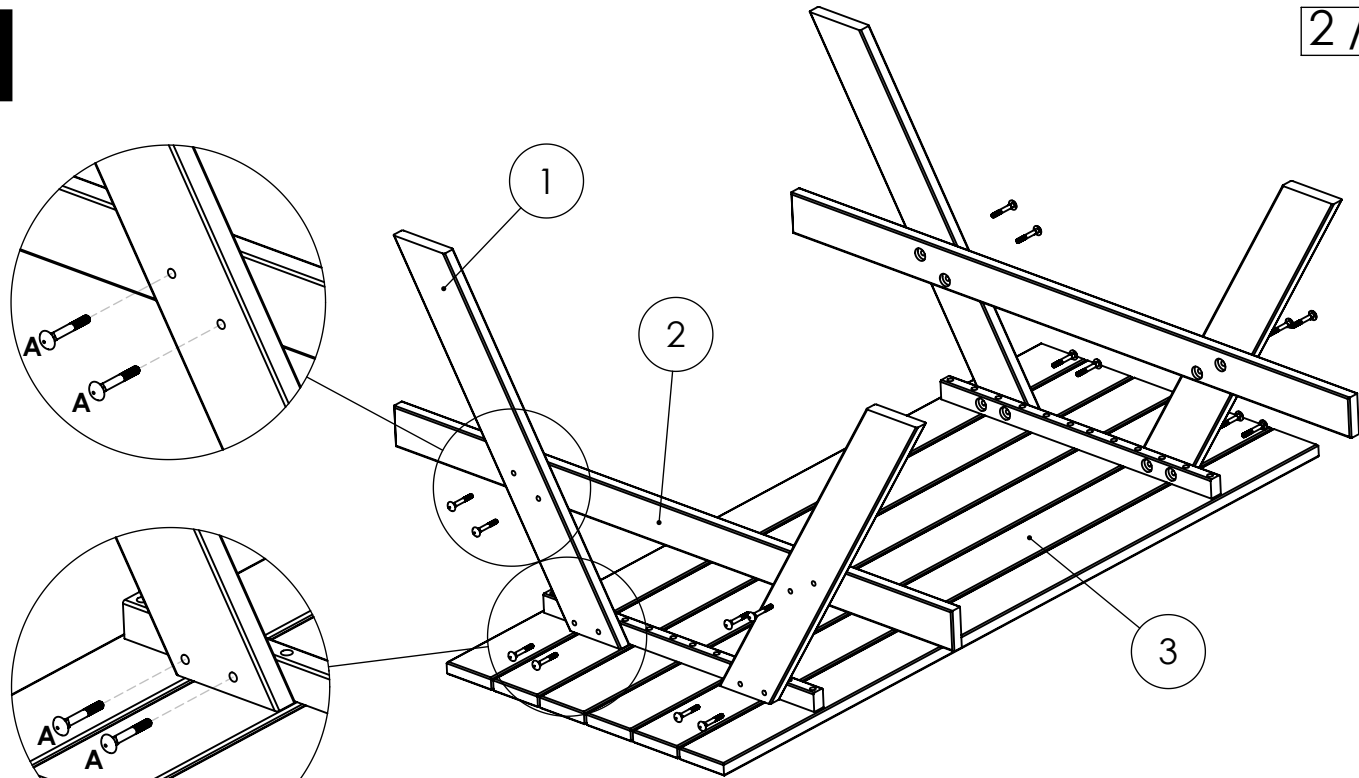
5

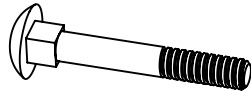


| | | | |
|----------|--|---------------|------------|
| A | | M8x60 | x16 |
| B | | M8 | x16 |
| C | | M8 | x16 |
| D | | 4,5x35 | x4 |
| E | | 5x50 | x8 |

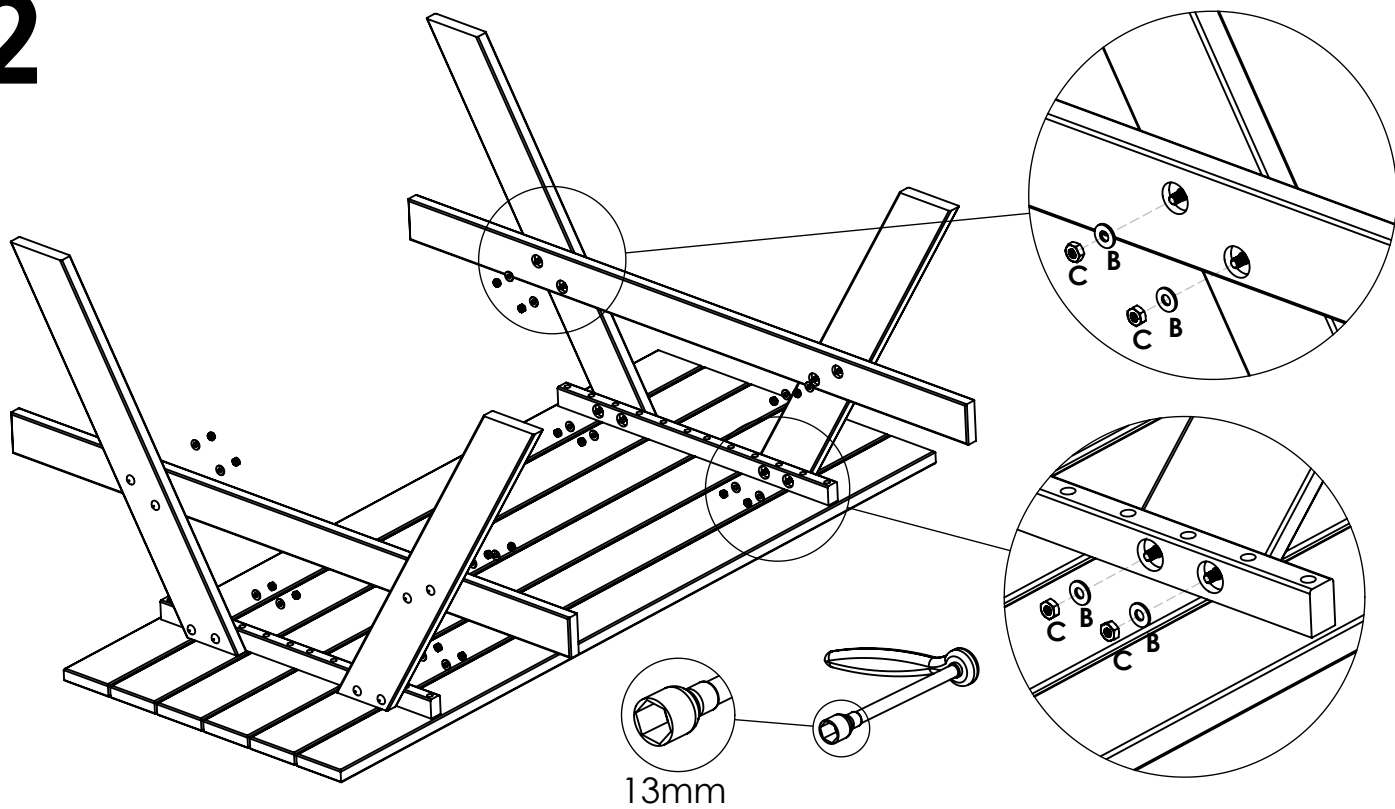




1



| | | | |
|----------|---|--------------|------------|
| A |  | M8x60 | x16 |
|----------|---|--------------|------------|

2

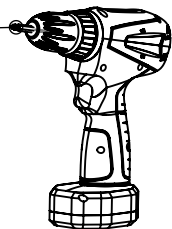


| | | | |
|----------|---|-----------|------------|
| B |  | M8 | x16 |
| C |  | M8 | x16 |

3

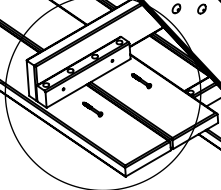
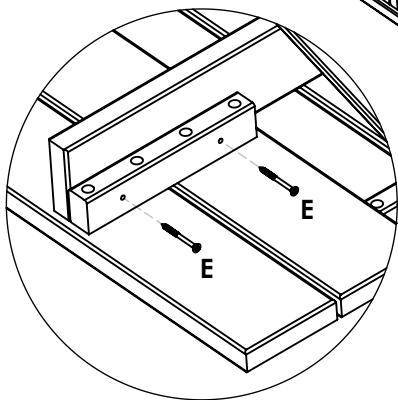


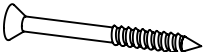
PZ2



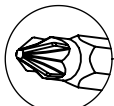
4

4

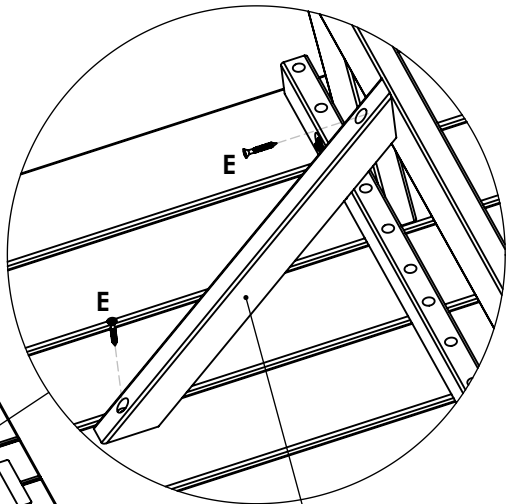
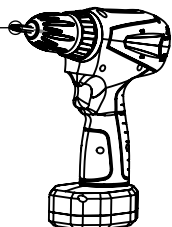


| | | | |
|----------|---|-------------|-----------|
| E |  | 5x50 | x8 |
|----------|---|-------------|-----------|

4




PZ2



5

5

| | | | |
|----------|--|---------------|-----------|
| D |  | 4,5x35 | x4 |
|----------|--|---------------|-----------|