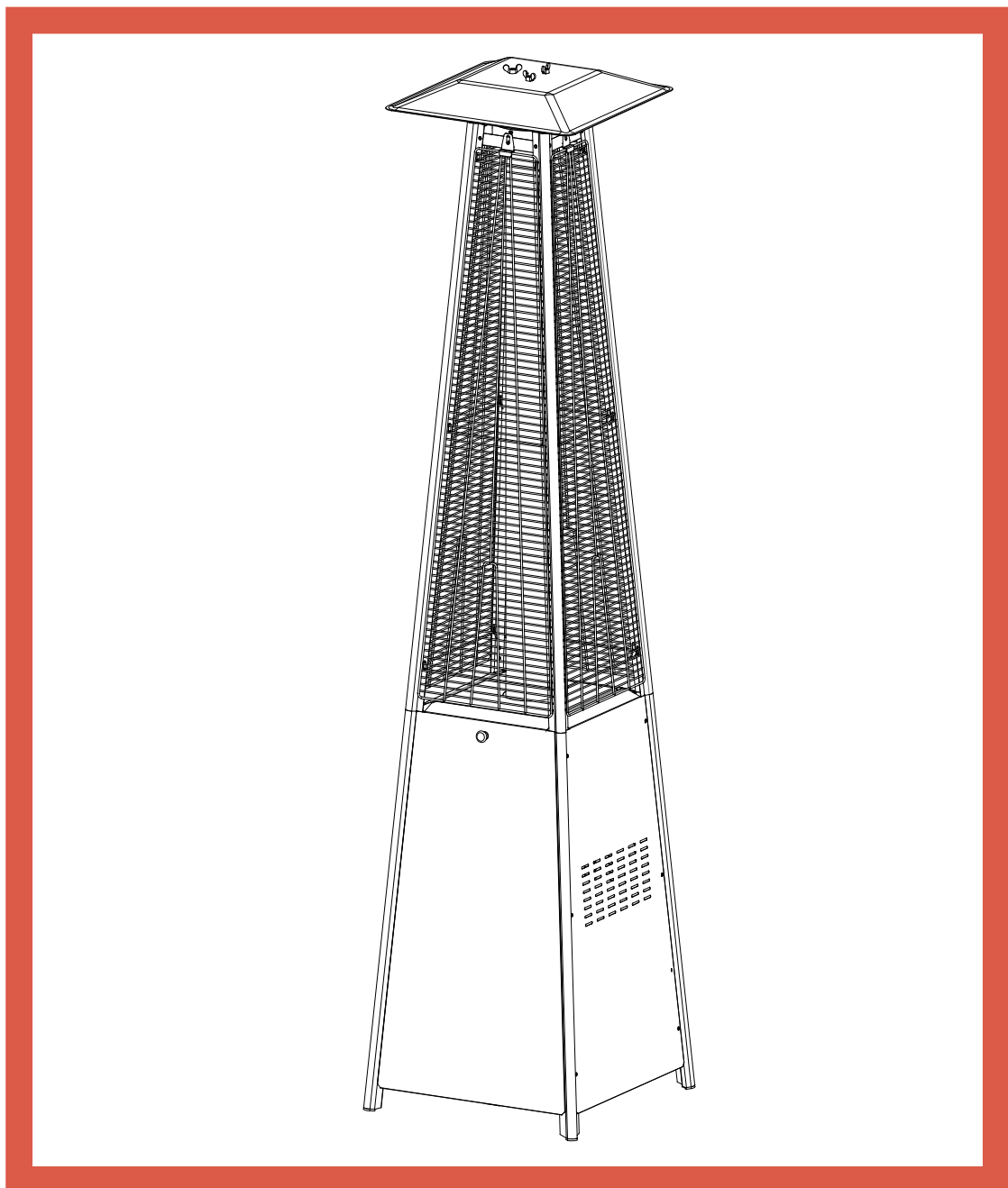




CALEFACCIÓN

QUARTZ GLASS TUBE PATIO HEATER

REF: KT0527



WARNING SAFETY RULES

PLEASE READ THE FOLLOWING SAFETY RULES PRIOR TO OPERATION OF THE HEATER

FOR YOUR SAFETY

If you smell gas:

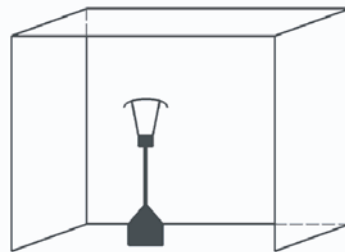
1. Shut off gas to the appliance.
2. Extinguish any open flame.
3. If odor continues, immediately call your gas supplier or your fire Department.

FOR YOUR SAFETY

1. Do not store or use gasoline or other flammable vapors and liquids in the vicinity of this or any other appliance.
2. An LP cylinder not connected for use shall not be stored in the vicinity of this or any other appliance.

WARNING

- 1) For use outdoors or in amply ventilated areas.
- 2) An amply ventilated area must have a minimum of 25 % of the surface area open.
- 3) The surface area is the sum of the walls surface.



WARNING: Improper installation, adjustment, alteration, service or maintenance Can cause injury or property damage. Read the installation, operating and maintenance instructions thoroughly before installing or servicing this equipment.

warning

Read the instructions before installation and use.

- This appliance must be installed and the gas cylinder stored in accordance with the regulations in force;
- Do not obstruct the ventilation holes of the cylinder housing;
- Do not move the appliance when in operation;
- Shut off the valve at the gas cylinder or the regulator before moving the appliance;
- The tubing or the flexible hose must be changed within the prescribed intervals;
- Use only the type of gas and the type of cylinder specified by the manufacturer;

The LP tank used with your patio heater must meet the following requirements:

Purchase LP tanks only with these required measurements:

(31.8cm) (diameter) x 58cm) (tall) with 15kg capacity maximum.

-In case of violent wind particular attention must be taken against tilting of the appliance; Keep the appliance at least 1m from the gas cylinder.

-The injector in this appliance is not removable and the injector is only assembled by manufacture. This appliance is forbidden to convert from one gas pressure to another pressure.

-Do not connect the gas cylinder directly to the appliance without regulator. Use only the type of gas and the type of cylinder specified in the instructions.

A regulator(complies with EN16129:2013 and the national regulation) of the correct pressure corresponding to the appliance category.

Use 30mbar regulator for butane/propane under the category I3B/P(30).

Use 30mbar regulator for butane under the category I3+(28-30/37).

Use 37mbar regulator for propane under the category I3+(28-30/37).

Use 50mbar regulator for butane/propane under the category I3B/P(50).

It's recommended to use flexible hose that approved by EN16436: 2014.

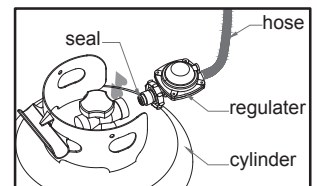
TABLE OF CONTENTS

Caution	1
Heater Stand and Location	2
Gas Requirements	2
Leakage Test	2
Operation and Storage	3
Cleaning and Care	4
Parts and Specifications	4
Assembly Parts and Procedures	6
Problems Check List	14

CAUTION

PLEASE READ CAREFULLY THE FOLLOWING SAFETY GUIDELINES BEFORE OPERATION.

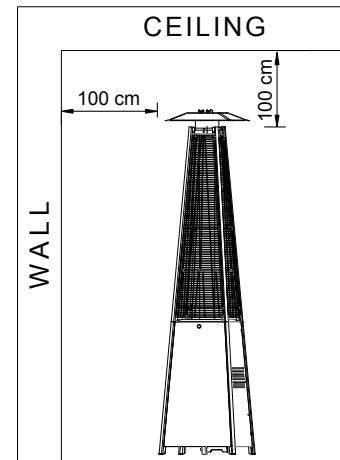
- Do not use the patio heater for indoors, as it may cause personal injury or property damage.
- This outdoor heater is not intended to be installed on recreational vehicles and/or boats.
- Installation and repair should be done by a qualified service person.
- Improper installation, adjustment, alteration can cause personal injury or property damage.
- Do not attempt to alter the unit in any manner.
- Never replace or substitute the regulator with any regulator other than the factory-suggested replacement.
- Do not store or use gasoline or other flammable vapors or liquids in the heater unit.
- The whole gas system, hose, regulator, pilot or burner should be inspected for leaks or damage before use, and at least annually by a qualified service person.
- All leak tests should be done with a soap solution. Never use an open flame to check for leaks.
- Do not use the heater until all connections have been leak tested.
- Turn off the gas valve immediately if smell of gas is detected. Turn Cylinder Valve OFF. If leak is at Hose/Regulator connection: tighten connection and perform another leak test. If bubbles continue appearing should be returned to hose's place of purchase. If leak is at Regulator/Cylinder Valve connection: disconnect, reconnect, and perform another leak check. If you continue to see bubbles after several attempts, cylinder valve is defective and should be returned to cylinder's place of purchase.
- Do not transport heater while it's operating.
- Do not move the heater after it has been turned off until the temperature has cooled down.
- Keep the ventilation opening of the cylinder enclosure free and clear of debris.
- Do not paint the radiant screen, control panel or top canopy reflector.
- Control compartment, burner and circulation air passageways of the heater must be kept clean. Frequent cleaning may be required as necessary.
- The LP tank should be turned off when the heater is not in use.
- Check the heater immediately if any of the following occurs:
 - The heater does not reach temperature.
 - The burner makes popping noise during use (a slight noise is normal when the burner is extinguished).
 - Smell of gas in conjunction with extreme yellow tipping of the burner flames.
- The LP regulator/hose assembly must be located out of pathways where people may trip over it or in area where the hose will not be subject to accidental damage.
- Any guard or other protective device removed for servicing the heater must be replaced before operating the heater.
- Adults and children should stay away from high temperature surface to avoid burns or clothing ignition.
- Children should be carefully supervised when they are in the area of the heater.
- Clothing or other flammable materials should not be hung on the heater or placed on or near the heater.
- To change the gas cylinder in a amply ventilated area, away from any ignition source (candle, cigarettes, other flame producing appliances, ...);
- To check that the regulator seal is correctly fitted and able to fulfill its function showed as photo right;
- To not obstruct the ventilation holes of the cylinder housing;
- To close the gas supply at the valve of the gas cylinder or the regulator after use;
- In the event of gas leakage, the appliance shall not be used or if alight, the gas supply shall be shut off and the appliance shall be investigated and rectified before it is used again;
- To check the hose at least once per month, each time the cylinder is changed, or each time before long time no use. If it shows signs of cracking, splitting or other deterioration it shall be exchanged for new hose of the same length and of the equivalent quality;
- The use of this appliance in enclosed areas can be dangerous and is PROHIBITED;
- Read the instructions before using this appliance. The appliance must be installed in accordance with the instructions and local regulations.
- For connection of hose and regulator, and connection of regulator and hose, please refer to photo showed above.
- This product contains small batteries. Swallowed small batteries can cause CHOCKING HAZARD. Seek immediate medical attention if batteries are swallowed or inhaled. Keep children away from the small batteries.



Hose/ Regulator connection and
Regulator / Cylinder connection

HEATER STAND AND LOCATION

- The heater is primarily for outdoor use only. Always ensure that adequate fresh air ventilation is provided.
- Always maintain proper clearance to non protected combustible materials i.e. top 100 cm and sides 100 cm minimum.
- Heater must be placed on level firm ground.
- Never operate heater in an explosive atmosphere like in areas where gasoline or other flammable liquids or vapors are stored.
- To protect heater from strong wind, anchor the base securely to the ground with screws.



GAS REQUIREMENTS

- Use propane, butane or their mixtures gas only.
- The pressure regulator and hose assembly to be used must conform to local standard codes.
- The installation must conform to local codes, or in the absence of local codes, with the standard for the storage and handling of liquid petroleum gases.
- A dented, rusted or damaged tank may be hazardous and should be checked by your tank supplier. Never use a tank with a damaged valve connection.
- The tank must be arranged to provide for vapor withdrawal from the operating cylinder.
- Never connect an unregulated tank to the heater.

LEAKAGE TEST

Gas connections on the heater are leak tested at the factory prior to shipment. A complete gas tightness check must be performed at the installation site due to possible mishandling in shipment or excessive pressure being applied to the heater.

- Make a soap solution of one part liquid detergent and one part water. The soap solution can be applied with a spray bottle, brush or rag. Soap bubbles will appear in case of a leak.
- The heater must be checked with a full cylinder.
- Make sure the safety control valve is in the OFF position.
- Turn the gas supply ON.
- In case of a leak, turn off the gas supply. Tighten any leaking fittings, then turn the gas supply on and re-check.
- Never leak test while smoking.

OPERATION AND STORAGE

TO TURN ON THE HEATER

1. Turn on the valve on the gas supply cylinder completely.
2. Press and turn the variable control knob to PILOT position (counter-clockwise 90°).
3. Press down the variable control knob and hold for 60 seconds. While holding down the variable control knob, press the igniter button several times until the pilot flame lights. Release the variable control knob after the pilot flame lights.

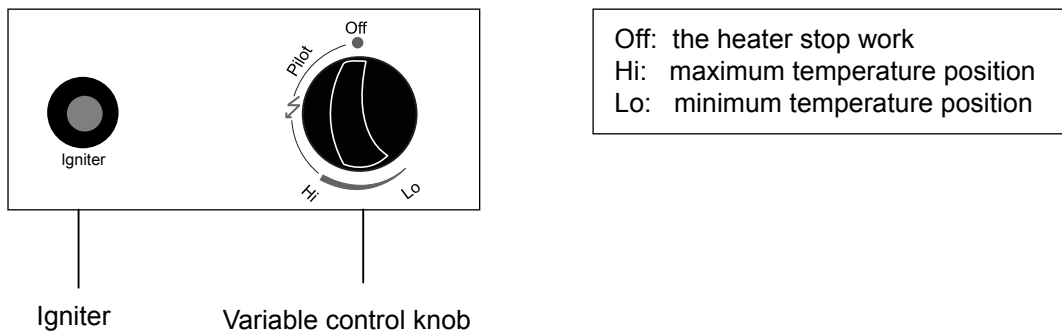
Note:

- If a new tank has just been connected, please allow at least one minute for the air in the gas pipeline to purge out through the pilot hole.
 - When lighting the pilot flame make sure that the variable control knob is continuously pressed down while pressing the igniter button. Variable control knob can be released after the pilot flame lights.
 - If the pilot flame does not light or it goes out, repeat step 3.
4. After the pilot flame lights, turn the variable control knob to maximum position and leave it there for 5 minutes or more before turning the knob to desired temperature position.

Warning: *check that no broken on the glass is found before operation.*

TO TURN OFF THE HEATER

1. Turn the variable control knob to PILOT position.
2. Press and turn the variable control knob to OFF position.



3. Turn off the valve on the gas supply cylinder completely.

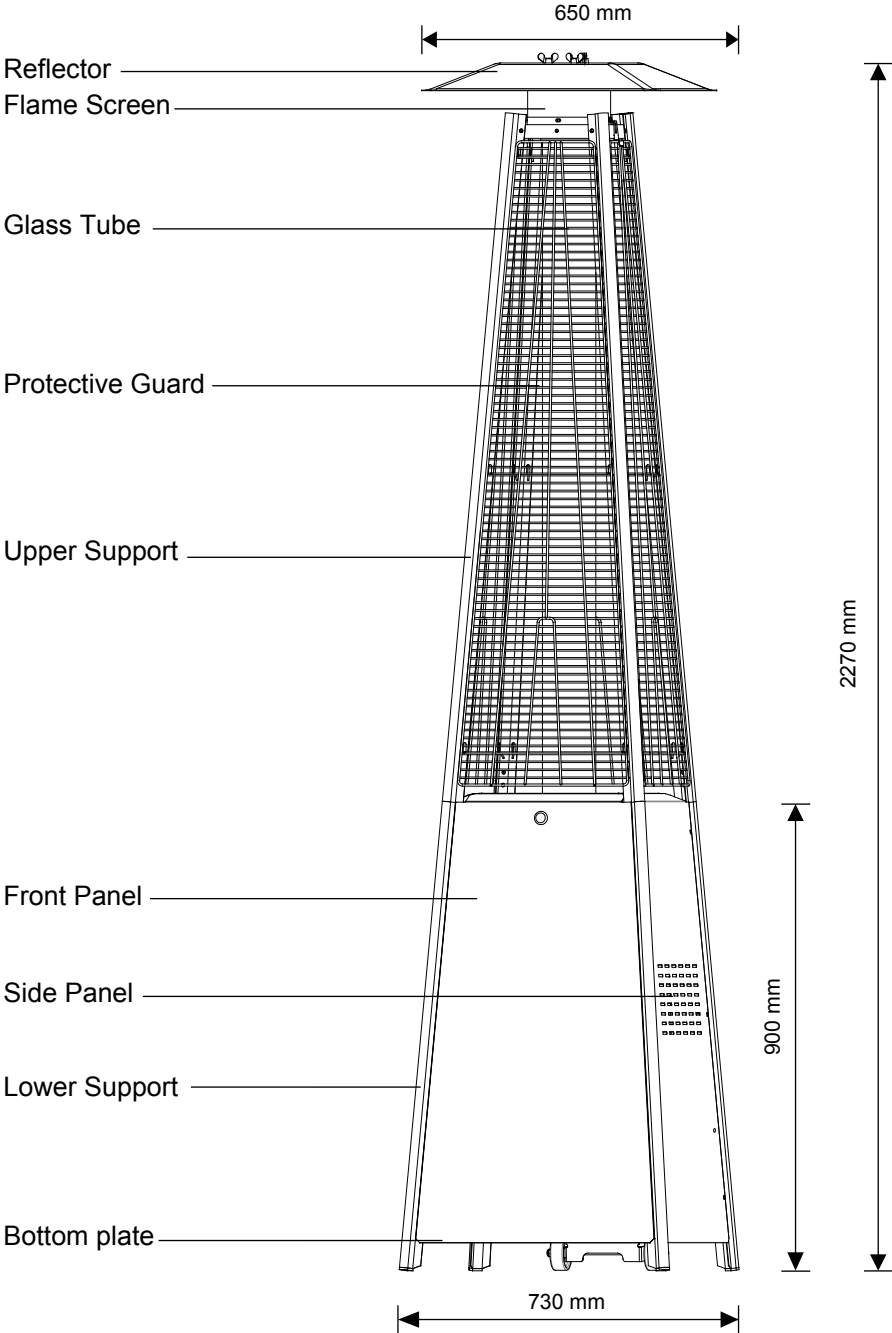
Storage

1. Always close the gas valve of the gas cylinder after use or in case of a disturbance.
2. Remove the pressure regulator and the hose.
3. Check the tightness of the gas valve and for damage. If you suspect a damage, have it changed by your gas dealer.
4. Never store liquid gas cylinder in a sub-terrain, or at places without adequate air ventilation.

CLEANING AND CARE

- Wipe off powder coated surfaces with soft, moist rag. Do not clean heater with cleaners that are combustible or corrosive.
- Remove debris from the burner to keep it clean and safe for use.
- Cover the burner unit with the optional protective cover when the heater is not in use.

PARTS AND SPECIFICATIONS



A. Construction and characteristics

- Transportable terrace/garden heater with tank housing.
- Casing in steel with powder-coating or in stainless steel.
- Gas hose connections with metal clamp (screw caps for Germany).
- Heat emission from reflector.

B. Specifications

- Use propane, butane or their mixtures gas only.
- Max. wattage: 13000 watts
- Min. wattage: 5000 watts
- Consumption:

APPLIANCE CATEGORY:	I ₃₊ (28-30/37)		I _{3B/P} (30)	I _{3B/P} (50)	I _{3B/P} (37)
TYPES OF GAS:	Butane	Propane	Butane, propane or their mixtures	Butane, propane or their mixtures	Butane, propane or their mixtures
GAS PRESSURE:	28-30mbar	37 mbar	30 mbar	50mbar	37mbar
OUTLET PRESSURE OF REGULATOR:	30mbar	37 mbar	30 mbar	50mbar	37mbar

- Using the proper regulator according to outlet pressure of regulator as showed in the table above.

C. Table of injector

APPLIANCE CATEGORY:	I ₃₊ (28-30/37)		I _{3B/P} (30)	I _{3B/P} (50)	I _{3B/P} (37)
TYPES OF GAS:	Butane	Propane	Butane, propane or their mixtures	Butane, propane or their mixtures	Butane, propane or their mixtures
GAS PRESSURE:	28-30mbar	37 mbar	30 mbar	50mbar	37mbar
TOTAL HEAT INPUT (Hs): (Qn)	13kW (G30:945g/h; G31:929g/h)				
INJECTOR SIZE:	1.88 mm for main burner 0.18 mm for pilot burner			1.55 mm for main burner 0.18 mm for pilot burner	1.65 mm for main burner 0.18 mm for pilot burner
The marking, for example, 1.88 on the injector, indicates that the size of injector is 1.88mm					

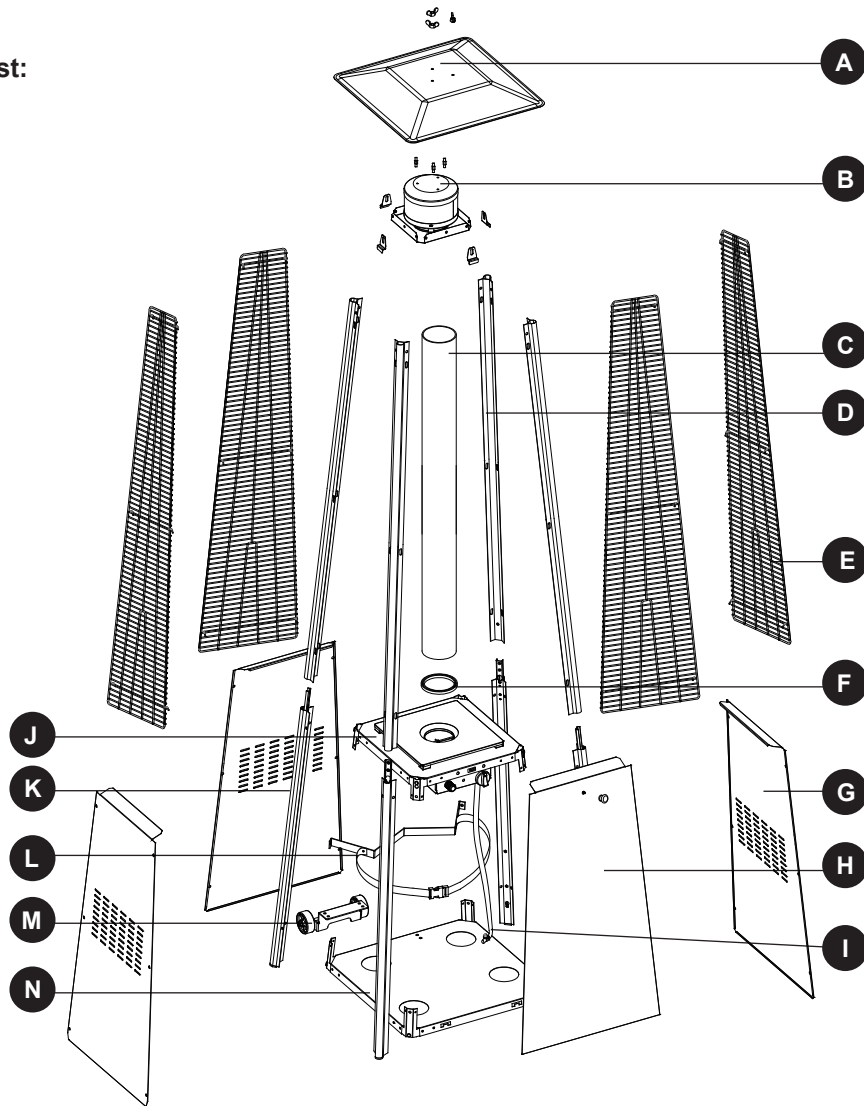
- The hose and regulator assembly must conform to local standard codes.
- Regulator outlet pressure should meet the corresponding appliance category in B. Specification.
- The appliance requires approved hose in 0.6m length.

ASSEMBLY PARTS

Tools needed:

- Philips screwdriver w/ medium blade
- Spray bottle of soap solution for leakage test

Parts List:

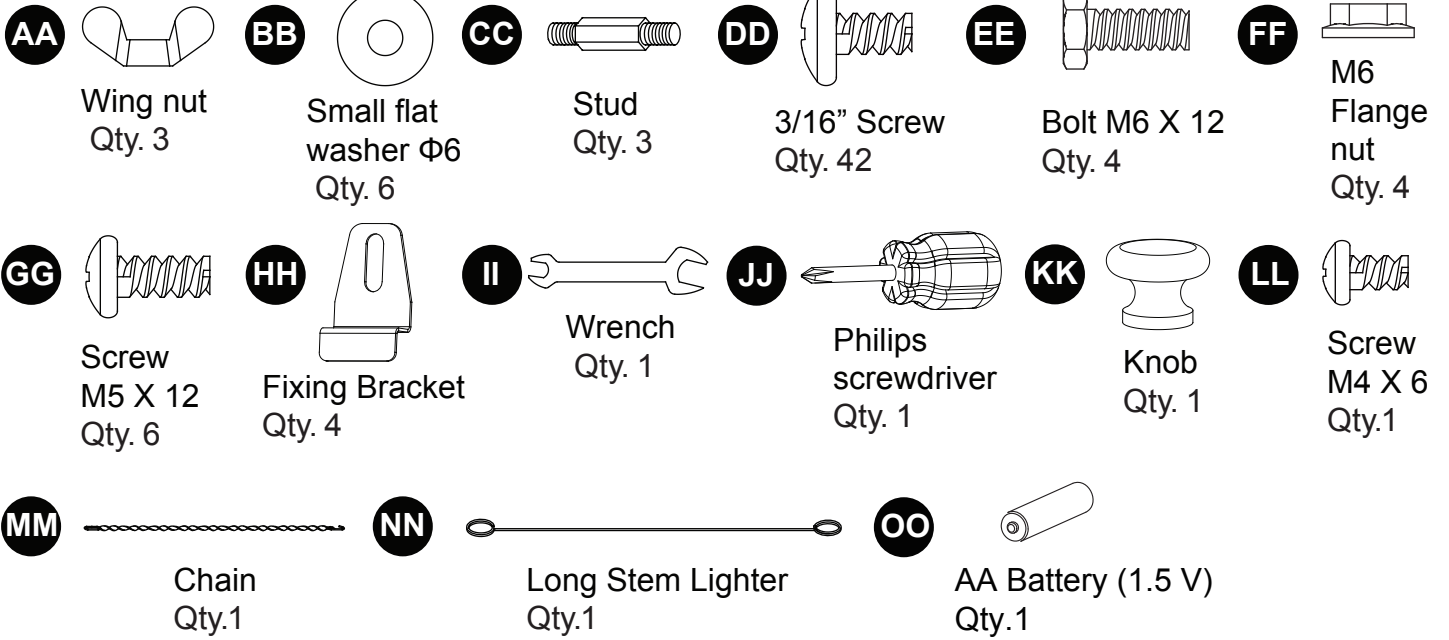


PART	DESCRIPTION	QUANTITY
A	Reflector	1
B	Flame Screen	1
C	Glass Tube	1
D	Upper Support	4
E	Protective Guard	4
F	Black Silicone Ring	1
G	Side Panel	3
H	Front Panel	1
I	DOES NOT INCLUDE	1
J	Control Box Assy	1
K	Lower Support	4

PART	DESCRIPTION	QUANTITY
L	Block Belt	1
M	DOES NOT INCLUDE	1
N	Bottom Plate	1

ASSEMBLY PARTS

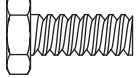
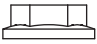
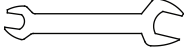
HARDWARE CONTENTS (shown actual size)

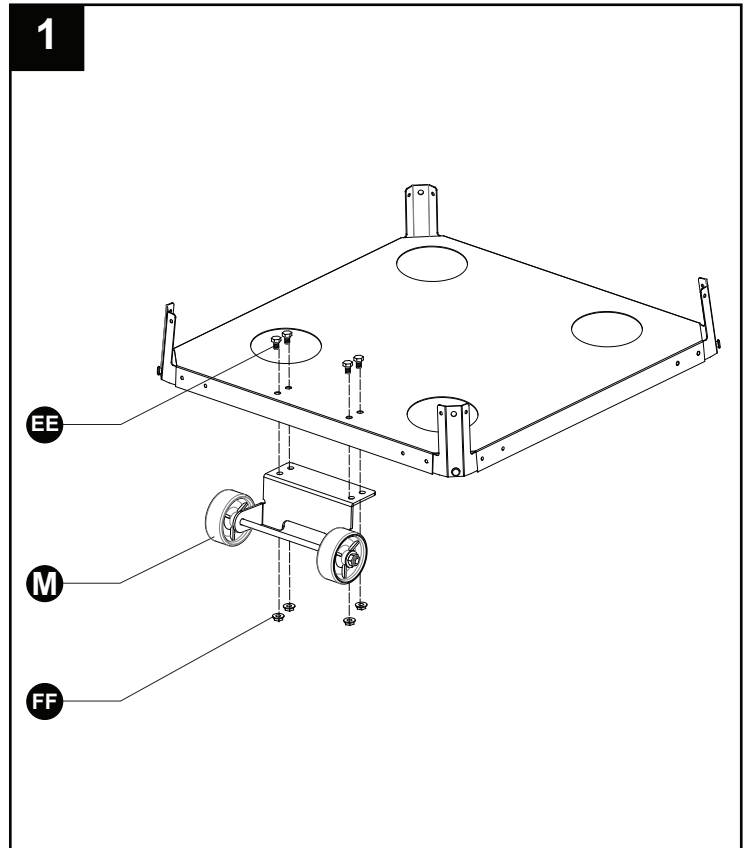


ASSEMBLY PROCEDURES

1. Assemble the wheel assembly to the bottom plate. Fix the wheel assembly to the bottom plate using 4pcs bolt M6X12 and 4pcs flange nut M6.

Hardware Used

EE	Bolt M6 X 12		x 4
FF	M6 Flange nut		x 4
II	Wrench		x 1

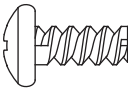
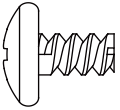
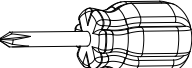


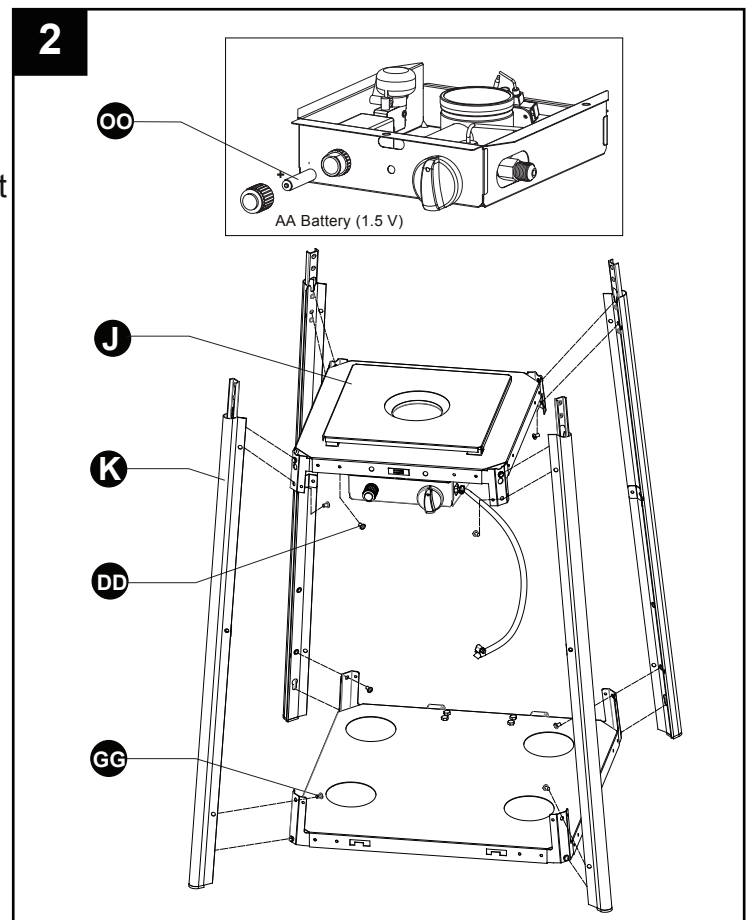
2-1. Unscrew the switch button, load small battery, tighten the switch button.

2-2. Insert the pins of the base to the holes of lower support, press to secure the pins. Using 4pcs screw M5X12 to secure the lower support and base.

Insert the pins of the control box assy to the holes of upper support, press to secure the pins. Using 4pcs screw 3/16" screw to secure the upper support and control box assy.

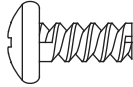
Hardware Used

GG	Screw M5 X 12		x 4
DD	3/16" Screw		x 4
JJ	Philips screwdriver		x 1

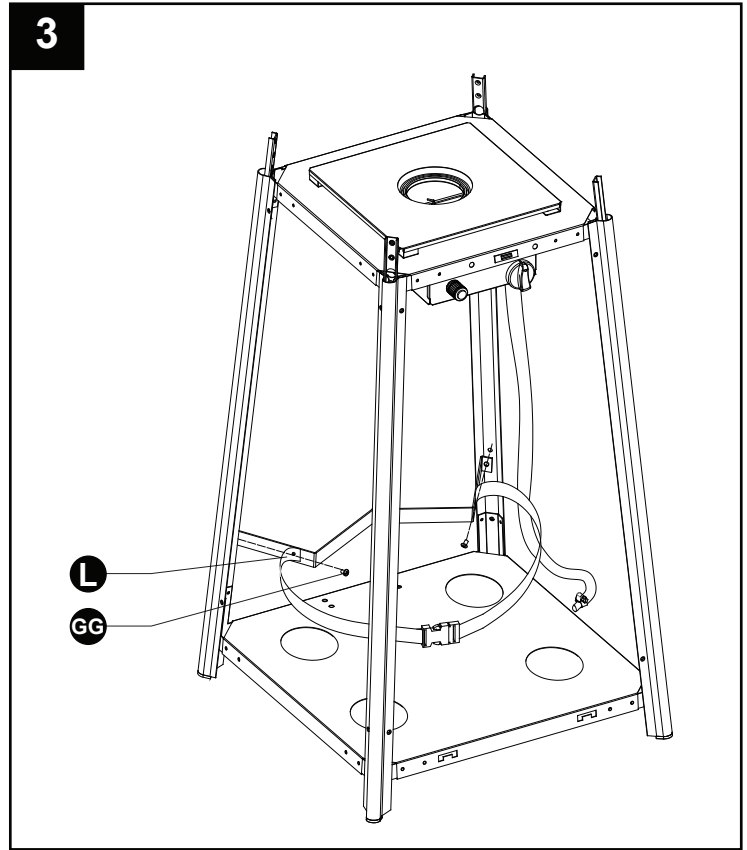


3. Assemble block belt.
 Fix the block belt to the 2pcs of lower support behind the front door, using 2pcs screw M5X12.

Hardware Used

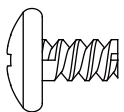
GG Screw M5 X 12  x 2

JJ Philips screwdriver  x 1

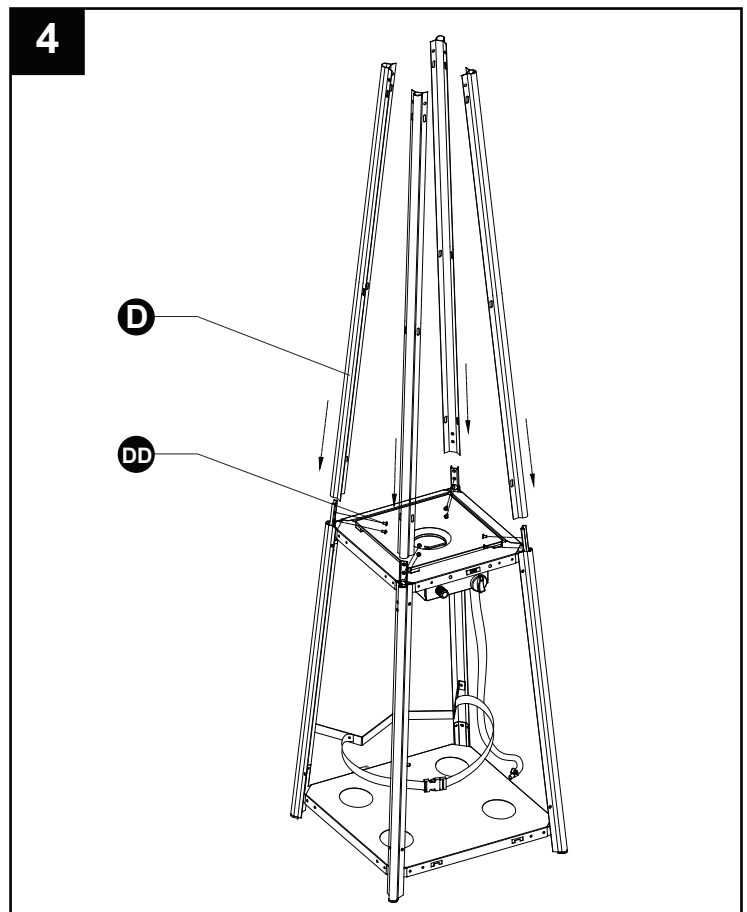


4. Assemble the middle support.
 Insert the 4pcs upper support to the lower support. Secure them with 8pcs screw 3/16”.

Hardware Used

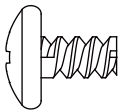
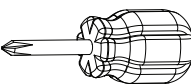
DD 3/16” Screw  x 8

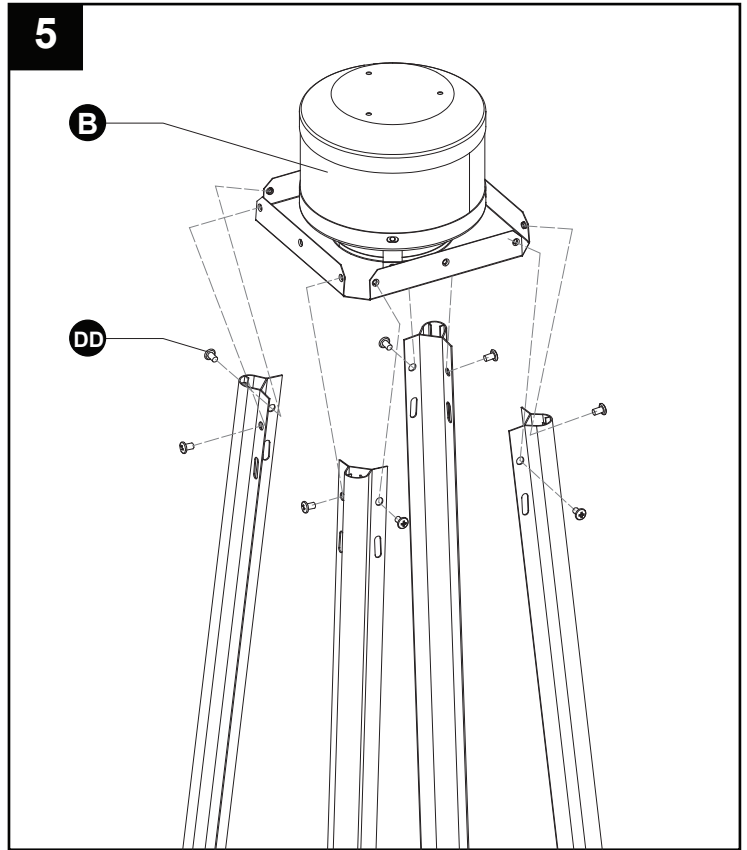
JJ Philips screwdriver  x 1



5. Assemble the flame screen to the upper support.
Secure the flame screen to the upper support using 8pcs screw 3/16”.

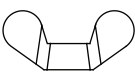
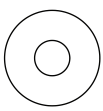
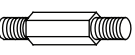
Hardware Used

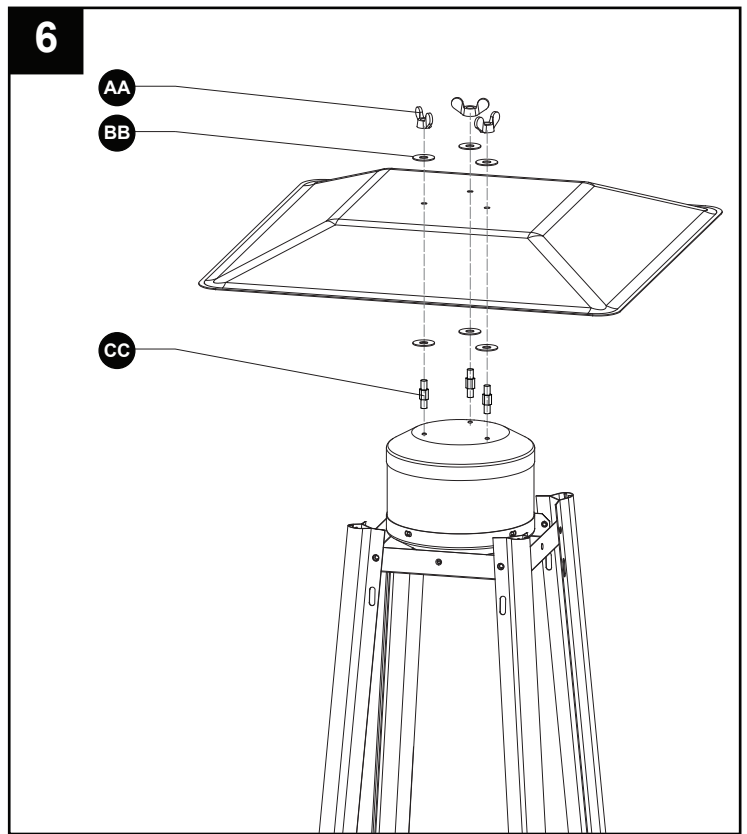
- DD** 3/16” Screw  x 8
- JJ** Philips screwdriver  x 1



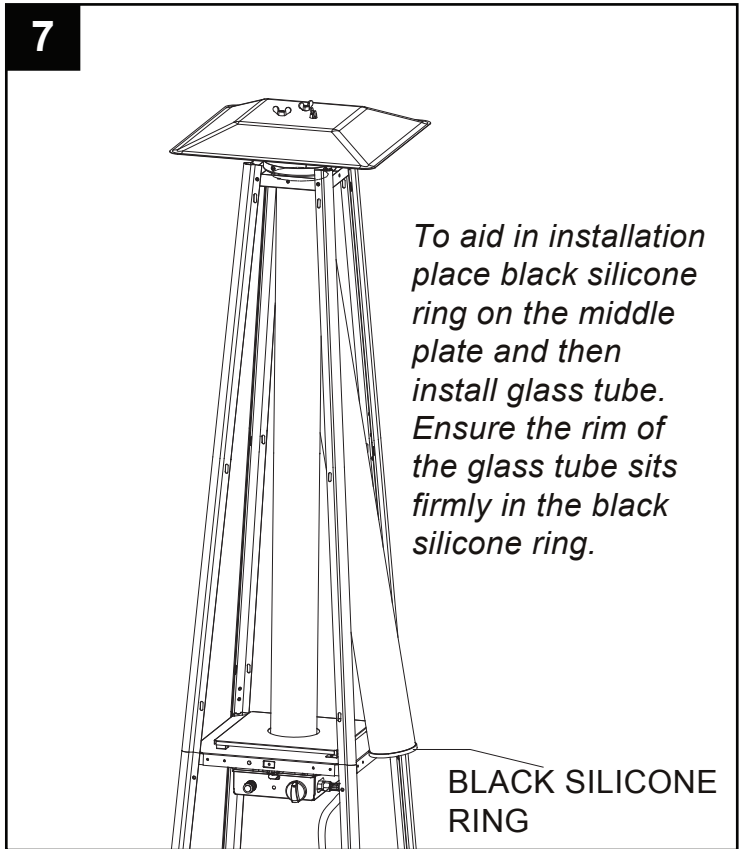
6. Assemble the reflector onto the flame screen.
Screw the 3pcs stud on the flame screen, put 3pcs washer $\Phi 6$ onto the top of stud, then put the reflector onto the stud, secure them with 3pcs washer $\Phi 6$ and 3pcs wing nut.

Hardware Used

- AA** Wing nut  x 3
- BB** Washer $\Phi 6$  x 6
- CC** Stud  x 3



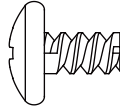
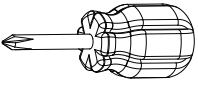
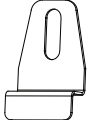
7. Carefully install the glass tube by lifting up and inserting through the center hole in the upper plate. Ensure the black silicone ring is attached to the lower edge of the glass tube as illustrated. Slide the glass tube through the hole of the lower plate cover and onto the middle plate. Check and ensure that the glass tube is positioned properly and is completely covering the center hole of the middle plate.

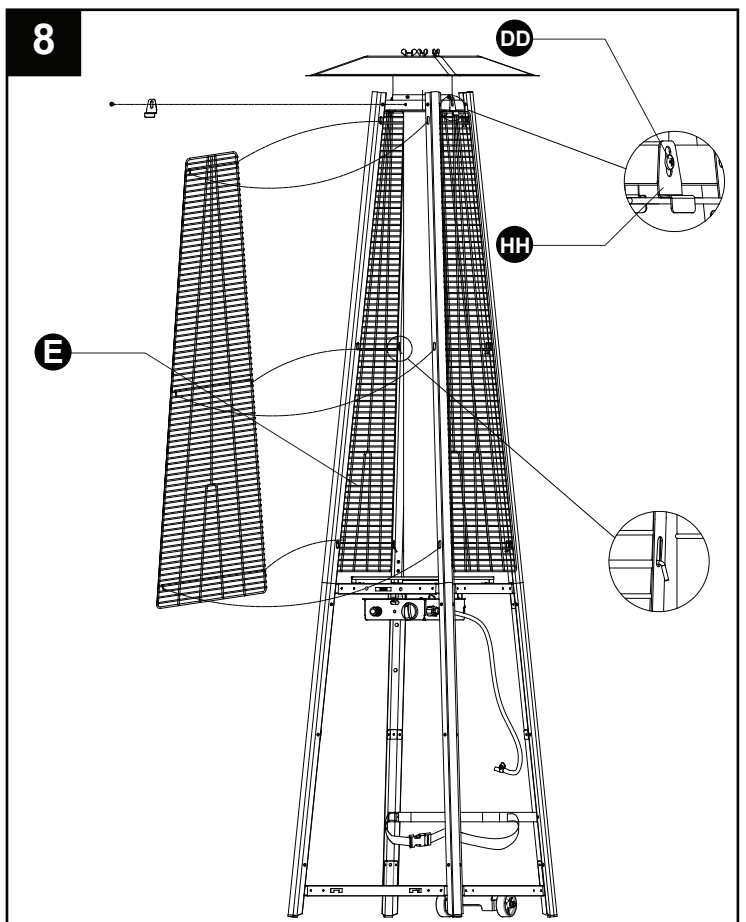


WARNING! The black silicone ring must be in place prior to operating the heater.

8. Assembly the protective guard. Hang the hooks of the protective guard onto the holes in supports. Secure the protective guards with fixing brackets with 4pcs 3/16" screws.

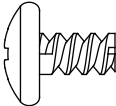
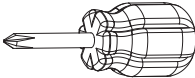
Hardware Used

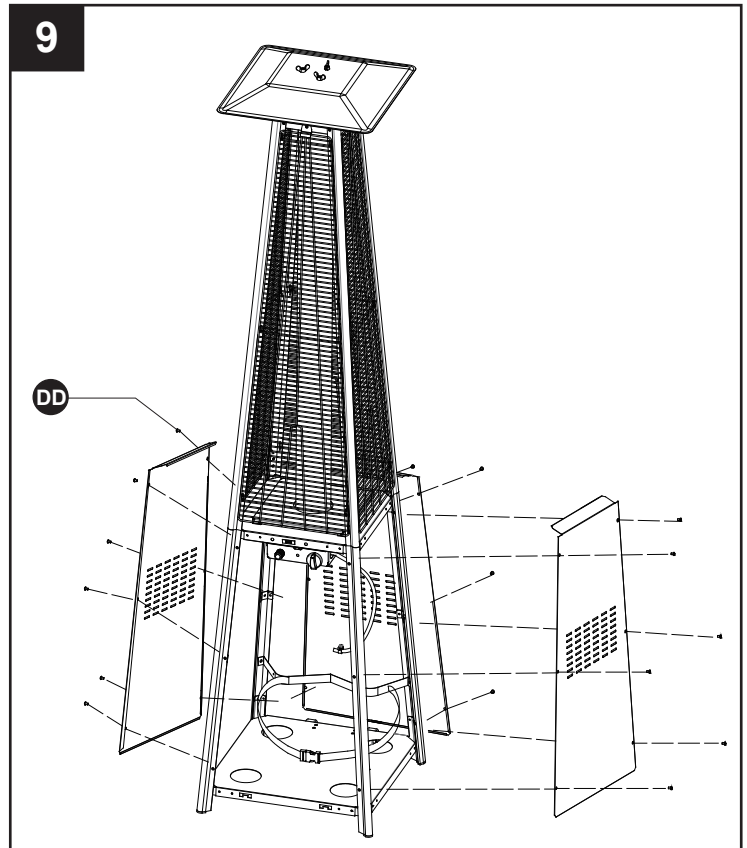
- | | | | |
|-----------|---------------------|---|-----|
| DD | 3/16" Screw |  | x 4 |
| JJ | Philips screwdriver |  | x 1 |
| HH | Fixing Bracket |  | x 4 |



9. Attach the three side panels to the heater using 18pcs screw 3/16".
 Note : Do not cover the front side where the control knob is.




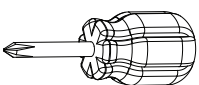
Hardware Used

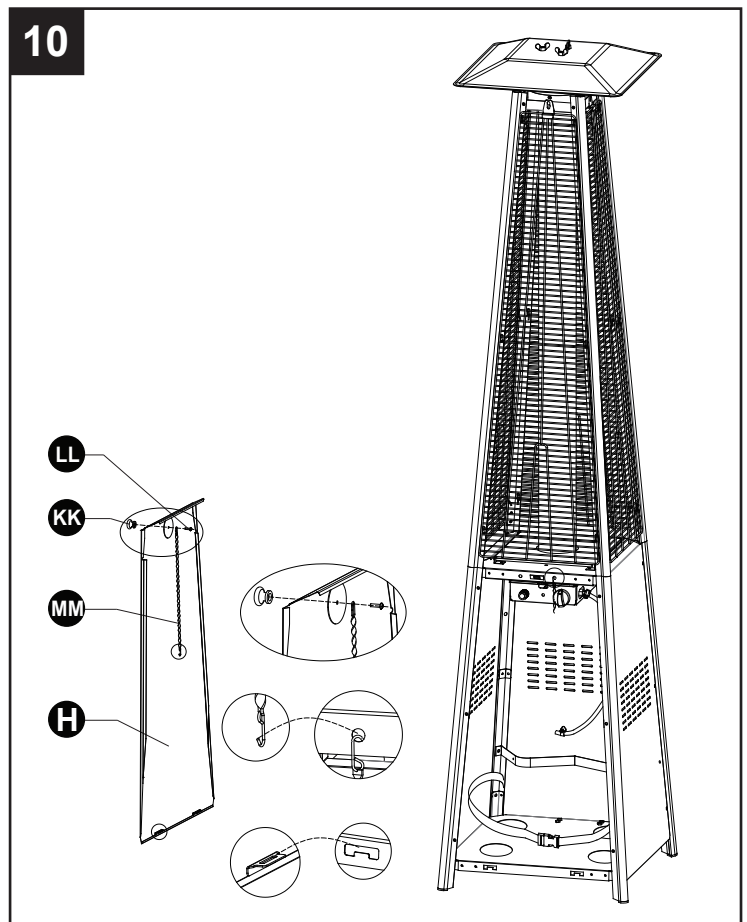
- DD** 3/16" Screw  x 18
- JJ** Philips screwdriver  x 1



10. Install the knob to M4X6 screw. Hang the chain to the hole on the control box assy and put the pothook of front panel to the holes of bottom plate.

Hardware Used

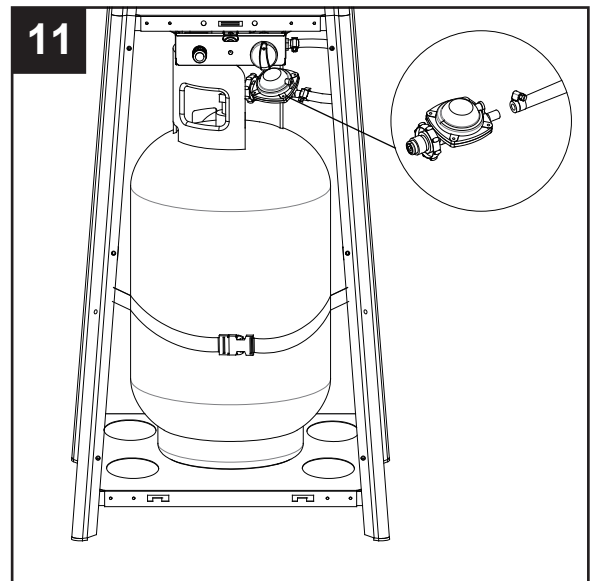
- KK** Knob  x 1
- LL** Screw M4 X 6  x 1
- MM** Chain  x 1
- JJ** Philips screwdriver  x 1



11. Connect the gas hose and regulator after that connect the regulator to the gas cylinder.

WARNING! Ensure the hose does not contact any high temperature surfaces, or it may melt and leak causing a fire.

After the cylinder is placed inside the heater, secure the cylinder with block belt tightly.



12. Leak Check.



WARNING! A leak test must be performed annually and each time a cylinder is hooked up or if a part of the gas system is replaced.



WARNING! Never use an open flame to check for gas leaks. Be certain no sparks or open flames are in the area while you check for leaks. Sparks or open flames will result in a fire or explosion, damage to property, serious bodily injury, or death.



Leak testing: This must be done before initial use, annually, and whenever any gas Components are replaced or serviced. Do not smoke while performing this test, and remove all sources of ignition. See Leak Testing Diagram for areas to check. Turn all burner controls to the off position. Turn gas supply valve on.

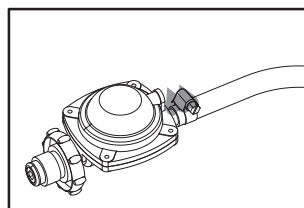


Brush a half-and-half solution of liquid soap and water onto all joints and connections of the regulator, hose, manifolds and valves.

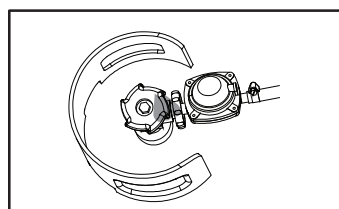


Bubbles will indicate a gas leak. Either tighten the loose joint or have the part replaced with one recommended by the Customer Care department and have the patio heater inspected by a certified gas installer.

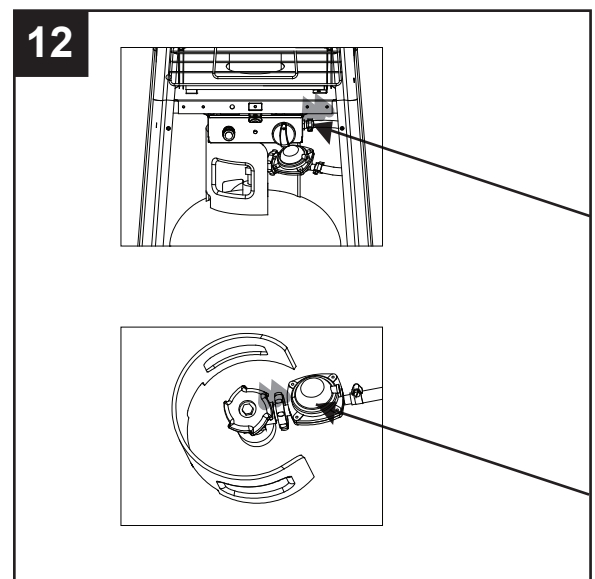
If the leak cannot be stopped, **immediately shut off the gas supply**, disconnect it, and have the patio heater inspected by a certified gas installer or dealer. Do not use the patio heater until the leak has been corrected.



Hose / Regulator connection



Regulator / Cylinder connection



PROBLEMS CHECK LIST

<u>PROBLEM</u>	<u>PROBABLE CAUSE</u>	<u>SOLUTION</u>
Pilot will not light	Gas valve may be OFF Tank fuel empty Opening blocked Air in supply system Loose connections	Turn the gas valve ON Refill LPG tank Clean or replace opening Purge air from lines Check all fittings
Pilot will not stay on	Debris around pilot Loose connections Thermocouple bad Gas leak in line Lack of fuel pressure	Clean dirty area Tighten connections Replace thermocouple Check connections Tank near empty. Refill LPG tank.
Burner will not light	Pressure is low Opening blocked Control not ON Thermocouple bad Pilot light assembly bent Not in correct location	Tank near empty. Refill LPG tank. Remove and clean Turn valve to ON Replace thermocouple Place pilot properly Position properly and retry

If the appliance is in case of any defaults or problems of assembly or use, please don't try to modify it by yourself, contact your supplier or distributor to solve it.



Estufa de patio efecto llama
Aquecedor de exterior



Estufa de patio efecto llama

01. Normas generales de seguridad

Por favor lea las siguientes normas de seguridad antes de poner en funcionamiento el calefactor de exterior.

PARA SU SEGURIDAD

Si huele a gas:

1. Cierre el suministro de gas al aparato.
2. Apague cualquier llama encendida.
3. Si el olor persiste, póngase inmediatamente en contacto con su distribuidor o servicio técnico.

PARA SU SEGURIDAD

1. No almacene ni use gasolina u otros vapores y líquidos inflamables cerca de este o de otro aparato semejante.
2. La bombona de gas, cuando no esté conectada para ser usada, no debe almacenarse cerca de este u otro aparato semejante.

ADVERTENCIA

- 1) Utilizar en el exterior o en lugares ampliamente ventilados.
- 2) Para un lugar ampliamente ventilado debe tener una apertura igual al 25% como mínimo de la superficie del lugar.

ADVERTENCIA

Las siguientes operaciones: instalación, colocación, alteración, asistencia o mantenimiento inadecuados pueden causar lesiones o daños materiales.

Lea con atención las instrucciones de instalación, funcionamiento y mantenimiento antes de instalar o revisar este aparato.

ADVERTENCIA

Lea las instrucciones antes de su instalación y uso.

- Este aparato debe ser instalado y la bombona de gas almacenada de acuerdo con la normativa vigente.
- No bloquee los orificios de ventilación de la carcasa de la bombona.
- No mueva el aparato mientras esté en funcionamiento.
- Cierre la válvula de la bombona de gas o el regulador antes de mover el aparato.
- Los tubos o las mangueras deben ser reemplazados en los intervalos de tiempo prescritos.
- Utilice sólo el tipo de gas y el tipo de bombona especificados por el fabricante.
- La bombona de gas utilizada con el calefactor de exterior debe cumplir con los siguientes requisitos:
 - ✓ Dimensiones: Ø30,5 x H57,1 cm.
 - ✓ Capacidad mínima: 23 kg.
- En caso de viento fuerte prestar especial atención a la inclinación del aparato.

ATENCIÓN

- No utilice el calefactor en interiores, ya que podría causar lesiones personales o daños a la propiedad.
- Esta estufa de exterior no está diseñada para ser instalada en vehículos de recreo y / o barcos.
- La instalación y reparación deberán confiarse únicamente a personal cualificado.
- No intente alterar la unidad de ningún modo.
- Nunca sustituya o cambie el regulador por otro que no sea el recomendado por el fabricante.
- No almacene o use gasolina u otros vapores o líquidos inflamables en la unidad de calefacción.
- Todo el sistema de gas, la manguera, el regulador, la luz piloto o el quemador deben ser inspeccionados antes de usarse para detectar eventuales fugas o daños, al menos una vez al año, por el personal del servicio cualificado.
- Todas las pruebas de fugas se deben realizar con una solución detergente. Nunca use una llama para comprobar si hay fugas.
- No utilice el calefactor hasta que no se hayan probado todas las conexiones para detectar eventuales fugas.
- Cierre la válvula de gas inmediatamente si detecta olor a gas. Cierre la válvula de la bombona en caso de una fuga del tubo.
- Conexión del regulador: cierre la conexión y haga otra prueba buscando fugas. Si siguen formándose burbujas, debe devolverse al punto de venta del tubo. En caso de fugas en la válvula reguladora / bombona: desconecte, vuelva a conectar y compruebe si continúan las fugas. - Si sigue observando burbujas después de varios intentos, la válvula de la bombona es defectuosa y debe devolverse al punto de venta de la bombona.
- Cierre la válvula de gas inmediatamente si detecta olor a gas. Cierre la válvula de la bombona en el caso de fugas en la manguera.
- No mueva el calefactor mientras esté en uso.
- No desplace el calefactor después de haberlo apagado hasta que no haya bajado la temperatura.
- Mantenga libre la abertura de la bombona para que se ventile.
- No pinte la pantalla radiante, el panel de control o el reflector convexo superior.
- El panel de control, el quemador y la salida de circulación de aire del calefactor deben mantenerse limpios.
- Si es necesario puede realizarse una limpieza frecuente.
- La bombona del gas debe estar cerrada cuando el calefactor no esté en uso.
- Compruebe inmediatamente el calefactor en cualquiera de los siguientes casos:
 - ✓ El calefactor no alcanza la temperatura.
 - ✓ El quemador emite un chasquido durante su uso (un ruido suave es normal si el quemador está apagado).
 - ✓ Hay olor a gas junto a un intenso color amarillo en la punta de la llama.
- El regulador del gas / la manguera deben colocarse lejos de los lugares de paso de las personas, que podrían tropezar con ellos o en lugares donde la manguera ocasione daños accidentales.
- Toda pantalla u otro dispositivo de protección retirado por la supervisión del calefactor deben volver a colocarse antes de poner en funcionamiento el calefactor.
- Los adultos y los niños deben mantenerse alejados de las superficies a altas temperaturas para evitar quemaduras o la ignición de la ropa.
- Los niños deben ser supervisados cuidadosamente cuando se encuentren alrededor del calefactor.
- La ropa u otros materiales inflamables no deben ser colgados o dejados sobre o cerca del calefactor.
- Cambie la bombona de gas en un lugar bien ventilado, lejos de cualquier fuente de calor (velas, cigarrillos, otros aparatos que produzcan llamas,...).

- Verifique que el sello regulador esté bien atornillado y en condiciones de desempeñar plenamente su función como se muestra en la imagen de la derecha.
- No bloquee los orificios de ventilación de la carcasa de la bombona.
- Interrumpa la salida de gas de la válvula de la bombona de gas o el regulador después de su uso.
- En caso de fugas de gas, no debe utilizarse el dispositivo o si está encendido, debe interrumpirse el suministro de gas y la unidad debe inspeccionarse y repararse antes de volver a ser utilizada.
- Compruebe la manguera al menos una vez al mes, cada vez que cambie la bombona o cada vez antes de una utilización fallida después de mucho tiempo.
- Si muestra signos de rotura, grietas u otros signos de deterioro deben reemplazarse con una nueva manguera de la misma longitud y de calidad equivalente.
- El uso de este dispositivo en lugares cerrados puede ser peligroso y está prohibido.
- Lea las instrucciones antes de usar este aparato. El aparato debe ser instalado según las especificaciones y las normas locales.

02. Colocación e instalación del calefactor

El calefactor sólo es adecuado para su uso en exteriores.

Asegúrese siempre de que se proporciona la ventilación necesaria de aire fresco.

Mantenga siempre alejado de materiales combustibles no protegidos, un mínimo de 100 cm de alto y 100 cm a los lados.

El calefactor debe colocarse sobre una superficie sólida.

Nunca utilice el calefactor en un entorno explosivo, como en zonas donde se almacene gasolina u otros líquidos o vapores inflamables.

Para proteger el calefactor del fuerte viento, anclar la base de forma segura al suelo con tornillos.

03. Requisitos del gas

Utilice sólo propano, butano y otras mezclas de gases.

El regulador de presión y el ensamblado de la manguera indicados deben ser conformes a las normas locales. La instalación debe cumplir con las normas locales, o en ausencia de éstas, a las normas para la conservación y gestión de los gases líquidos.

Puede ser arriesgado tener una bombona abollada, oxidada o dañada y debe ser controlada por el proveedor. Nunca conecte una bombona dañada al calefactor.

04. Pruebas sobre fugas

Las conexiones de gas al calefactor se analizan en fábrica para determinar si hay fugas antes de su envío. Debe hacerse un control completo de la conexión de gas donde se instale para detectar manipulaciones ocurridas durante el traslado o que se haya realizado sobre el calefactor una presión excesiva.

Preparar una solución con una parte de detergente líquido y una parte de agua. La solución detergente puede aplicarse con un dispensador en spray, un cepillo o un paño. En caso de fugas, se formarán burbujas de jabón.

El calefactor debe inspeccionarse con la bombona llena.

Asegúrese de que la válvula de seguridad está en la posición OFF.

Iniciar el suministro de gas.

En caso de fuga, detenga el suministro de gas. Apriete cada accesorio que produzca pérdidas, vuelva a activar el suministro de gas y verifique de nuevo.

Nunca realice esta prueba mientras se fuma.

05. Funcionamiento y conservación

ENCENDER EL CALEFACTOR

1. Abra completamente la válvula presente en la bombona de gas.
2. Presione y gire la manilla de control variable a la posición PILOT (a 90 ° en sentido antihorario).
3. Presione la manilla de control variable y manténganla durante 30 segundos. Mientras mantiene la manilla de control hacia abajo, pulse el botón de encendido varias veces hasta que se encienda la llama piloto. Suelte la manilla de control variable una vez se haya encendido la llama piloto.

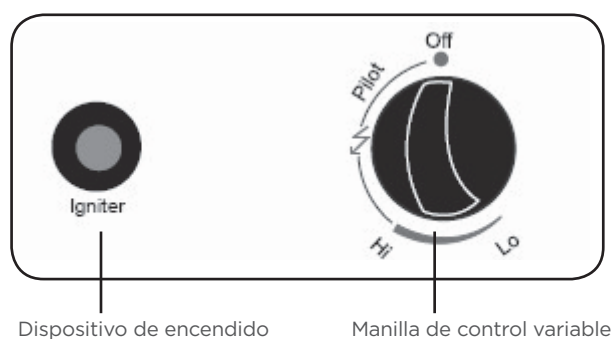
Nota:

- Si se acaba de conectar una nueva bombona, por favor deje entrar por lo menos durante un minuto el aire en la manguera de gas para dejarla salir a través del agujero del piloto.
 - Al encender la llama del piloto asegúrese de que el botón de control variable se presiona continuamente al pulsar el botón de encendido. La manilla de control variable puede soltarse después de que se encienda la llama del piloto.
 - Si la llama del piloto no se enciende o sale, repita el paso nº 3.
4. Tras el encendido de la llama del piloto, gire la manilla de control variable en la posición máxima y déjela en esta posición durante 5 minutos o más antes de girar la manilla en la posición de la temperatura deseada.

Advertencia: compruebe que no se han roto los cristales antes de ponerlo en funcionamiento

APAGAR EL CALEFACTOR

1. Gire la manilla de control variable en posición PILOT.
2. Presione y gire la manilla de control variable en posición OFF.
3. Cierre completamente la válvula que hay sobre la bombona del gas.



Off: la estufa se apaga.

Hi: posición de temperatura máxima.

Lo: posición de temperatura mínima.

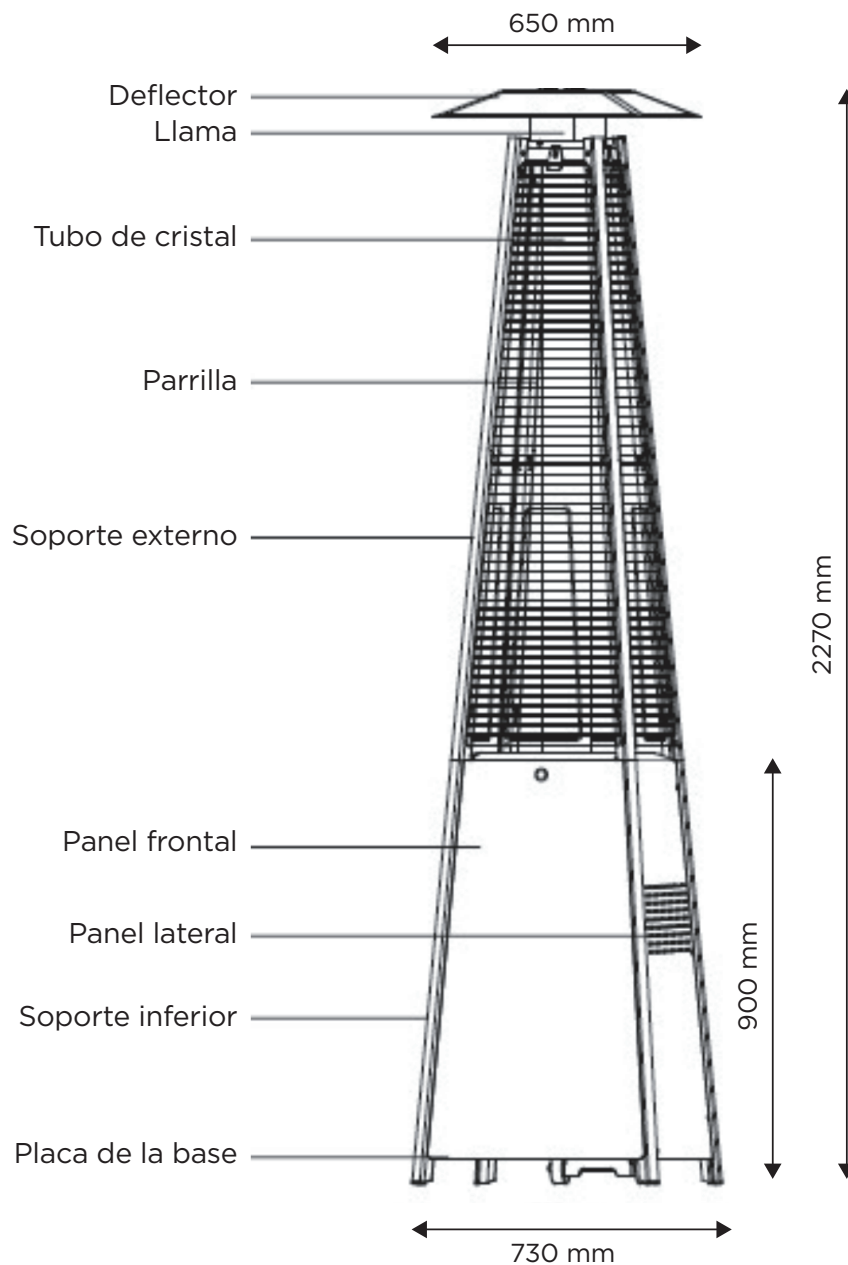
CONSERVACIÓN

1. Cierre siempre la válvula del gas de la bombona después de su uso o en caso de inconvenientes.
2. Retire el regulador de presión y la manguera.
3. Compruebe que la válvula del gas esté bien apretada y en buenas condiciones. En caso de daños sospechosos, hágala sustituir por el técnico del gas.
4. Nunca almacene la bombona de gas líquido en un sótano, o en lugares sin ventilación adecuada.

06. Limpieza y cuidado

- Limpie las superficies de polvo con un paño suave y húmedo. No limpie el calefactor con detergentes inflamables o corrosivos.
- Retire los residuos del quemador para mantenerlo limpio y seguro para su uso.
- Cubra el quemador con la tapa de protección opcional cuando el calefactor no esté en uso.

07. Componentes y especificaciones



A. CONSTRUCCIÓN Y CARACTERÍSTICAS

- Estufa de terraza / jardín transportable con carcasa para bombona.
- Carcasa de acero con recubrimiento de polvo (BFH-B) o de acero inoxidable (BFH-A).
- Salida de calor del reflector.

B. ESPECIFICACIONES

- Utilizar sólo propano, butano y otras mezclas de gases.
- Potencia Máx.: 13000 watts.
- Potencia Mín.: 5000 watts.
- Consumo:

CATEGORÍA DEL APARATO	I3+(28-30/37)		I3B/P(30)	I3B/P(50)	I3B/P(70)
TIPO DE GAS	Butano	Propano	Butano, propano y sus mezclas	Butano, propano y sus mezclas	Butano, propano y sus mezclas
PRESIÓN DEL GAS	28-30 mbar	37 mbar	30 mbar	50 mbar	37 mbar
PRESIÓN DE SALIDA DEL REGULADOR	30 mbar	37 mbar	30 mbar	50 mbar	37 mbar

- Utilización de un regulador adecuado para la presión de salida como se muestra en la tabla anterior.

C. TABLA DEL INYECTOR

CATEGORÍA DEL APARATO	I3+(28-30/37)		I3B/P(30)	I3B/P(50)	I3B/P(70)
TIPO DE GAS	Butano	Propano	Butano, propano y sus mezclas	Butano, propano y sus mezclas	Butano, propano y sus mezclas
PRESIÓN DEL GAS	28-30 mbar	37 mbar	30 mbar	50 mbar	37 mbar
PRESSÃO DE SAÍDA DO REGULADOR	30 mbar	37 mbar	30 mbar	50 mbar	37 mbar
CALOR TOTAL INPUT (Hs): (Qn)	13Kw (945g/h)				
DIMENSIÓN DEL INYECTOR	1,88 mm para el quemador principal 0,18 mm para el quemador del piloto		1,55 mm para el quemador principal 0,18 mm para el quemador del piloto	1,65 mm para el quemador principal 0,18 mm para el quemador	
La inscripción 1,88, por ejemplo, sobre el inyector indica que la dimensión del inyector es igual a 1,88 mm					

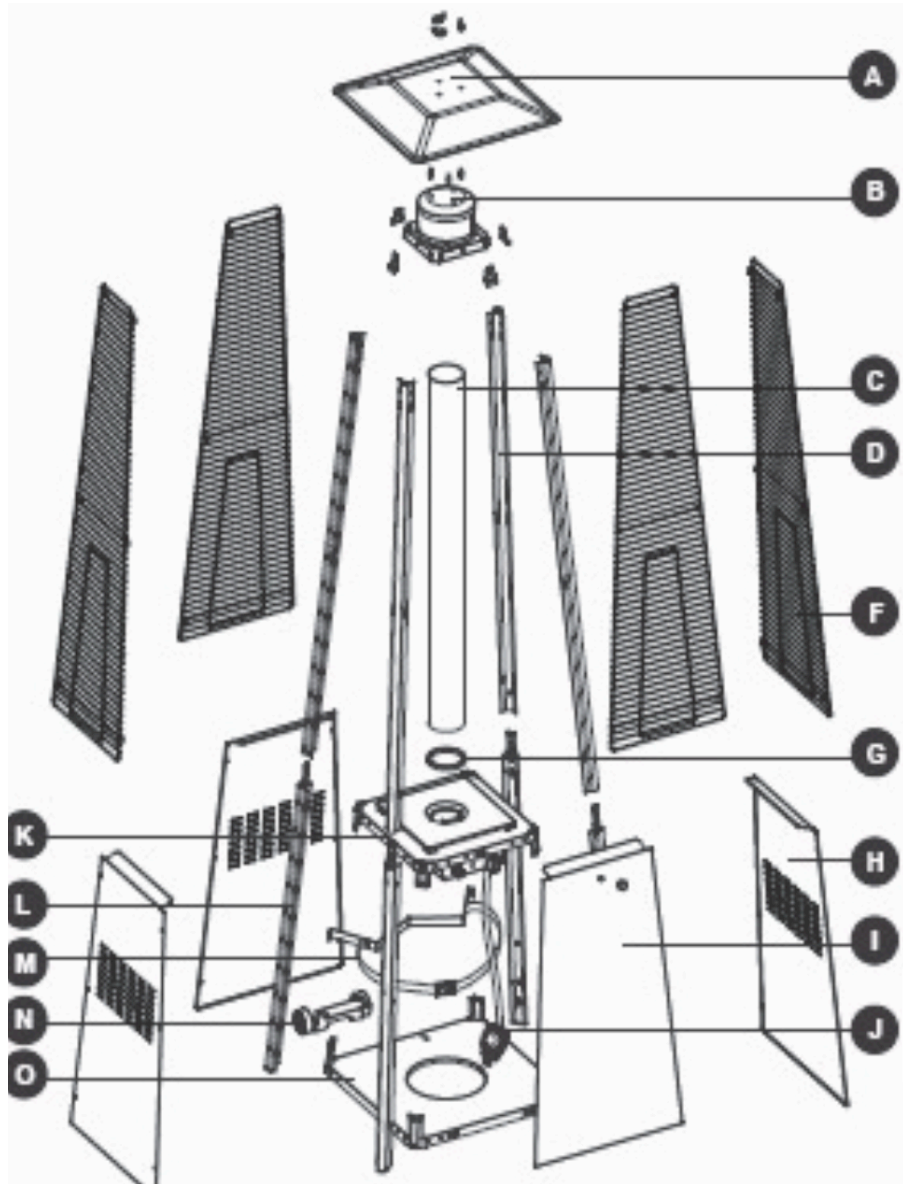
- El regulador y el ensamblaje de la manguera indicados deben cumplir con las normas locales.
- La presión de salida del regulador de presión debe ajustarse a la categoría del dispositivo correspondiente al diagrama B. Especificaciones.
- El aparato requiere una longitud de manguera estándar de 1,4 m.

08. Montaje de los componentes

Herramientas necesarias:

- Destornillador de estrella de punta media.
- Dispensador spray con la solución detergente para la prueba de eventuales fugas.

RELACIÓN DE LOS COMPONENTES

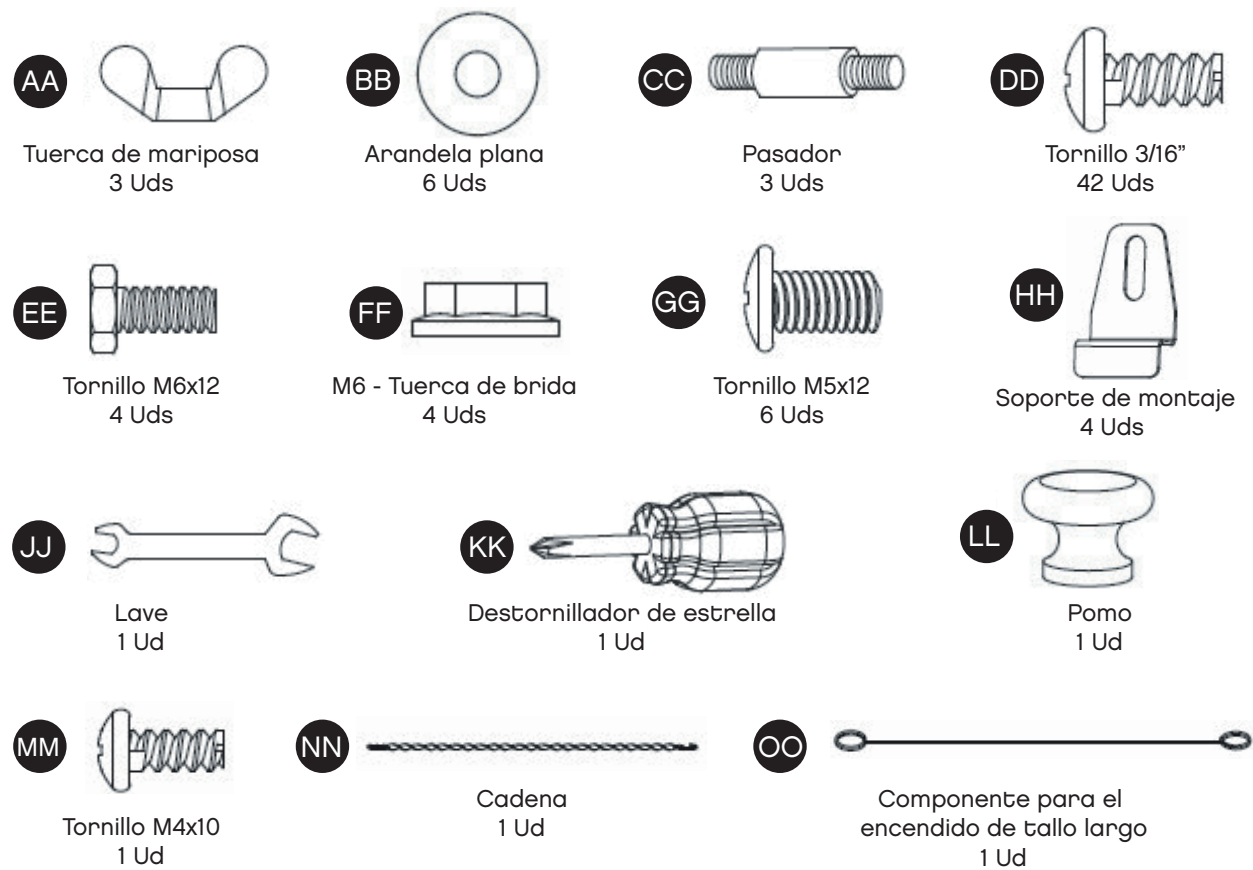


A	Deflector	1
B	Pantalla de la llama	1
C	Tubo de vidrio superior	1
D	Soporte superior	4
F	Panel protector	4
G	Anillo de silicona negra	1
H	Panel lateral	3

I	Panel frontal	1
J	NO INCLUYE	1
K	Grupo de la caja de control	1
L	Soporte inferior	4
M	Cinturón de bloqueo	1
N	NO INCLUYE	1
O	Placa de la base	1

ENSAMBLADO DE LOS COMPONENTES

Tornillos y herramientas:

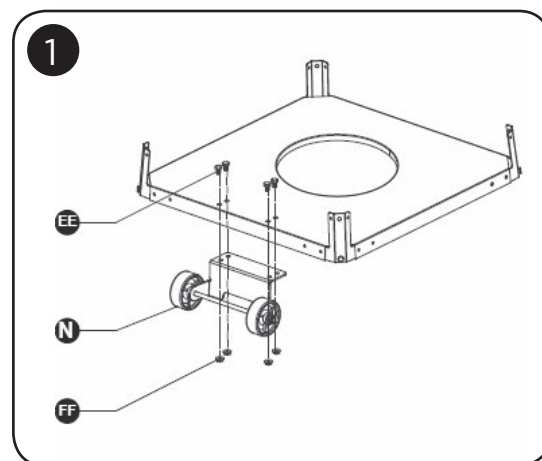


09. Procedimiento de ensamblaje

1. Ensamble las ruedas a la placa base.

Fije las ruedas a la placa base mediante 4 tornillos M6x12 y 4 tuercas de brida M6.

Piezas usadas:

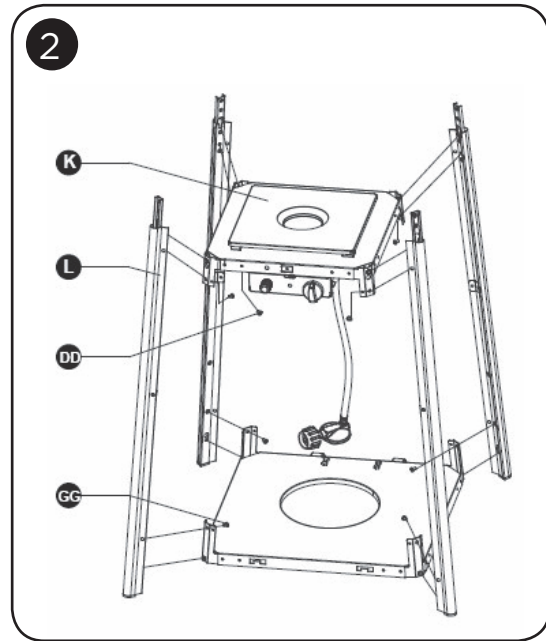


2. Inserte los pasadores de la base en los agujeros de soporte inferior y presione para asegurar los pasadores.

Utilice 4 tornillos M5x12 para fijar el soporte inferior y la base. Inserte los pasadores del grupo de la caja de control de cuadro en los agujeros de soporte superior, presione para fijar los pasadores. Utilice 4 tornillos de 3/16 "para asegurar el soporte superior y el grupo de la caja de control.

Piezas usadas:


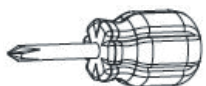
- GG** Tornillo M5x12  x4
- DD** Tornillo 3/16"  x4
- KK** Destornillador de estrella  x1

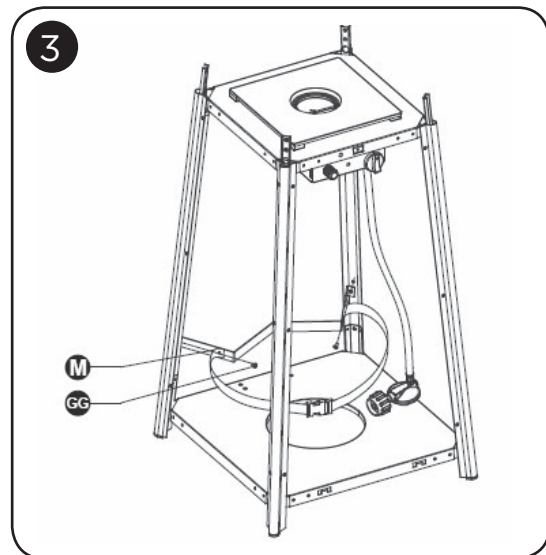


3. Monte la correa de bloqueo.

Fije la correa de bloqueo a las dos abrazaderas del soporte inferior detrás del panel frontal, utilizando dos tornillos M5x12.

Piezas usadas:



- GG** Tornillo M5x12  x2
- KK** Destornillador de estrella  x1

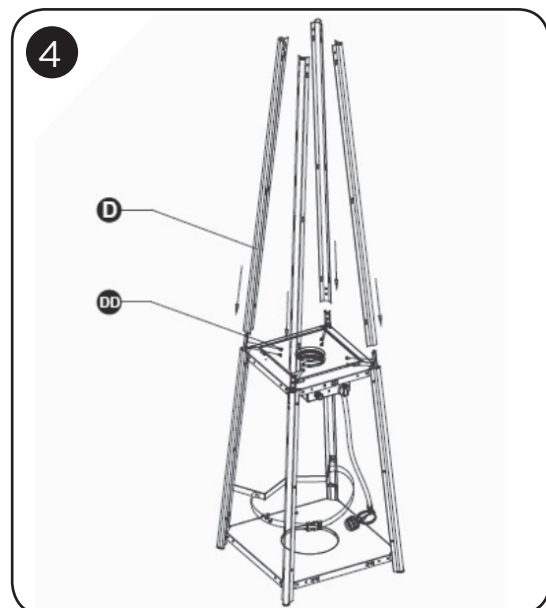


4. Monte el soporte central.

Inserte los 4 ejes del soporte superior en el inferior. Fije con 8 tornillos 3/16".

Piezas usadas:

- DD** Tornillo 3/16"  x8
- KK** Destornillador de estrella  x1



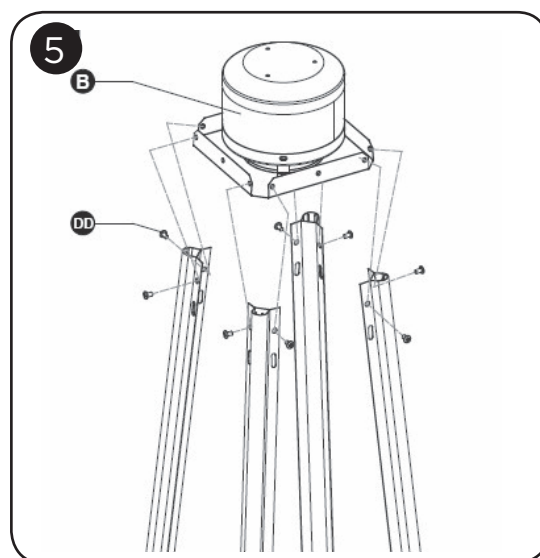
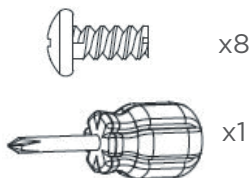
5. Monte la pantalla para la llama en el soporte superior.

Fije la pantalla para la llama al soporte superior con 8 tornillos 3/16”.

Piezas usadas:

DD Tornillo 3/16” x8

KK Destornillador de estrella x1



6. Monte el reflector sobre la pantalla para la llama.

Atornille los 3 pasadores sobre la pantalla para la llama.

Coloque las 3 arandelas Ø6 en la parte superior del pasador; luego, coloque el reflector sobre el pasador.

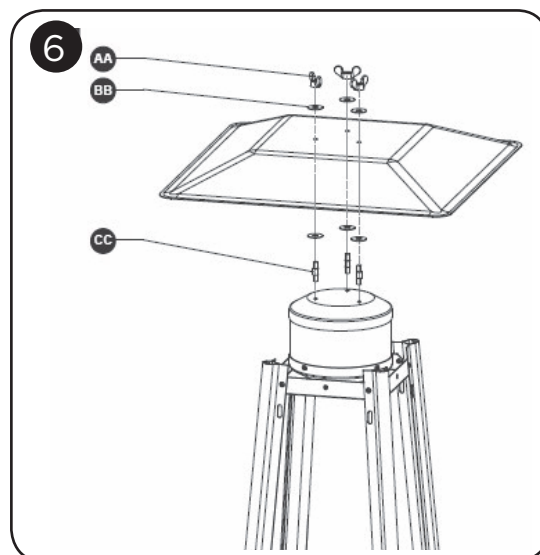
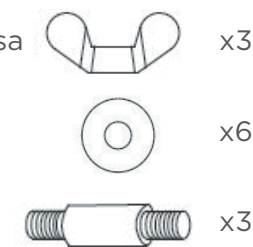
Fijarlos con 3 Ø6 arandelas y 3 tuercas de mariposa.

Piezas usadas:

AA Tuerca de mariposa x3

BB Arandela Ø6 x6

CC Perno x3



7. Instale cuidadosamente el tubo de vidrio levantándolo e insertándolo en el orificio central de la placa superior.

Asegúrese de que el anillo de silicona negro esté unido a la parte inferior del tubo de vidrio como se ilustra.

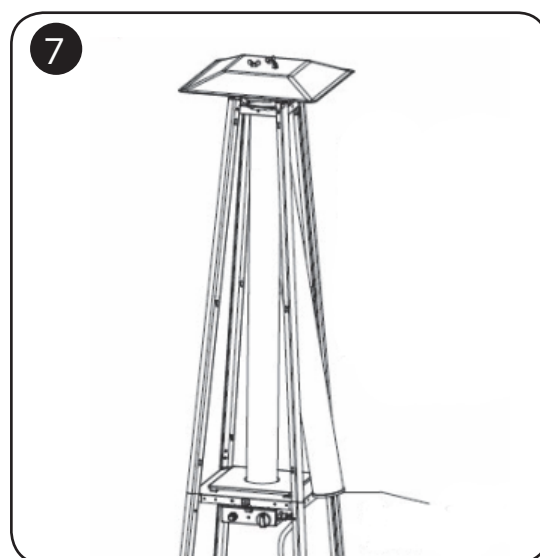
Deslice el tubo de vidrio a través del agujero de la cubierta de la placa inferior y sobre la placa central.

Compruebe y asegúrese de que el tubo de vidrio se coloca correctamente y cubre por completo el agujero de la placa central.

¡ADVERTENCIA! El anillo de silicona negro debe colocarse antes de poner en funcionamiento el calefactor.

Para facilitar la instalación, coloque el anillo de silicona negra sobre la placa central y luego instale el tubo de vidrio.

Asegúrese de que el borde del tubo de vidrio coincide



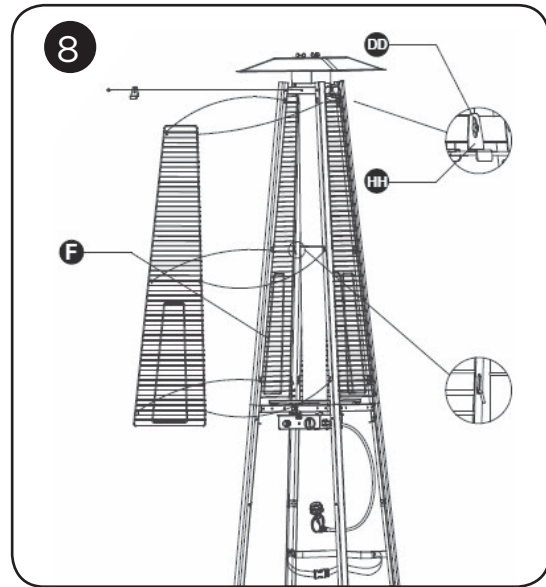
8. Monte el panel de protección.

Ponga los ganchos del panel de protección en los orificios de los soportes.

Fije los paneles de protección con los soportes de montaje con 4 tornillos de 3/16”.

Piezas usadas:

- DD Tornillo 3/16” x8
- KK Destornillador de estrella x1
- HH Soporte de montaje x4



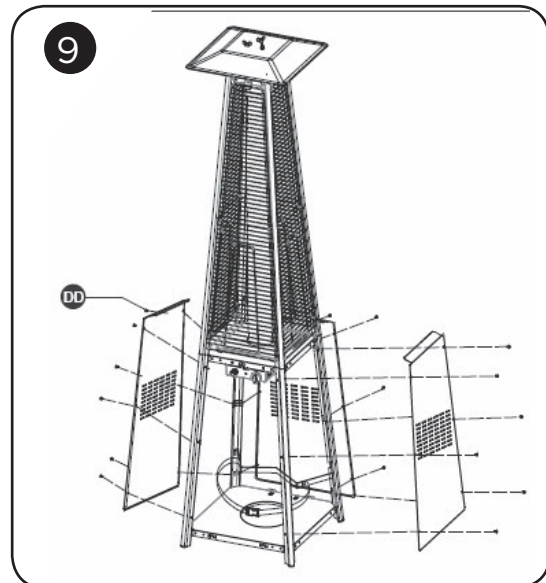
9. Montar los tres paneles laterales del calefactor.

Utilizar 18 tornillos 3/16”.

Nota: No cubra el panel frontal donde se encuentra la manilla de control.

Piezas usadas:

- DD Tornillo 3/16”
- KK Destornillador de estrella x1

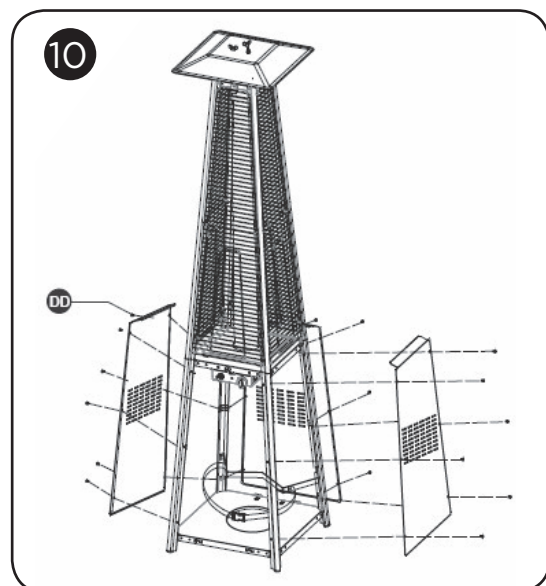


10. Instale la manilla con un tornillo M4x10.

Cuelgue la cadena en el agujero del grupo de la caja de control y coloque el gancho del panel frontal en los orificios de la placa de la base.

Piezas usadas:

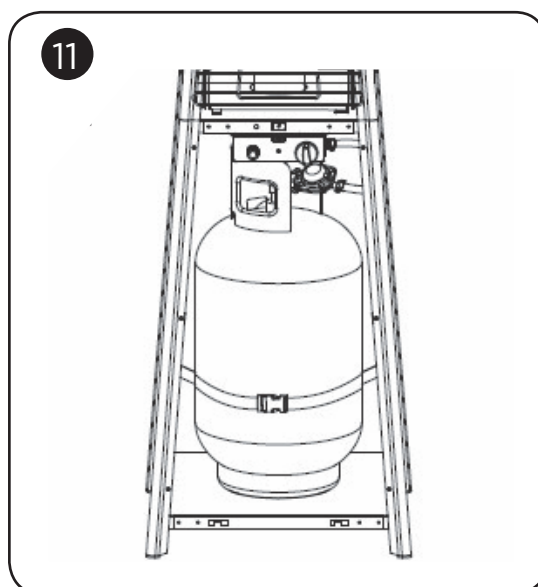
- LL Pomo x1
- MM Tornillo M4x10 x1
- NN Cadena x1
- KK Destornillador de estrella x1



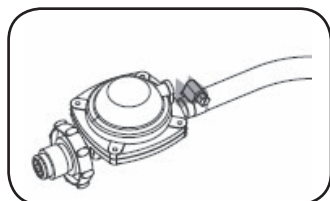
11. Conexión de la manguera sólo para gas propano.

¡ADVERTENCIA! Asegúrese de que la manguera no toque ninguna superficie caliente ya que podría fundirse y la fuga podría provocar un incendio.

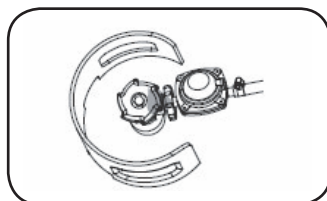
Después de haber colocado la bombona en el calefactor, fíjela firmemente con el cinturón de sujeción.



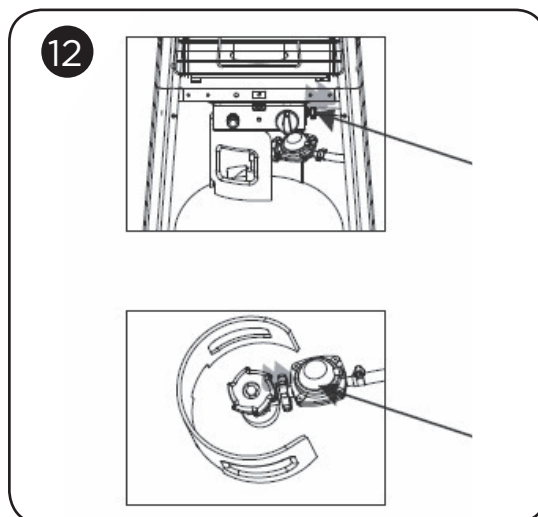
12. Control de las fugas.



Manguera/Regulador
CONEXIÓN



Regulador/Bombona
CONEXIÓN



PRUEBA DE FUGAS

Esto debe hacerse antes del primer uso, todos los años, y cada vez que se sustituyan o se reparen componentes del sistema de gas. No fume durante la realización de esta prueba, y elimine todas las fuentes de calor. Consulte el diagrama de las pruebas de fugas para las zonas objeto de control. Gire todos los controles del quemador a la posición OFF. Inicie el suministro de gas.

Aplique con una brocha una solución líquida al 50% de detergente y 50% de agua en todas las juntas y enlaces.

Se formarán burbujas de jabón en caso de fuga. Ajuste la junta suelta o haga sustituir la pieza por otra y haga que el calefactor sea revisado por personal especializado.

Si no puede detener la fuga, detenga inmediatamente el suministro de gas, desconéctelo y haga comprobar el calefactor por un instalador o técnico de gas certificado.

¡NO utilice el calefactor!

¡ADVERTENCIA! Debe realizarse anualmente un control de fugas y cada vez que se conecte una bombona o se sustituya una parte del sistema de gas.

¡ADVERTENCIA! Nunca use una llama para comprobar si hay fugas. Asegúrese de que no se produzcan chispas o llamas en el área donde se está realizando la comprobación de fugas. Las chispas o las llamas provocarían un incendio o una explosión, daños materiales, lesiones corporales graves o la muerte.

10. Relación de control de problemas

PROBLEMA	POSIBLE CAUSA	SOLUCIÓN
La lámpara piloto no se enciende	<ul style="list-style-type: none"> • La válvula de gas podría estar en OFF • Tanque vacío • Abertura bloqueada • Aire en el sistema de suministro 	<ul style="list-style-type: none"> • Abra la válvula de gas • Vuelva a cargar el tanque de LPG • Limpie o reemplace la abertura • Liberar el aire de las líneas
El piloto no permanece encendido	<ul style="list-style-type: none"> • Suciedad alrededor de la llama piloto • Conexiones sueltas • Termocupla insuficiente • Pérdida de gas en línea • Falta de presión del gas 	<ul style="list-style-type: none"> • Limpie el área sucia • Apriete las conexiones • Cambie la termocupla • Compruebe las conexiones • Tanque casi vacío • Vuelva a cargar el tanque de GLP.
El quemador no se enciende	<ul style="list-style-type: none"> • Poca presión • Abertura bloqueada • El control no está en ON • Termocupla insuficiente • No se ha ensamblado la llama piloto 	<ul style="list-style-type: none"> • Tanque casi vacío • Vuelva a cargar el tanque de LPG • Extraiga y limpie • Abra la válvula • Cambie la termocupla • Ensamble correctamente la llama

11. Eliminación de las partes eléctricas y electrónicas



En cumplimiento con el Artículo 13 del Decreto Ley N°. 151 de 25 de julio de 2005, “Implementación de las Directivas CE /2002/95, CE/2002/96 y CE/2003/108, relativas a la reducción en el uso de sustancias peligrosas en equipos eléctricos y electrónicos, así como a la eliminación de residuos”.

Los productos que lleven el símbolo de un cubo de basura con barras deberán depositarse de forma separada con respecto al resto de residuos. El usuario deberá depositar el producto en cuestión en los centros de reciclado adecuados para residuos eléctricos y electrónicos, o él/ella deberán entregar el producto usado al detallista al adquirir uno nuevo o equivalente, de forma individual. La recogida separada de residuos permite que el equipo utilizado sea reciclado, tratado y eliminado sin consecuencias negativas para la salud o el medio ambiente, y además permite que los materiales del equipo puedan reciclarse. Los vertidos ilegales de productos por parte del usuario entrañan sanciones administrativas.



Aquecedor de exterior

01. Normas gerais de segurança

Por favor, leia as seguintes normas de segurança antes de colocar o aquecedor de exterior em funcionamento.

PARA A SUA SEGURANÇA

Se cheira a gás:

1. Desligue o fornecimento de gás do aparelho.
2. Apague qualquer chama acesa.
3. Se o cheiro persistir, entre imediatamente em contacto com o seu revendedor ou assistência técnica.

PARA A SUA SEGURANÇA

1. Não armazene nem use gasolina ou outros vapores e líquidos inflamáveis perto deste ou de outro aparelho semelhante.
2. A botija de gás, quando não estiver ligada para ser usada, não deve ser armazenada perto deste ou de outro aparelho semelhante.

AVISO

- 1) Utilizar no exterior ou em lugares amplamente ventilados.
- 2) Para um lugar amplamente ventilado, deve ter uma abertura igual a 25%, no mínimo, da superfície do lugar.

As seguintes operações: instalação, colocação, alteração, assistência ou manutenção inadequadas podem causar lesões ou danos materiais.

Leia cuidadosamente as instruções de instalação, funcionamento e manutenção antes de instalar ou fazer a revisão deste aparelho.

AVISO

Leia as instruções antes de instalar e usar.

- Este aparelho deve ser instalado e a botija de gás armazenada em conformidade com os regulamentos existentes.
- Não bloqueie as aberturas de ventilação da carcaça da botija.
- Não desloque o aparelho enquanto está em funcionamento.
- Feche a válvula da botija de gás ou o regulador antes de mover o aparelho.
- Os tubos ou as mangueiras devem ser substituídos nos intervalos de tempo indicados.
- Utilize apenas o tipo de gás e o tipo de botija especificados pelo fabricante.
- A botija de gás utilizada com o aquecedor de exterior deve atender aos seguintes requisitos:
 - ✓ Dimensões: Ø30,5 x H57,1 cm.
 - ✓ Capacidade mínima: 23 kg.
- Em caso de vento forte, prestar atenção especial à inclinação do aparelho.

ATENÇÃO

- Não utilize o aquecedor em ambientes fechados, uma vez que poderia causar ferimentos pessoais ou danos à propriedade.
- Este aquecedor de exterior não foi projectado para ser instalado em veículos de recreio e/ou barcos.
- A instalação e reparação só deverão ser confiadas a pessoal qualificado.
- As seguintes operações: instalação, colocação, alteração podem causar lesões ou danos à propriedade.
- Não tente alterar a unidade de qualquer forma.
- Nunca substitua ou troque o regulador por outro que não seja recomendado pelo fabricante.
- Não armazene nem utilize gasolina ou outros vapores ou líquidos inflamáveis na unidade de aquecimento.
- Todo o sistema de gás, a mangueira, o regulador, a luz piloto ou o queimador devem ser inspecionados antes de serem utilizados para detectar quaisquer fugas ou danos, pelo menos uma vez por ano, por pessoal de assistência qualificado.
- Todos os testes de fugas devem ser feitos com uma solução de detergente. Nunca utilize uma chama para verificar se existem fugas.
- Não utilize o aquecedor até que todas as ligações tenham sido testadas para detectar eventuais fugas.
- Feche a válvula de gás imediatamente se sentir cheiro a gás. Feche a válvula da botija em caso de uma fuga no tubo.
- Ligação do regulador: feche a ligação e então faça outro teste à procura de fugas. Se continuarem a surgir bolhas, deve devolver o tudo ao ponto de venda. No caso de fugas na válvula reguladora / botija: desligue, ligue novamente e verifique se as fugas continuam. -Se continuar a ver bolhas depois de várias tentativas, a válvula da botija está com defeito e deve ser devolvida ao ponto de venda da botija.
- Feche a válvula de gás imediatamente se sentir cheiro a gás. Feche a válvula da botija em caso de fugas na mangueira.
- Não mova o aquecedor enquanto estiver em uso.
- Não desloque o aquecedor após tê-lo desligado até que tenha descido a temperatura.
- Mantenha a abertura da botija livre para que se ventile.
- Não pinte a tela radiante, o painel de controlo ou o reflector convexo superior.
- O painel de controlo, o queimador e a saída do fluxo de ar do aquecedor devem ser mantidos limpos.
- Se necessário, uma limpeza frequente pode ser necessária.
- A botija de gás deve estar fechada quando o aquecedor não estiver em uso.
- Verifique imediatamente o aquecedor em qualquer um dos seguintes casos:
 - ✓ O aquecedor não atinge a temperatura.
 - ✓ O queimador emite um som de clique durante o uso (um ruído suave é normal quando o queimador está desligado).
 - ✓ Há um cheiro a gás com uma intensa cor amarela na ponta da chama.
- O regulador do gás / a mangueira devem ser colocados longe dos lugares de passagem de pessoas, que poderiam tropeçar neles ou em áreas onde a mangueira possa causar danos acidentais.
- Toda a tela ou outro dispositivo de protecção retirado pela supervisão do aquecedor deve ser colocado antes de pôr o aquecedor em funcionamento.
- Adultos e crianças devem manter-se afastados de superfícies a altas temperaturas para evitar queimaduras ou a ignição do vestuário.
- As crianças devem ser supervisionadas cuidadosamente quando estão perto do aquecedor.
- Vestuário ou outros materiais inflamáveis não devem ser pendurados ou deixados sobre ou perto do aquecedor.

- Troque a botija de gás num lugar bem ventilado, longe de qualquer fonte de calor (velas, cigarros, outros aparelhos que produzam chamas,...).
- Verifique se o selo do regulador está bem apertado e capaz de desempenhar o seu papel plenamente, como mostrado na imagem à direita.
- Não bloqueie as aberturas de ventilação da carcaça da botija.
- Interrompa a saída de gás da válvula da botija de gás ou o regulador após a utilização;
- Em caso de fugas de gás, o aparelho não deve ser utilizado ou se está ligado, o fornecimento de gás deve ser interrompido e a unidade deve ser inspecionada e reparada antes de voltar a ser usada.
- Verifique a mangueira pelo menos uma vez por mês, sempre que trocar a botija de gás ou sempre antes de uma utilização depois de muito tempo.
- Se mostra sinais de ruptura, rachas ou outros sinais de deterioração deve ser substituída por uma mangueira nova do mesmo comprimento e de qualidade equivalente.
- O uso deste dispositivo em lugares fechados pode ser perigoso e é proibido.
- Leia as instruções antes de utilizar este aparelho. O aparelho deve ser instalado de acordo com as especificações e regulamentações locais.
- Para a ligação da mangueira ao regulador e a ligação do regulador à mangueira, por favor, veja a imagem acima.

02. Colocação e instalação do aquecedor

O aquecedor só é adequado para uso ao ar livre. Certifique-se sempre que é fornecida a ventilação de ar fresco necessária.

Mantenha sempre longe de materiais combustíveis desprotegidos, um mínimo de 100 cm de altura e 100 cm nos lados.

O aquecedor deve ser colocado sobre uma superfície sólida.

Nunca utilize o aquecedor num ambiente explosivo, como em áreas onde é armazenada gasolina ou outros líquidos ou vapores inflamáveis.

Para proteger o aquecedor no vento forte, ancorar a base firmemente ao chão com parafusos.

03. Requisitos do gás

Use apenas propano, butano e outras misturas de gases.

O regulador de pressão e o conjunto da mangueira indicados devem respeitar as normas locais. A instalação deve estar de acordo com os códigos locais, ou na sua ausência, com as normas para a conservação e a gestão de gases líquidos.

Pode ser arriscado ter uma botija amassada, enferrujada ou danificada e deve ser controlada pelo fornecedor. Nunca ligue uma botija danificada ao aquecedor.

04. Testes de Fugas

As ligações do gás ao aquecedor são testadas em fábrica para determinar se existem fugas antes da sua expedição. Deve ser feito um controlo completo da ligação de gás onde será instalado para detectar manipulações que ocorreram durante a transferência ou que tenha sido exercida sobre o aquecedor uma pressão excessiva.

Preparar uma solução com uma parte de detergente líquido e uma parte de água. A solução de detergente pode ser aplicada com um distribuidor em spray, um pincel ou um pano. No caso de fugas, irão formar-se bolhas de sabão.

O aquecedor deve ser inspecionado com a botija cheia.

Certifique-se de que a válvula de segurança está na posição OFF.

Iniciar o fornecimento de gás.

Em caso de fuga, pare o fornecimento de gás. Aperte cada acessório que produza perdas, ligue o fornecimento de gás e verifique novamente.

Nunca faça um teste enquanto fuma.

05. Funcionamento e conservação

ACENDER O AQUECEDOR

1. Abra completamente a válvula presente na botija de gás.
2. Pressione e rode o botão de controlo variável até à posição PILOT (a 90° no sentido anti-horário).
3. Pressione o botão de controlo variável e segure-o por 30 segundos. Enquanto mantém o botão de controlo pressionado, carregue no botão de acendimento várias vezes até que a chama-piloto se acenda. Solte o botão de controlo variável logo que a chama-piloto se acenda.

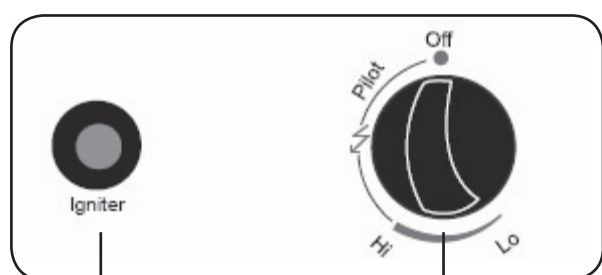
Nota:

- Se acaba de ligar uma botija nova, por favor, deixe entrar, por pelo menos um minuto, o ar na mangueira de gás para o deixar sair pelo buraco do piloto.
 - Ao acender a chama-piloto, certifique-se que o botão de controlo variável é pressionado continuamente ao carregar no botão de acendimento. Pode soltar o botão de controlo variável logo que a chama-piloto se acenda.
 - Se a chama-piloto não se acende ou apaga-se, repita o passo nº 3.
4. Após o acendimento da chama-piloto, rode o botão de controlo variável até à posição máxima e deixe-o nesta posição durante 5 minutos ou mais antes de rodar o botão até à posição da temperatura desejada.

Aviso: verifique se os cristais não se partiram antes de o colocar em funcionamento.

APAGAR O AQUECEDOR

1. Rode o botão de controlo variável até à posição PILOT.
2. Pressione e rode o botão de controlo variável até à posição OFF.
3. Feche completamente a válvula sobre a botija de gás.



Dispositivo de acendimento

Botão de controlo variável

Off: o aquecedor apaga-se.

Hi: posição de temperatura máxima.

Lo: posição de temperatura mínima.

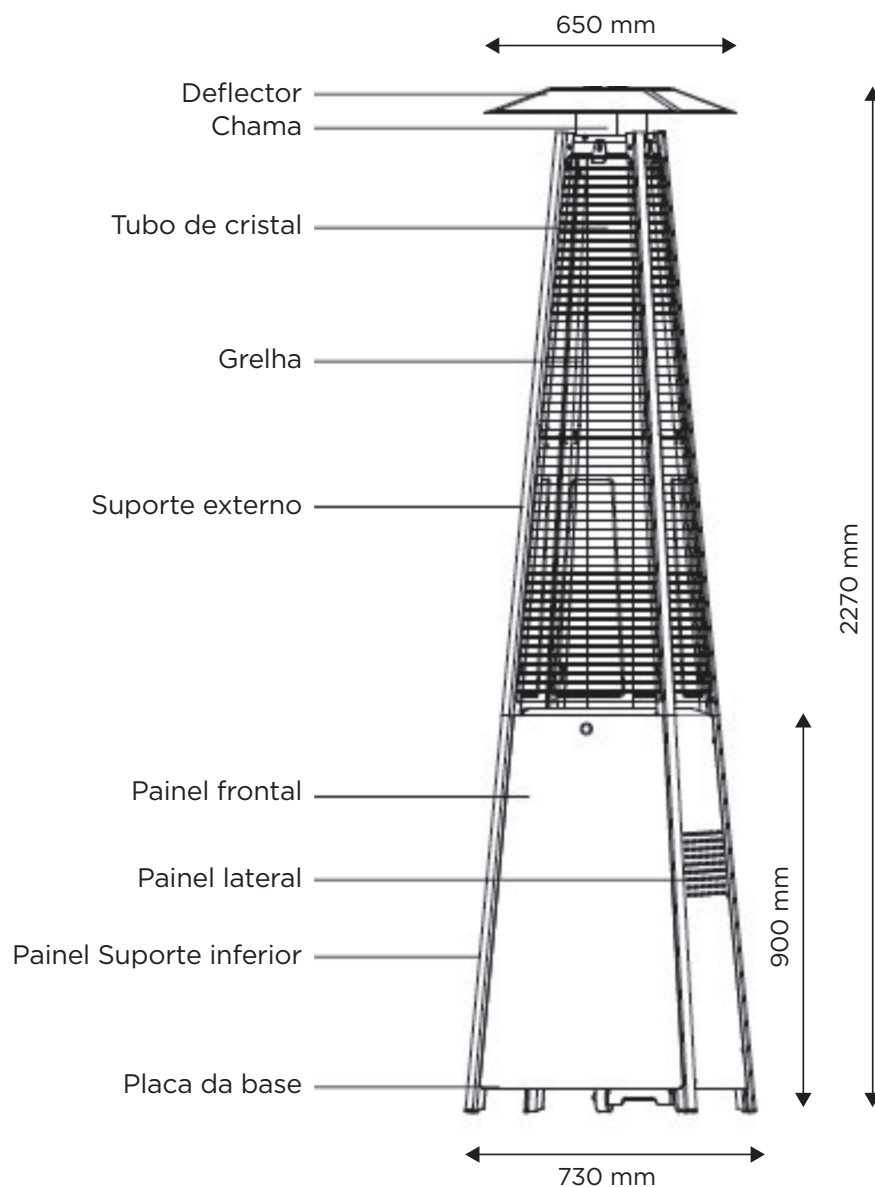
CONSERVAÇÃO

1. Feche sempre a válvula da botija de gás após a utilização ou em caso de problemas.
2. Retire o regulador de pressão e a mangueira.
3. Verifique se a válvula de gás está bem apertada e em boas condições. Em caso de danos suspeitos, substitua-a accionando um técnico de gás.
4. Nunca guarde a botija de gás líquido num porão, ou em áreas sem ventilação adequada.

06. Limpeza e cuidado

- Limpe o pó das superfícies com um pano húmido e macio. Não limpe o aquecedor com detergentes inflamáveis ou corrosivos.
- Retire os resíduos do queimador para o manter limpo e seguro para uso.
- Cubra o queimador com a capa de protecção opcional quando o aquecedor não está em uso.

07. Componentes e especificações



A. CONSTRUÇÃO E CARACTERÍSTICAS

- Aquecedor de terraço / jardim transportável com carcaça para botija.
- Carcaça de aço com revestimento de pó (BFH-B) ou de aço inoxidável (BFH-A).
- Saída de calor do reflector.

B. ESPECIFICAÇÕES

- Usar apenas propano, butano e outras misturas de gases.
- Tensão Max.: 13000 watts.
- Tensão Min.: 5000 watts.
- Consumo:

CATEGORIA DO APARELHO	I3+(28-30/37)		I3B/P(30)	I3B/P(50)	I3B/P(70)
TIPO DE GÁS	Butano	Propano	Butano, propano e suas misturas	Butano, propano e suas misturas	Butano, propano e suas misturas
PRESSÃO DO GÁS	28-30 mbar	37 mbar	30 mbar	50 mbar	37 mbar
PRESSÃO DE SAÍDA DO REGULADOR	30 mbar	37 mbar	30 mbar	50 mbar	37 mbar

- Uso de um regulador adequado à pressão de saída, como mostrado na tabela anterior.

C. TABELA DO INJECTOR

CATEGORIA DO APARELHO	I3+(28-30/37)		I3B/P(30)	I3B/P(50)	I3B/P(70)
TIPO DE GÁS	Butano	Propano	Butano, propano e suas misturas	Butano, propano e suas misturas	Butano, propano e suas misturas
PRESSÃO DO GÁS	28-30 mbar	37 mbar	30 mbar	50 mbar	37 mbar
PRESSÃO DE SAÍDA DO REGULADOR	30 mbar	37 mbar	30 mbar	50 mbar	37 mbar
CALOR TOTAL INPUT (Hs): (Qn)	13Kw (945g/h)				
DIMENSÃO DO INJECTOR	1,88 mm para o queimador principal 0,18 mm para o queimador do piloto			1,55 mm para o queimador principal 0,18 mm para o queimador do piloto	1,65 mm para o queimador principal 0,18 mm para o queimador do piloto
A indicação 1,88, por exemplo, sobre o injector indica que a dimensão do injector é igual a 1,88 mm					

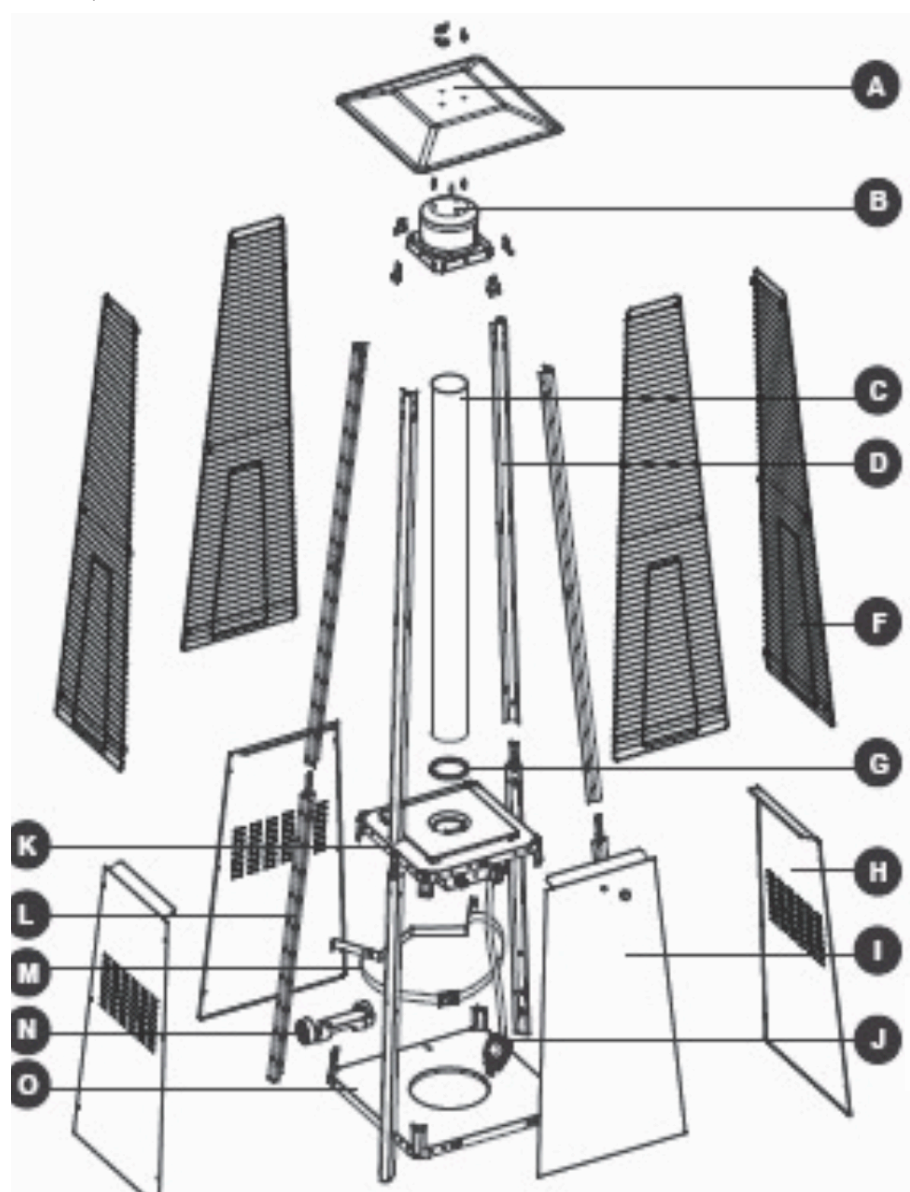
- O regulador e o conjunto da mangueira indicados devem respeitar os regulamentos locais.
- A pressão de saída do regulador de pressão deve ser ajustada à categoria do dispositivo correspondente ao diagrama B. Especificações.
- O aparelho requer um comprimento de mangueira padrão de 1,4 m.

08. Montagem dos componentes

Ferramentas necessárias:

- Chave de fendas Phillips de ponta média.
- Dispensador spray com a solução de detergente para testar eventuais fugas.

RELAÇÃO DOS COMPONENTES

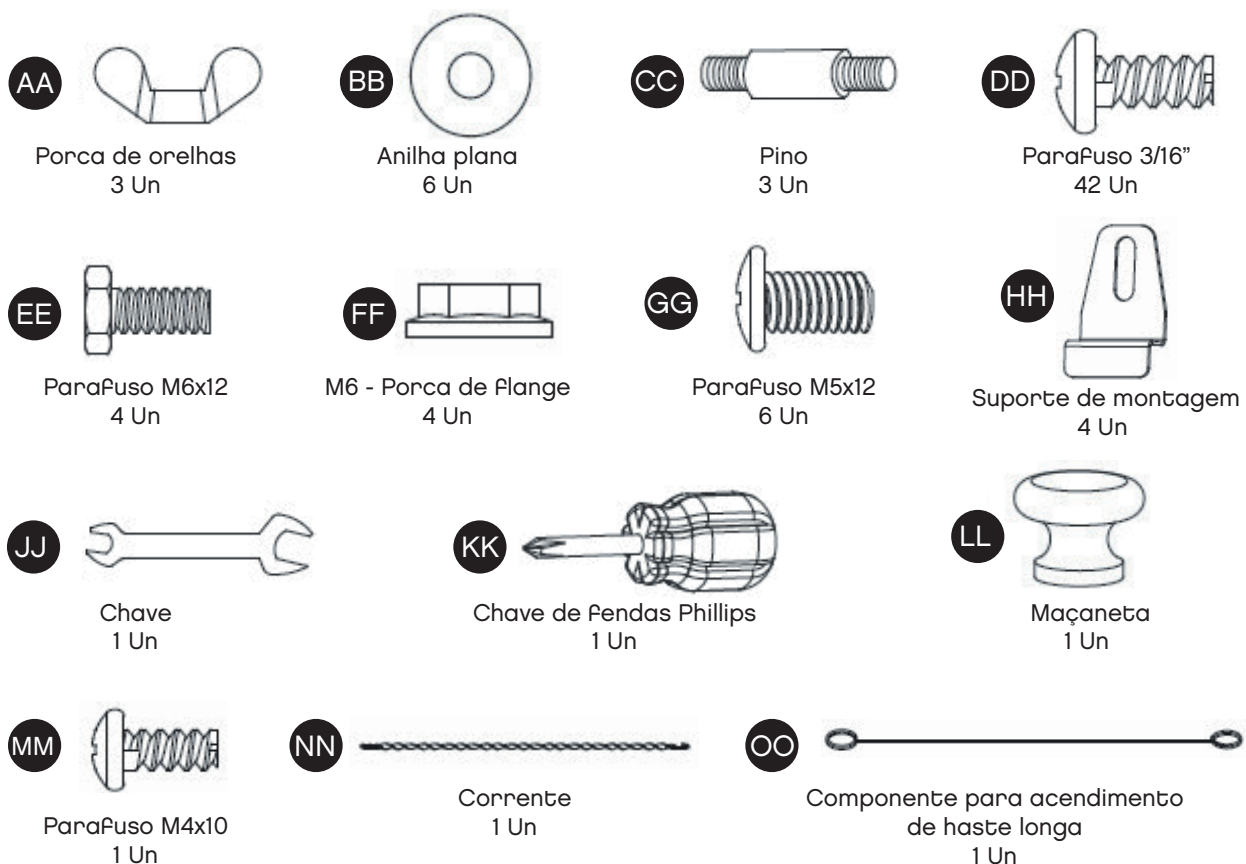


A	Deflector	1
B	Tela da chama	1
C	Tubo de vidro superior	1
D	Suporte superior	4
F	Painel de protecção	4
G	Anel de silicone preto	1
H	Painel lateral	3

I	Painel frontal	1
J	Não incluído	1
K	Grupo da caixa de controlo	1
L	Suporte inferior	4
M	Cinto de bloqueio	1
N	Não incluído	1
O	Placa da base	1

CONJUNTO DOS COMPONENTES

Parafusos e Ferramentas:

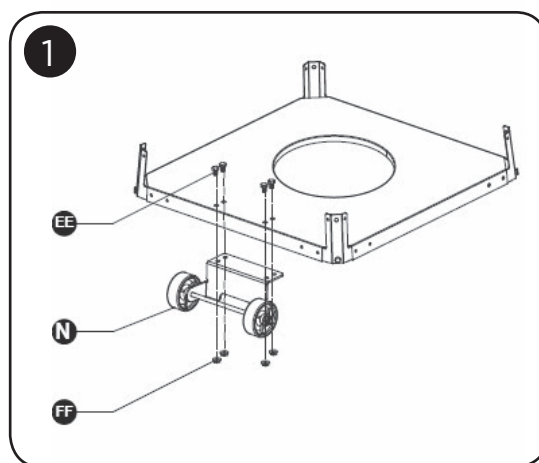


09. Procedimento de montagem

1. Monte as rodas na placa base.

Fixe as rodas à placa base através de 4 parafusos M6x12 e 4 porcas de flange M6.

Peças usadas:

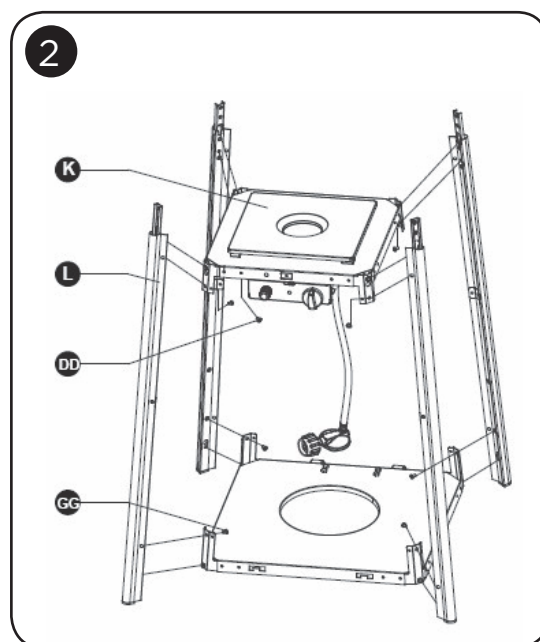


2. Insira os pinos da base nos furos do suporte inferior e pressione para segurar os pinos.

Use 4 parafusos M5x12 para fixar o suporte inferior e a base. Insira os pinos do grupo da caixa de controle nos furos do suporte superior, pressione para fixar os pinos. Use 4 parafusos de 3/16" para fixar o suporte superior e o grupo da caixa de controle.

Peças usadas:



- GG** Parafuso M5x12  x4
- DD** Parafuso 3/16"  x4
- KK** Chave de fendas Philips  x1

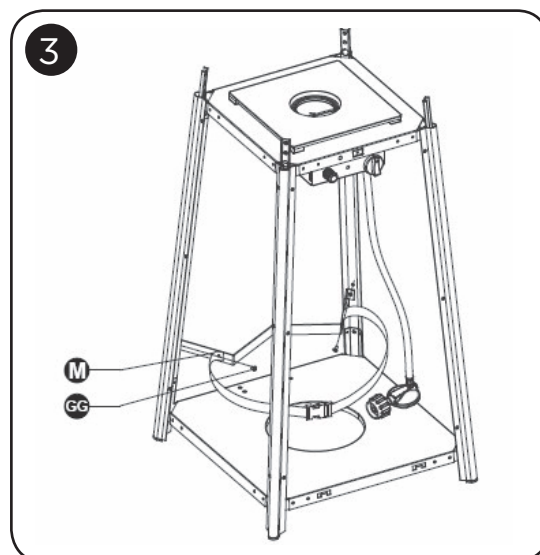


3. Monte a correia de bloqueio.

Fixe a correia de bloqueio às duas braçadeiras do suporte inferior atrás do painel frontal, utilizando dois parafusos M5x12.

Peças usadas:

- GG** Parafuso M5x12  x2
- KK** Chave de fendas Philips  x1

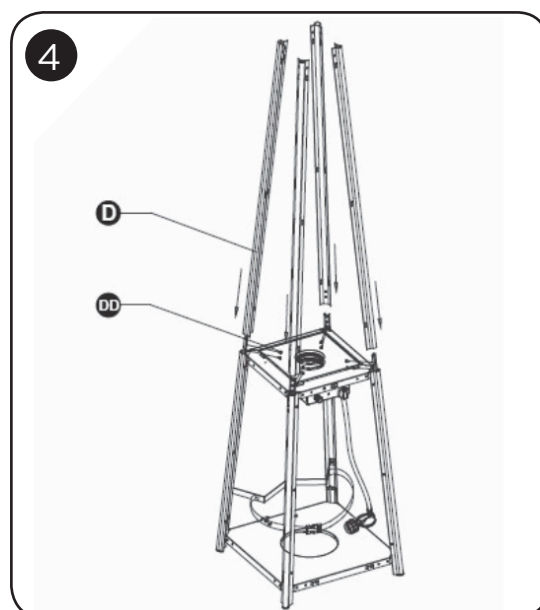


4. Monte o suporte central.

Insira os 4 eixos do suporte superior no suporte inferior. Fixe com 8 parafusos 3/16".

Peças usadas:

- DD** Parafuso 3/16"  x8
- KK** Chave de fendas Philips  x1

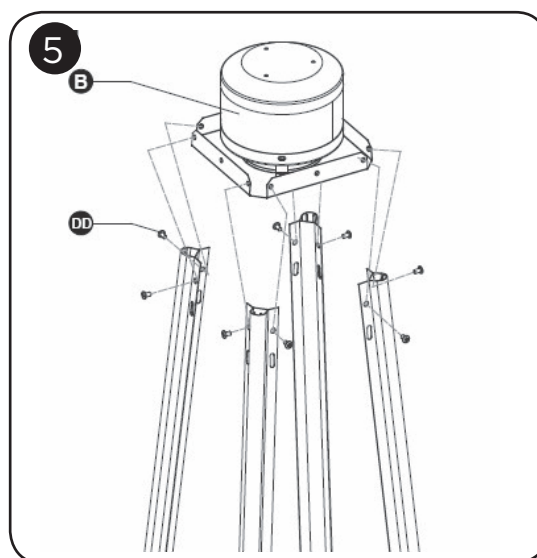


5. Monte a tela para a chama no suporte superior.

Fixe a tela para a chama ao suporte superior com 8 parafusos 3/16"

Peças usadas:

- DD** Parafuso 3/16" x8
- KK** Chave de fendas Philips x1

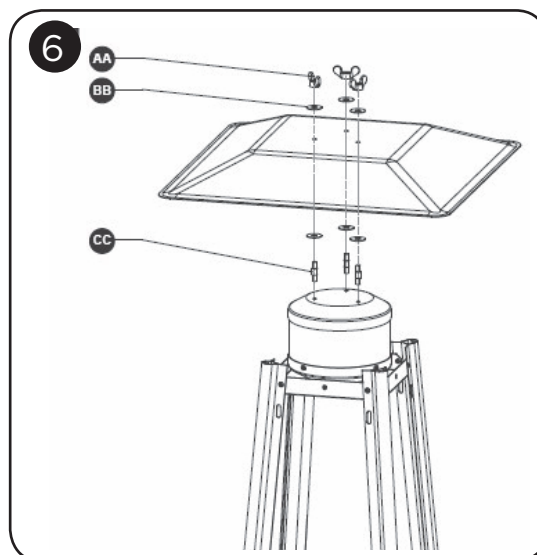


6. Monte o refletor sobre a tela para a chama.

Aparafuse os 3 pinos sobre a tela para a chama. Coloque as 3 anilhas Ø6 na parte superior do pino; em seguida, coloque o refletor sobre o pino. Fixe-os com 3 anilhas Ø6 e 3 porcas de orelhas.

Peças usadas:

- AA** Porca de orelhas x3
- BB** Anilha Ø6 x6
- CC** Pino x3



7. Instale cuidadosamente o tubo de vidro levantando-o e inserindo-o no orifício central da placa superior.

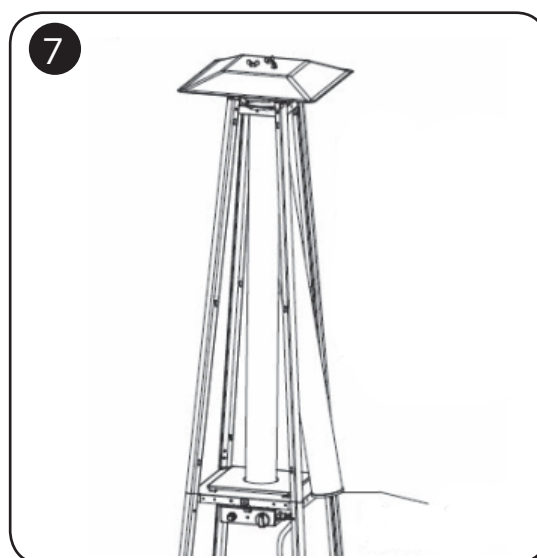
Certifique-se de que o anel de silicone preto está unido à parte inferior do tubo de vidro como mostrado.

Deslize o tubo de vidro através do orifício da tampa da placa inferior e sobre a placa central.

Verifique e certifique-se de que o tubo de vidro está posicionado corretamente e cubra completamente o orifício da placa central.

AVISO! O anel de silicone preto deve ser colocado antes de pôr o aquecedor em funcionamento.

Para facilitar a instalação, coloque o anel de silicone preto na placa central e em seguida instale o tubo de vidro. Certifique-se de que a borda do tubo de vidro coincide.






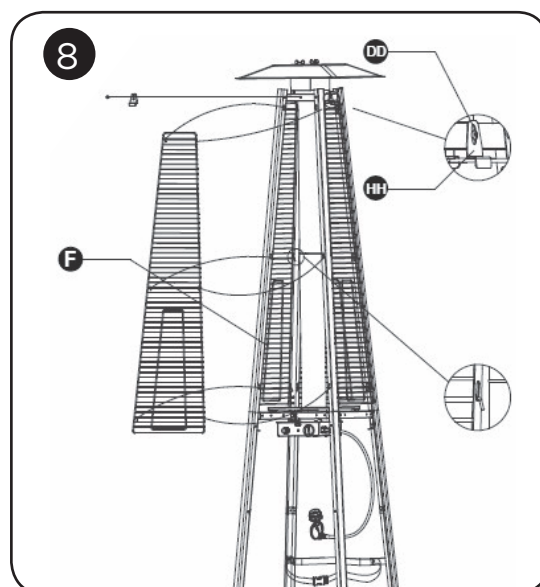
8. Monte o painel de protecção.

Coloque os ganchos do painel de protecção nos furos dos suportes.

Fixe os painéis de protecção com os suportes de montagem com 4 parafusos de 3/16".

Peças usadas:

- DD** Parafuso 3/16"  x8
- KK** Chave de fendas Philips  x1
- HH** Suporte de montagem  x4



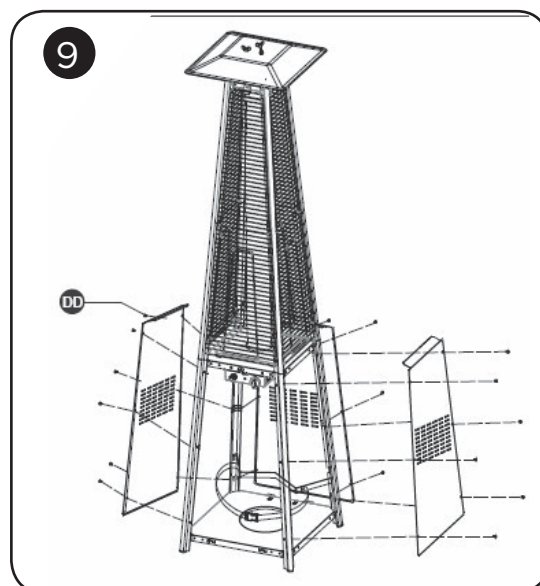
9. Monte os três painéis laterais do aquecedor.

Utilizar 18 parafusos 3/16".

Nota: Não cubra o painel frontal onde se encontra o botão de controlo.

Peças usadas:




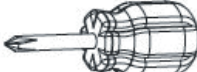
- DD** Parafuso 3/16"  x18
- KK** Chave de fendas Philips  x1

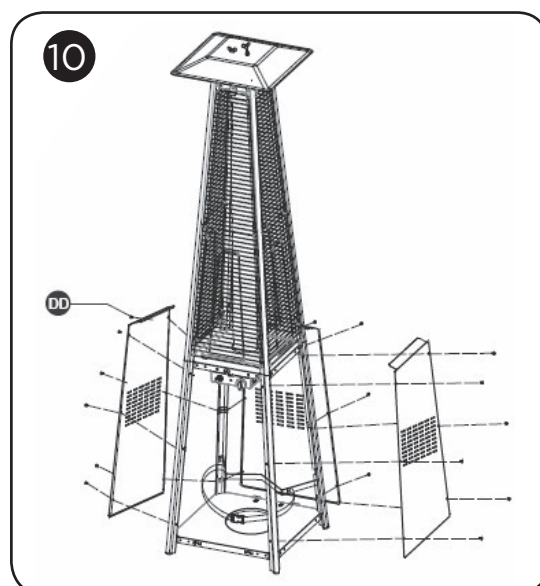


10. Instale o botão com um parafuso M4x10.

Pendure a corrente no orifício do grupo da caixa de controlo e coloque o gancho do painel frontal nos furos da placa da base.

Peças usadas:

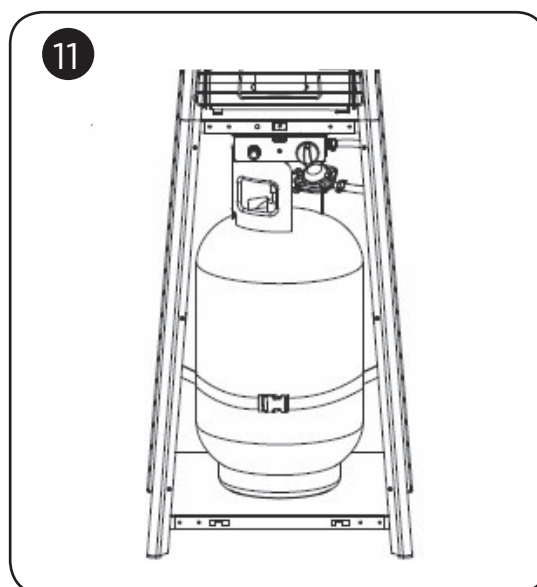
- LL** Maçaneta  x1
- MM** Parafuso M4x10  x1
- NN** Corrente  x1
- KK** Chave de fendas Phillips  x1



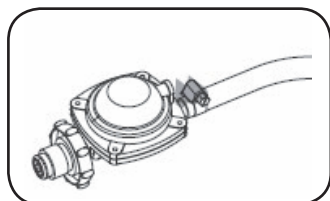
11. Ligação da mangueira somente para gás propano.

AVISO! Certifique-se de que a mangueira não toca em qualquer superfície quente uma vez que poderia derreter e a fuga poderia provocar um incêndio.

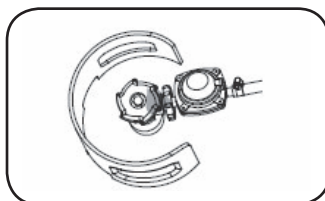
Depois de colocar a botija no aquecedor, prenda-a firmemente com a correia de fixação.



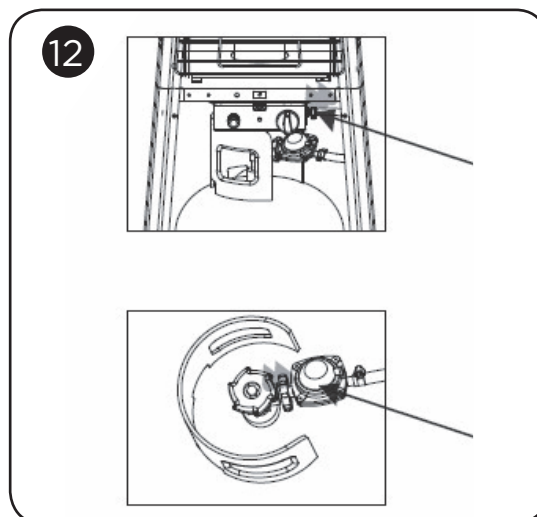
12. Controlo das Fugas.



Mangueira/Regulador
LIGAÇÃO



Regulador/Botija
LIGAÇÃO



TESTE DE FUGAS

Isto deve ser feito antes da primeira utilização, todos os anos e sempre que componentes do sistema de gás forem substituídos ou reparados. Não fume durante a realização deste teste e remova todas as fontes de calor. Consulte o diagrama dos testes de fugas para áreas sujeitas a controlo. Rode todos os controlos do queimador até à posição OFF. Inicie o fornecimento de gás.

Aplique com um pincel uma solução líqüida de 50% de detergente e 50% de água em todas as juntas e ligações.

Em caso de fuga irão formar-se bolhas de sabão. Ajuste a junta solta ou substitua a peça por outra e faça com que o aquecedor seja visto por pessoal especializado.

Se não consegue parar a fuga, interrompa imediatamente o fornecimento de gás, desligue-o e por favor, faça o aquecedor ser verificado por um instalador ou técnico de gás certificado.

NÃO utilize o aquecedor!

AVISO! Deve ser realizado anualmente um controlo de fugas e sempre que ligar uma botija ou seja substituída uma parte do sistema de gás.

AVISO! Nunca utilize uma chama para verificar se existem fugas. Certifique-se que não são produzidas faíscas ou chamas na área onde está a decorrer a verificação de fugas. Faíscas ou chamas provocariam um incêndio ou uma explosão, danos materiais, lesões corporais graves ou morte.

10. Resolução de problemas

PROBLEMA	CAUSA POSSÍVEL	SOLUÇÃO
A luz piloto não se acende	<ul style="list-style-type: none">• A válvula de gás poderá estar no OFF• Tanque vazio• Abertura bloqueada• Ar no sistema de fornecimento	<ul style="list-style-type: none">• Abra a válvula de gás• Volte a carregar o tanque de LPG• Limpe ou substitua a abertura• Retire o ar das linhas
O piloto permanece aceso	<ul style="list-style-type: none">• Sujidade à volta da chama-piloto• Ligações soltas• Termopar insuficiente• Perda de gás na linha• Falta de pressão do gás	<ul style="list-style-type: none">• Limpe a área suja• Aperte as ligações• Troque o termopar• Verifique as ligações• Tanque quase vazio• Volte a carregar o tanque de GLP.
O queimador não se acende	<ul style="list-style-type: none">• Pouca pressão• Abertura bloqueada• O controlo não está no ON• Termopar insuficiente• A chama-piloto não foi montada	<ul style="list-style-type: none">• Tanque quase vazio• Volte a carregar o tanque de LPG• Retire-o e limpe-o• Abra a válvula• Troque o termopar• Monte correctamente a chama

11. Eliminação de peças eléctricas e electrónicas



Nos termos do artigo 13 do Decreto Legislativo nº 151 de 25 de Julho de 2005, “Implementação das Directivas 2002/95/CE, 2002/96/CE e 2003/108/CE, relativas à redução em uso de substâncias perigosas em equipamentos eléctricos e electrónicos, bem como a eliminação de resíduos”.

Produtos que ostentam o símbolo do caixote do lixo barrado devem ser eliminados separadamente de outros resíduos. O utilizador deve, portanto, eliminar o produto em questão em centros de reciclagem adequados para resíduos electrónicos e electrotécnicos, ou deve entregar o produto usado ao revendedor ao comprar um novo produto equivalente, numa base individual. A recolha selectiva de resíduos permite que equipamentos usados sejam reciclados, tratados e eliminados sem consequências negativas para o ambiente e saúde, e permite que os materiais no equipamento sejam reciclados. Eliminação ilegal do produto pelo utilizador implica sanções administrativas.



KEKAI

CALEFACCIÓN

Oficina

Tel: (+34) 911 34 50 46
Email: info@kovyx.com

KOVYX OUTDOOR S.L

C/ de las Moreras 1 - Naves 7-10
Pol. Ind. Camporosso Sur
28350 - Madrid

Servicio Post-Venta

Tel: (+34) 918 09 62 29
Email: spv@kovyx.com