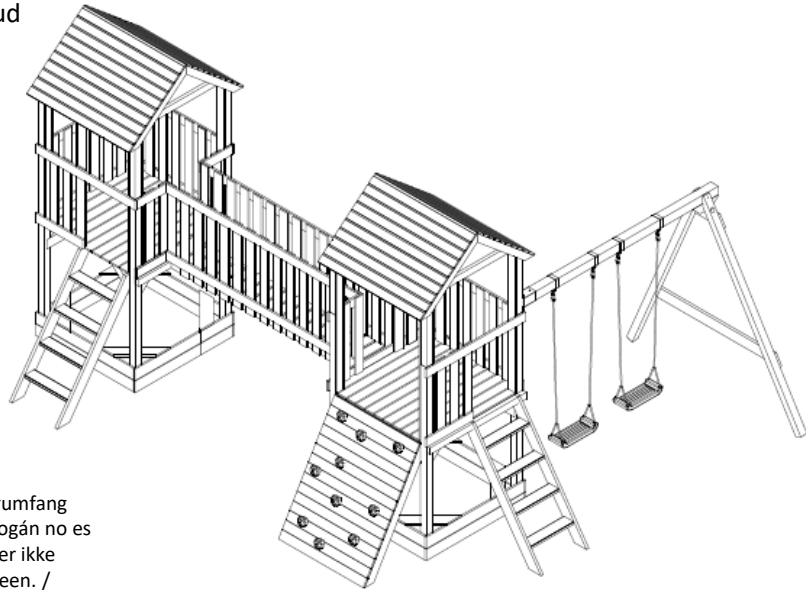


Assembly, installation and maintenance manual
Montage-, Aufbau- und Wartungsanleitung
Assemblage, manuel de montage et d'entretien
Montaje, instalación, y mantenimiento
Manuale di montaggio, installazione e manutenzione
Monterings- og vedlikeholdsmanual
Monterings-, installations- och underhållsmanual
Kokoamis-, asennus- ja huolto-ohje
Vejledning for montering og vedligehold
Handleiding voor montage, installatie en onderhoud
Manual de montagem, instalação e manutenção
Návod k montáži, instalaci a údržbě
Instrukcja montażu, instalacji i konserwacji
Surinkimo, montavimo ir priežiūros vadovas
Montāžas, uzstādīšanas un apkopes rokasgrāmata
Руководство по сборке и обслуживанию
Montaaži-, paigaldus- ja säilitamise juhend
V 1.0

Palmako
LEMEKS GROUP



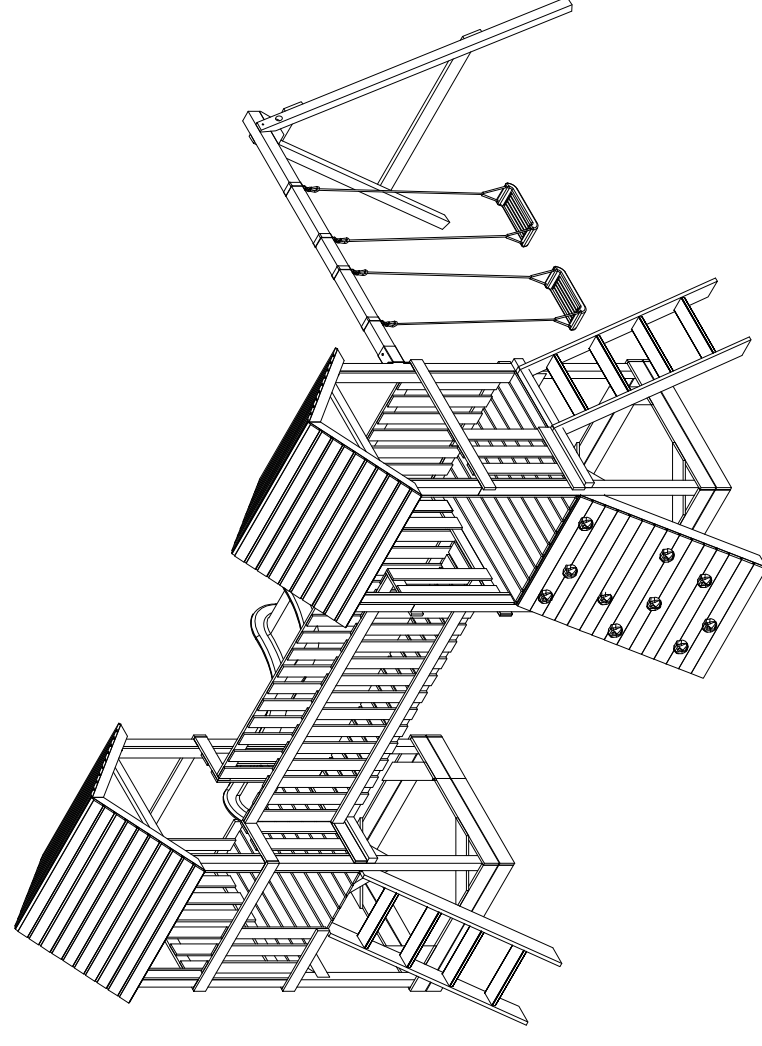
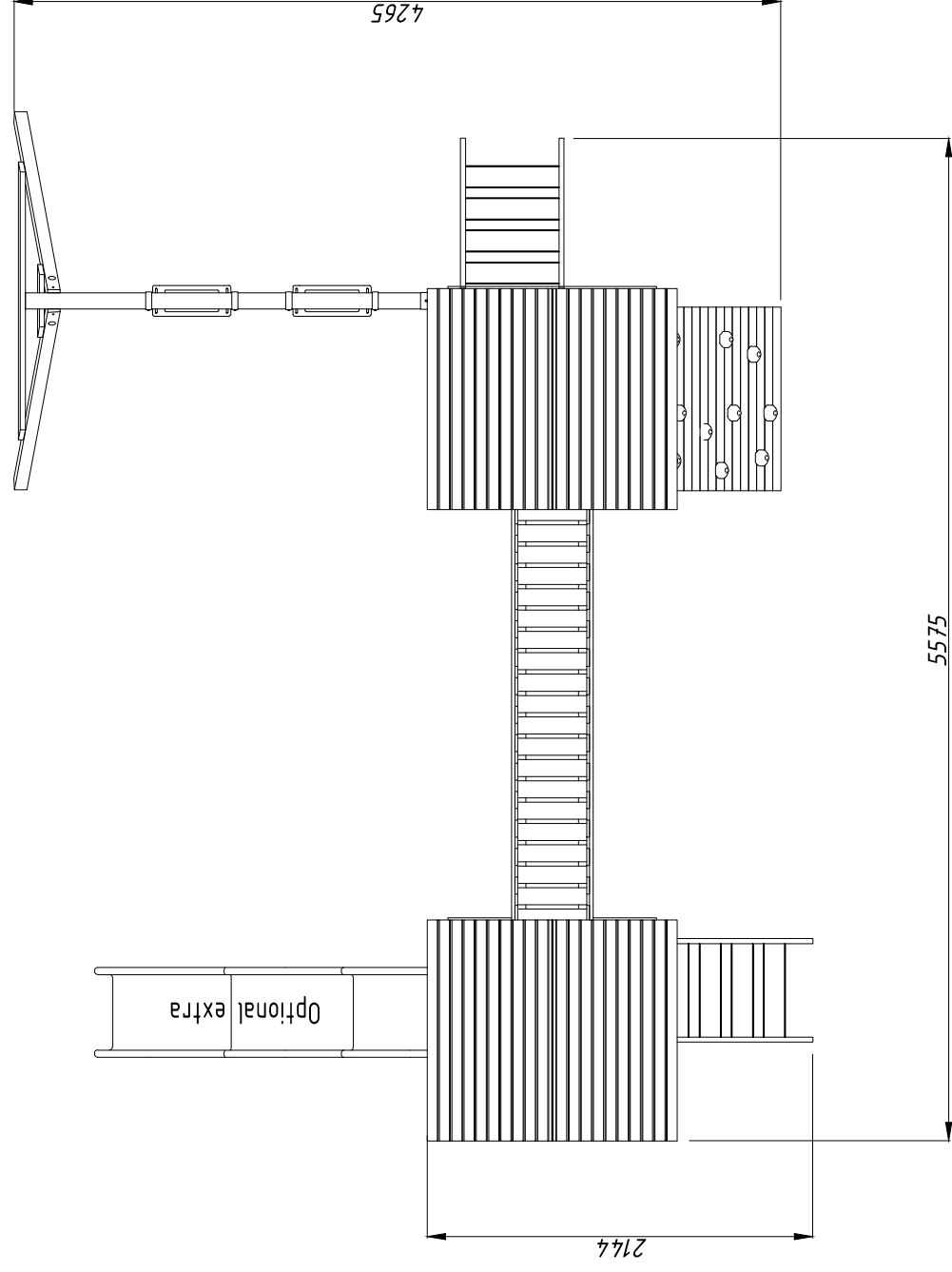
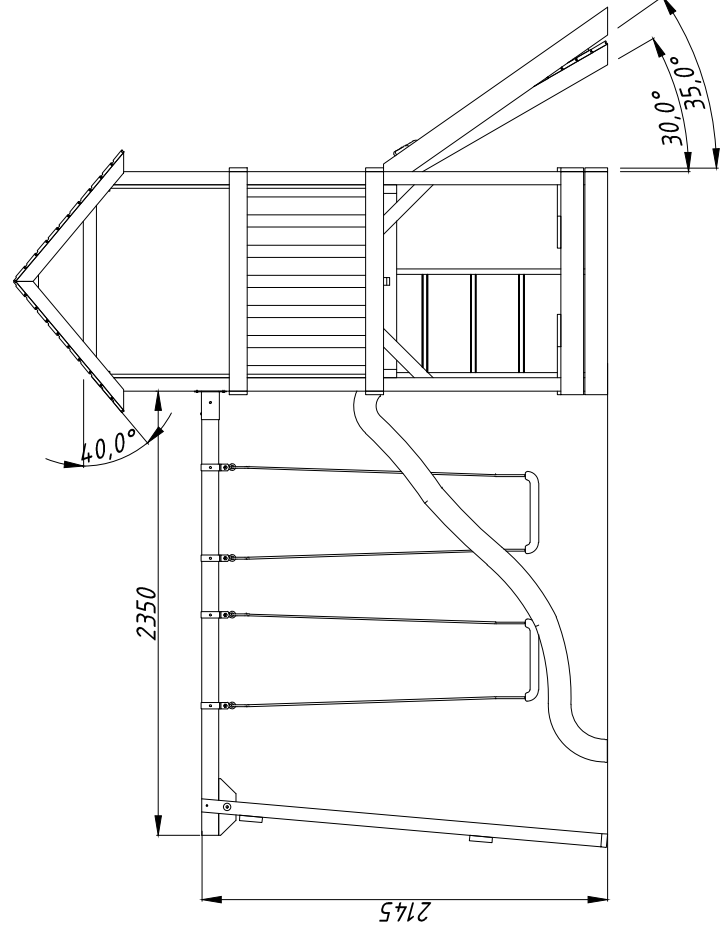
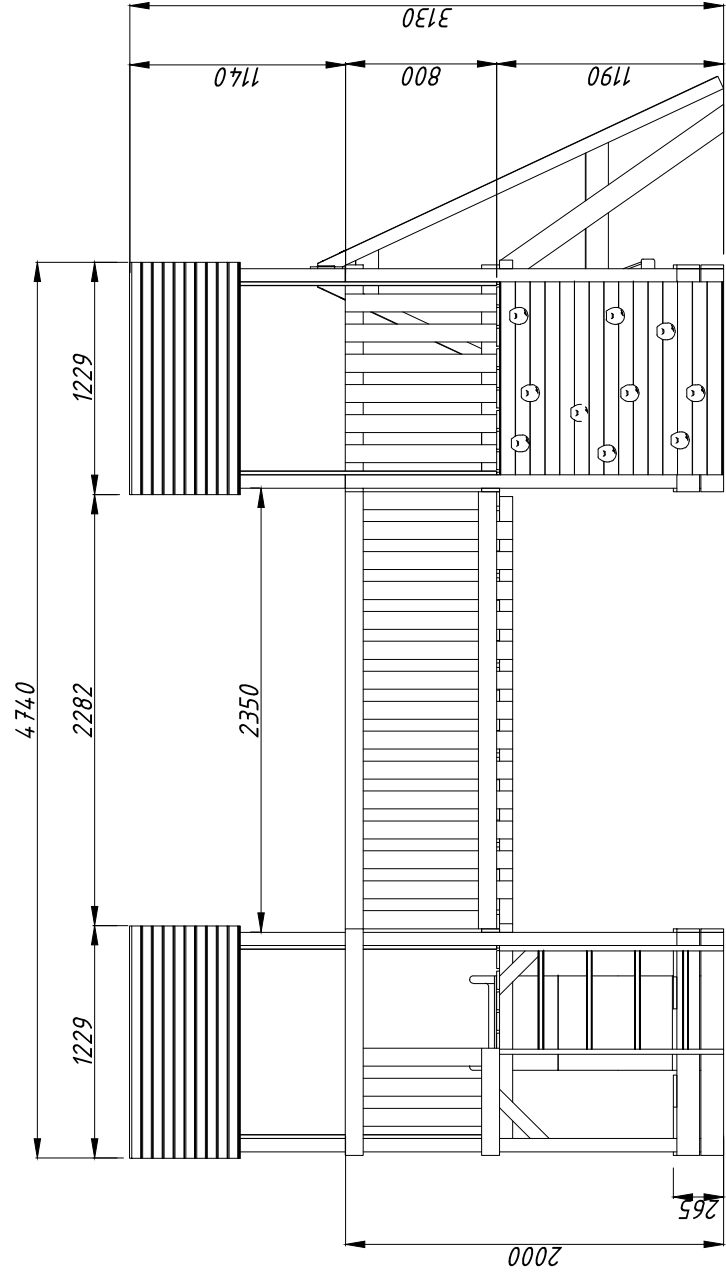
The slide is not included in the set. / Die Rutsche ist nicht im Lieferumfang enthalten. / Le toboggan n'est pas inclus dans l'ensemble. / El tobogán no es parte del paquete. / Lo scivolo non è incluso nel set. / Rutsjebane er ikke inkludert. / Rutschkanan ingår inte. / Liukumäki ei kuulu toimitukseen. / Rutsjebanen medfølger ikke dette sæt. / De glijbaan is niet inbegrepen in het pakket. / O escorrega não está incluído no conjunto. / Skluz není zahrnut v sadě. / Ślizgawka nie wchodzi w skład zestawu. / Nejtrauktos čiuožykla. / Slidkalniņš nav iekļauts komplektācijā. / Горка не входит в комплект. / Liumägi ei kuulu komplekti.

MV70-6046

Toode vastab standardile EN 71 ja Direktiivile 2009/48/EÜ.
The product complies with standard EN 71 & Directive 2009/48/EC.
Der Artikel erfüllt die Normen EN 71 & Richtlinie 2009/48/EG.
Le produit répond aux normes suivantes EN 71 & Directive 2009/48/CE.
Il prodotto rispetta le norme comunitarie EN 71 e Direttiva 2009/48/CE.
Изделие соответствует стандартам EN 71 и Директива 2009/48/EC.
Produkts atbilst standartiem EN 71 un Direktīva 2009/48/EK.
Gaminys atitinka standarto EN 71 ir Direktyvos 2009/48/EB.
Tuote on sertifioitu standardin EN 71 & Direktiivi 2009/48/EY mukaan.
Este producto cumple con la norma EN 71 y la Directiva 2009/48/CE.
Dit product voldoet aan standaard EN 71 en richtlijn 2009/48/EC.
O produto está em conformidade com a norma EN 71 e Diretiva 2009/48/CE.
Produktet overholder standarden EN 71 og direktiv 2009/48/EF.
Produkt zgodny z normą bezpieczeństwa EN 71 i wymogami dyrektywy 2009/48/WE.
Tento výrobek je v souladu s normou EN 71 a směrnici 2009/48/ES.
Produkten uppfyller standard EN 71 och direktiv 2009/48/EG.
Lekestativet er produsert etter følgendestandard og direktiv: EN 71; 2009/48/EU

Produced by:
PALMAKO AS
Näituse 25,
Tartu
50409 Estonia





Object name
T05729

Drawing
Jesper_Set1_1_2m

1:40

Paper A3

Customer

Log

Drawn by

862

Date

29.06.2021

File Jesper_Set1_1_2m.dwg

Page 1

AS Palmako

Nätkuse 25, Tartu, 50409, Estonia

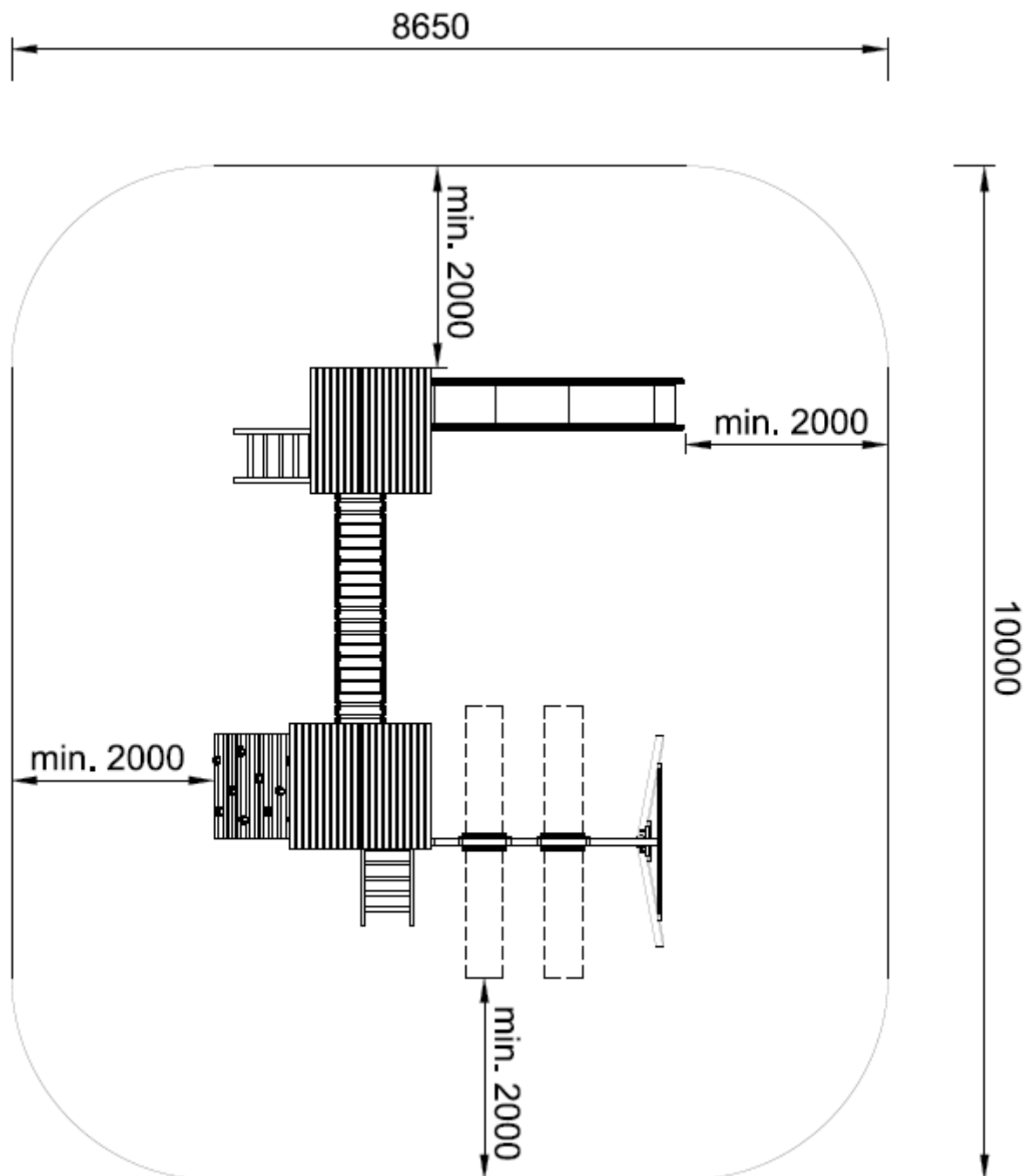
tel. +372 73 55 530

fax. +372 73 55 544

www.palmako.com

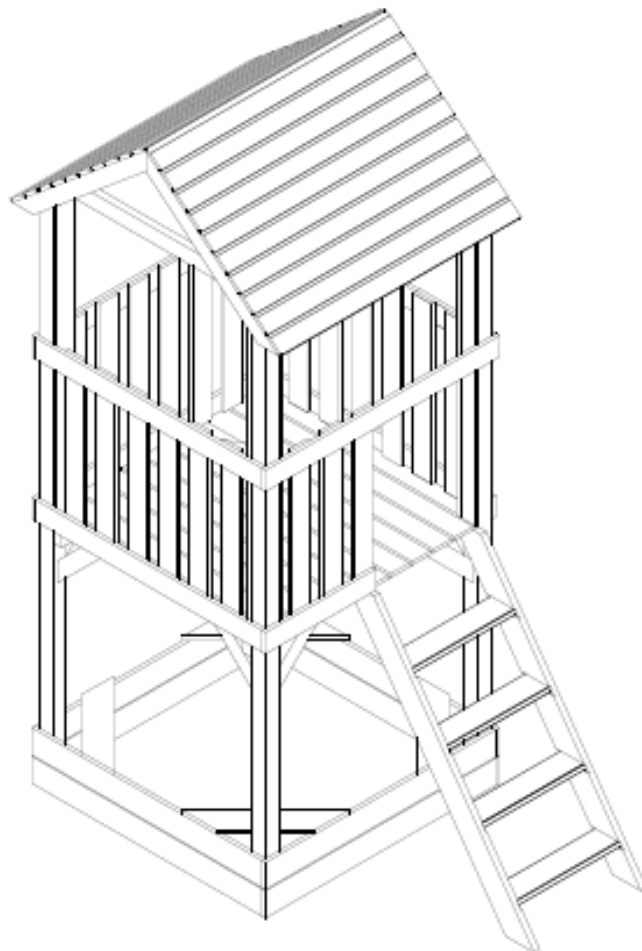
Palmako
LENEKS GROUP

**Safety area/ Sicherheitsbereich/ Secteur de sécurité/ Área de seguridad/
Zona di sicurezza/ Sikkerhetsområde/ Säkerhetsområde/ Turva-alue/
Sikkerhedsområde/ Veiligheidsgebied/ Área de segurança/
Bezpečnostní oblast/ Strefa bezpieczeństwa/ Saugumo srityje/ Drošības zona/
Зона безопасности/ Ohutusala**



Assembly, installation and maintenance manual
Montage-, Aufbau- und Wartungsanleitung
Assemblage, manuel de montage et d'entretien
Montaje, instalación, y mantenimiento
Manuale di montaggio, installazione e manutenzione
Monterings- og vedlikeholdsmanual
Monterings-, installations- och underhållsmanual
Kokoamis-, asennus- ja huolto-ohje
Vejledning for montering og vedligehold
Handleiding voor montage, installatie en onderhoud
Manual de montagem, instalação e manutenção
Návod k montáži, instalaci a údržbě
Instrukcja montażu, instalacji i konserwacji
Surinkimo, montavimo ir priežiūros vadovas
Montāžas, uzstādīšanas un apkopes rokasgrāmata
Руководство по сборке и обслуживанию
Montaaži-, paigaldus- ja säilitamise juhend
V 1.0

Palmako
LEMEKS GROUP



MV70-1212-2

Toode vastab standardile EN 71 ja Direktiivile 2009/48/EÜ.
The product complies with standard EN 71 & Directive 2009/48/EC.
Der Artikel erfüllt die Normen EN 71 & Richtlinie 2009/48/EG.
Le produit répond aux normes suivantes EN 71 & Directive 2009/48/CE.
Il prodotto rispetta le norme comunitarie EN 71 e Direttiva 2009/48/CE.
Изделие соответствует стандартам EN 71 и Директива 2009/48/EC.
Produkts atbilst standartiem EN 71 un Direktīva 2009/48/EK.
Gaminys atitinka standarto EN 71 ir Direktyvos 2009/48/EB.
Tuote on sertifioitu standardin EN 71 & Direktiivi 2009/48/EY mukaan.
Este producto cumple con la norma EN 71 y la Directiva 2009/48/CE.
Dit product voldoet aan standaard EN 71 en richtlijn 2009/48/EC.
O produto está em conformidade com a norma EN 71 e Diretiva 2009/48/CE.
Produktet overholder standarden EN 71 og direktiv 2009/48/EF.
Produkt zgodny z normą bezpieczeństwa EN 71 i wymogami dyrektywy 2009/48/WE.
Tento výrobek je v souladu s normou EN 71 a směrnici 2009/48/ES.
Produkten uppfyller standard EN 71 och direktiv 2009/48/EG.
Lekestativet er produsert etter følgendestandard og direktiv: EN 71; 2009/48/EU

Produced by:
PALMAKO AS
Näituse 25,
Tartu
50409 Estonia



1

2

3

4

A

A

B

B

C

C

D

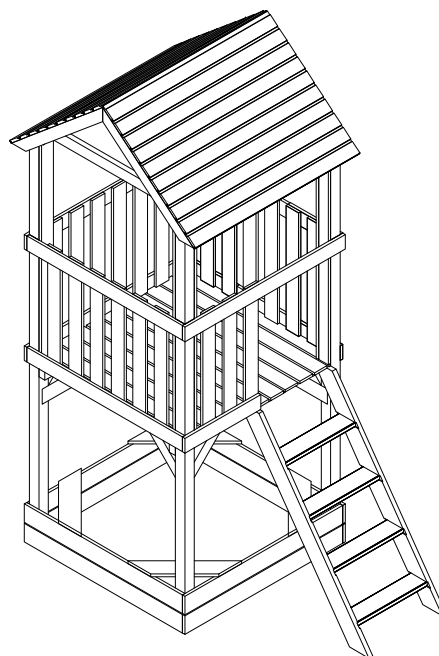
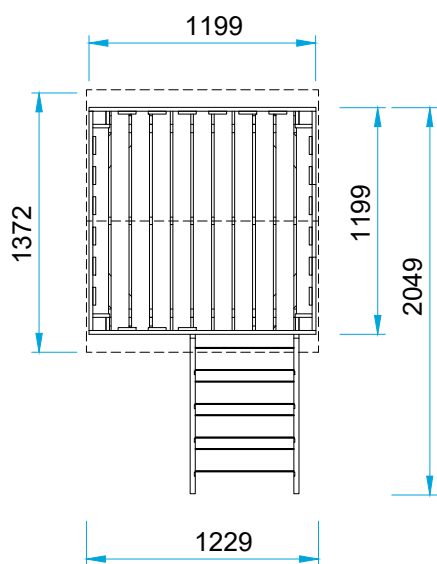
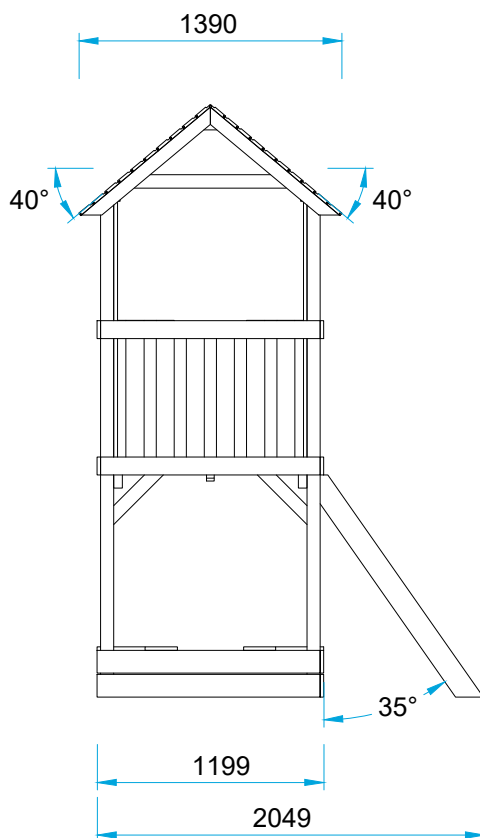
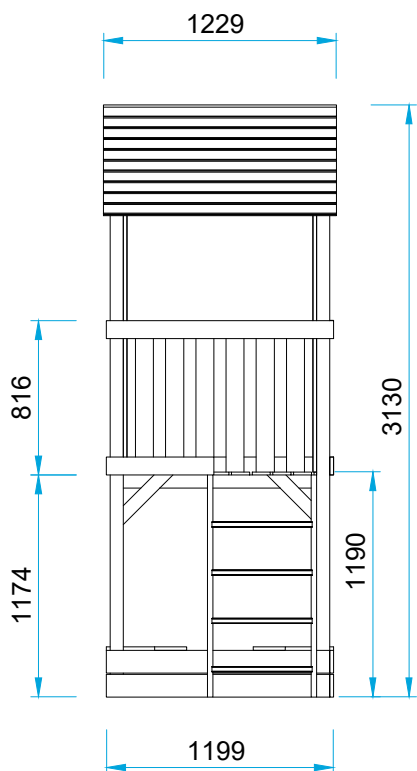
D

E

E

F

F



Object name

JESPER Tower 1,2 + Roof

Drawing

Elevations

Scale 1:40

Paper A4

Palmako
LEMEKS GROUP

AS Palmako
Näituse 25, Tartu 50409, Estonia
tel. +372 73 55 530
fax. +372 73 55 544
www.palmako.com

Drawn by 007

Date 30.08.2021

Checked by

Date

Approved by

Date

Page 1

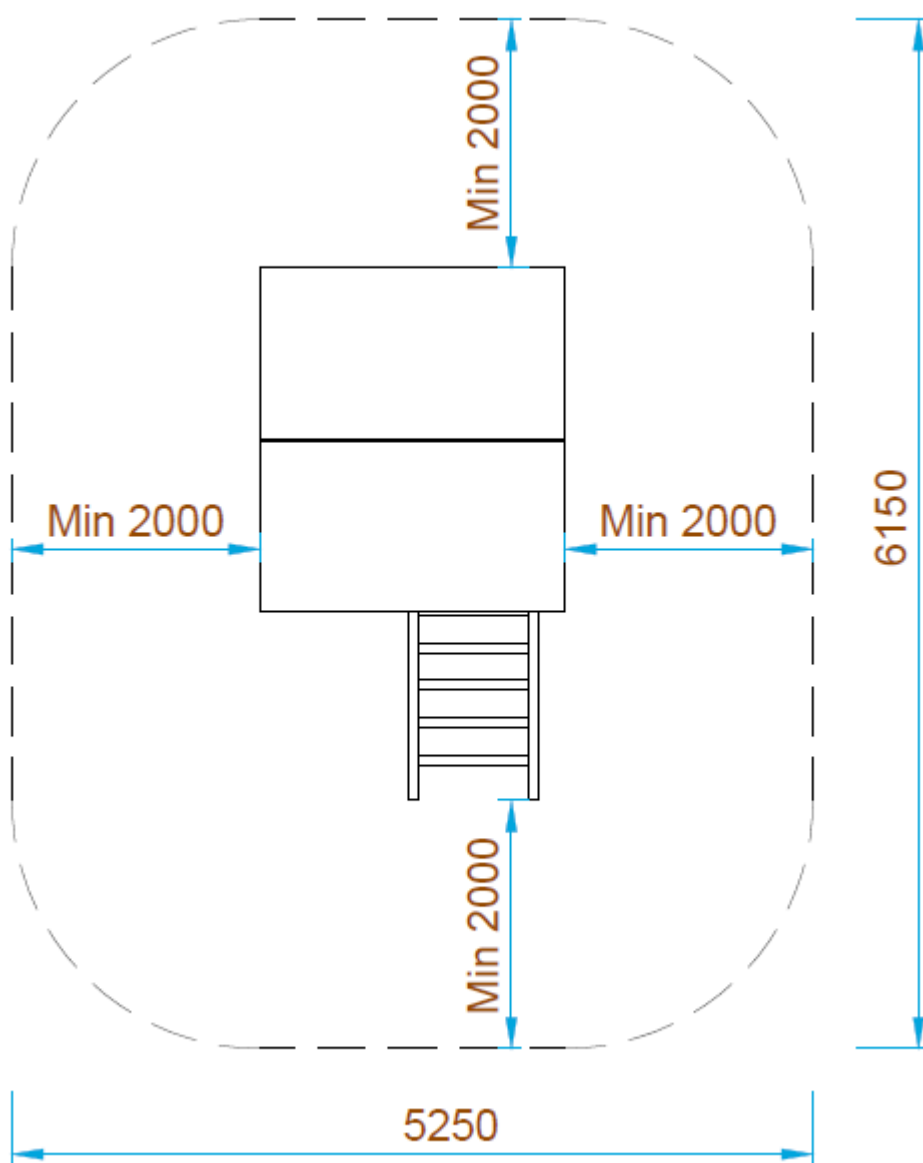
1

2

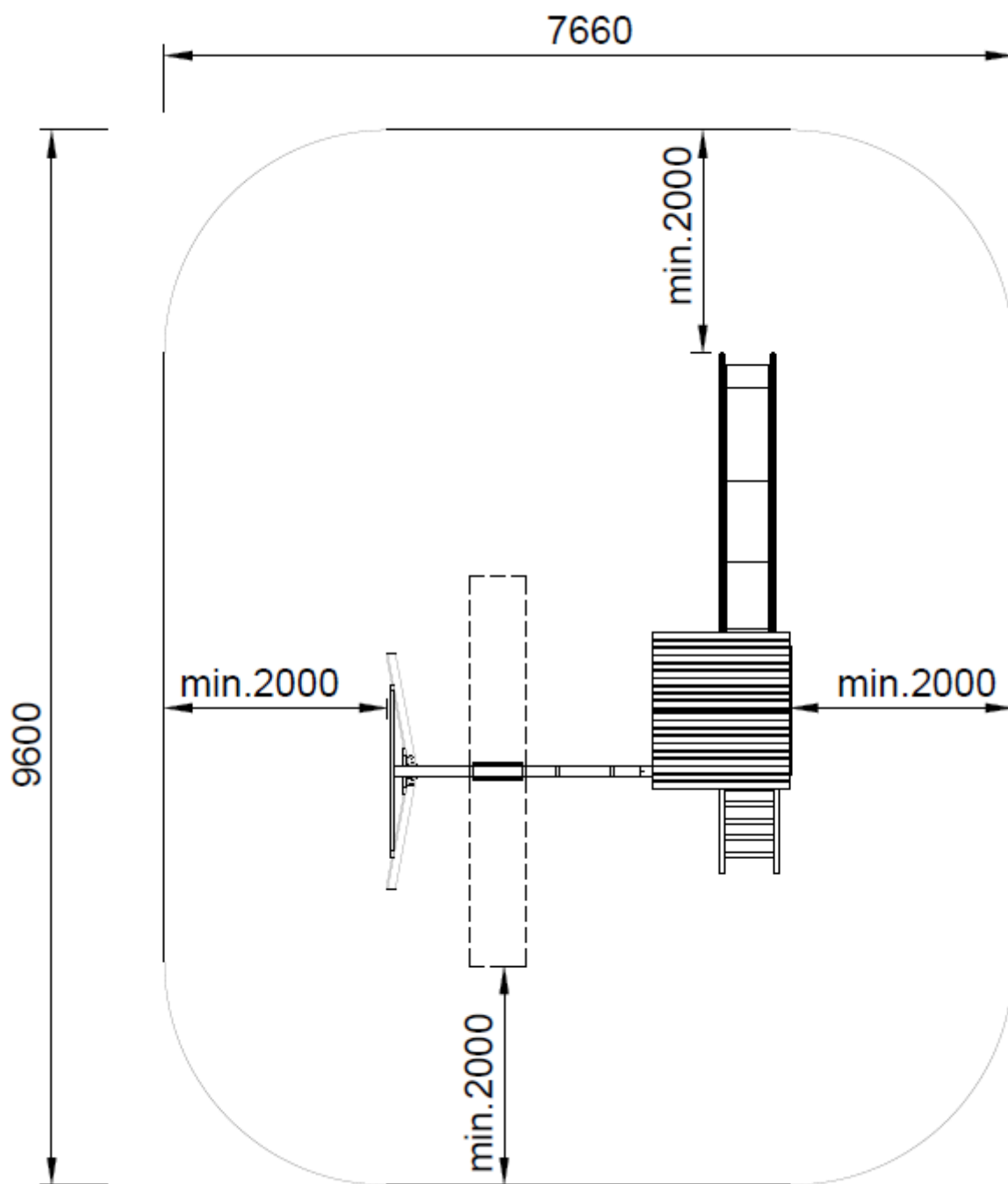
3

4

**Safety area/ Sicherheitsbereich/ Secteur de sécurité/ Área de seguridad/
Zona di sicurezza/ Sikkerhetsområde/ Säkerhetsområde/ Turva-alue/
Sikkerhedsområde/ Veiligheidsgebied/ Área de segurança/
Bezpečnostní oblast/ Strefa bezpieczeństwa/ Saugumo srityje/ Drošības zona/
Зона безопасности/ Ohutusala**

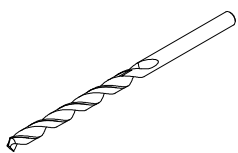


**Safety area/ Sicherheitsbereich/ Secteur de sécurité/ Área de seguridad/
Zona di sicurezza/ Sikkerhetsområde/ Säkerhetsområde/ Turva-alue/
Sikkerhedsområde/ Veiligheidsgebied/ Área de segurança/
Bezpečnostní oblast/ Strefa bezpieczeństwa/ Saugumo srityje/ Drošības zona/
Зона безопасности/ Ohutusala**



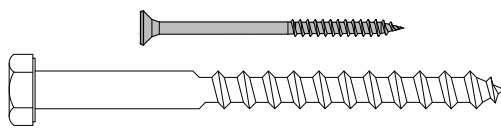
NB!

1.

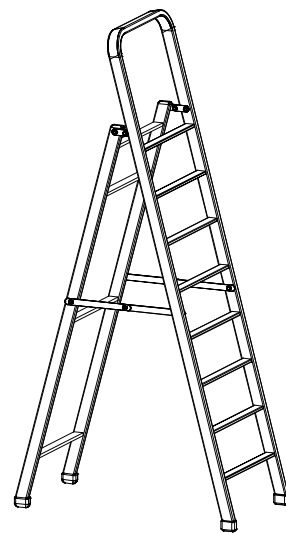
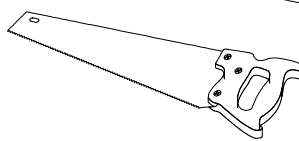
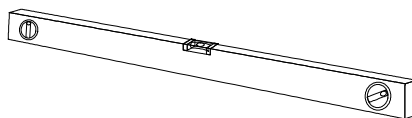
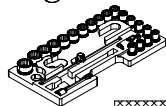
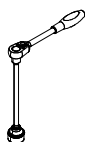
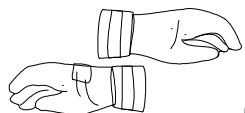
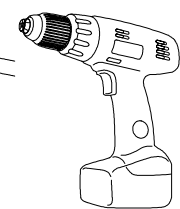
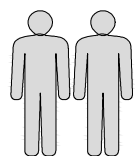
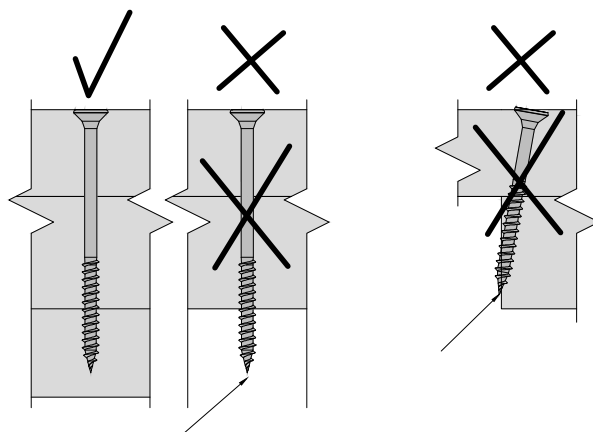
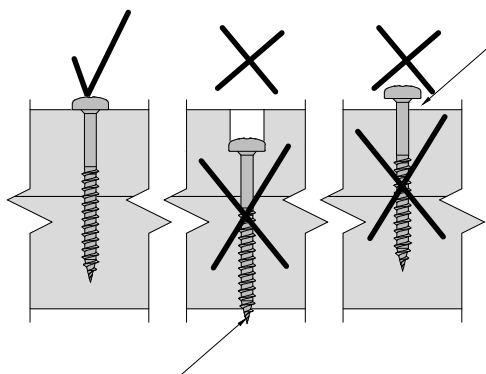
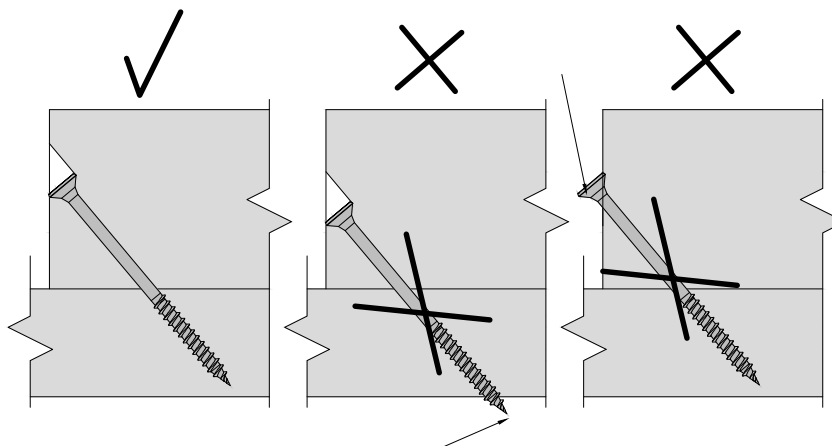
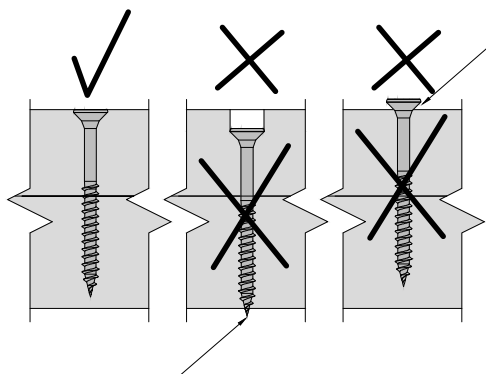


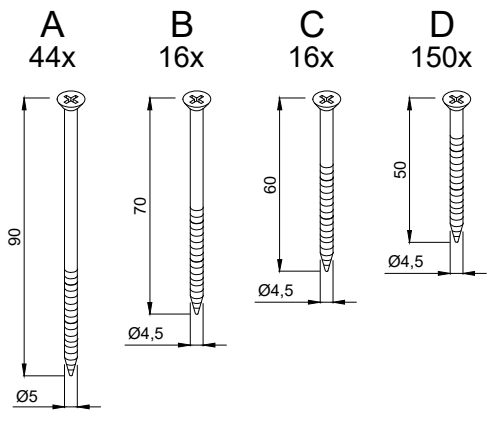
Ø2,0mm
Ø4,0mm

2.

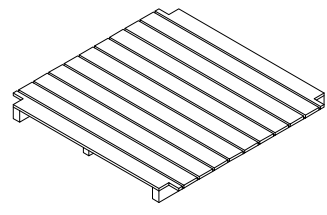


Ø3,5/Ø4,0
Ø8,0/Ø10,0

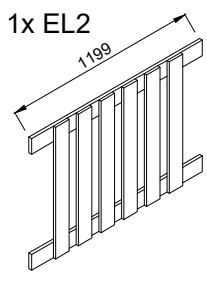




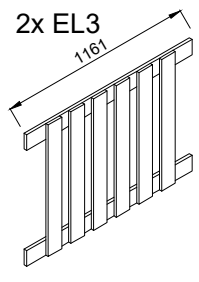
1x EL1



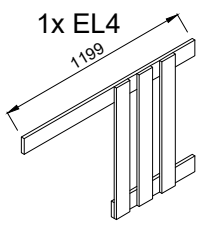
1x EL2



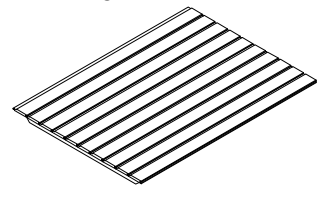
2x EL3



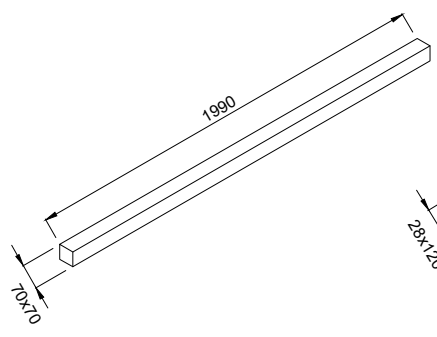
1x EL4



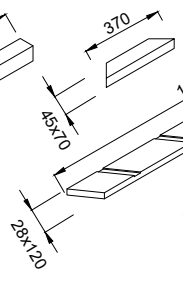
2x EL5



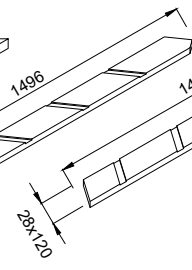
001
4x



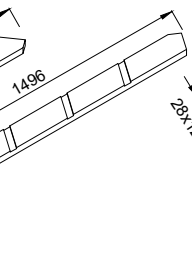
002
8x



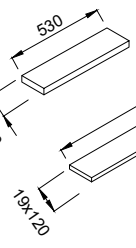
003
1x



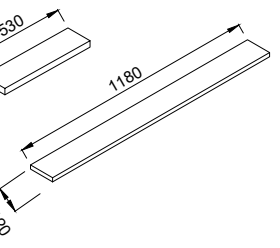
004
1x



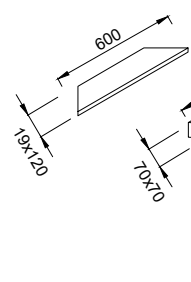
005
5x



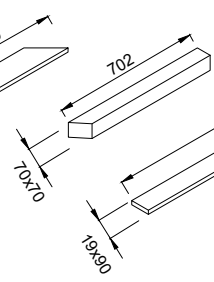
006
8x



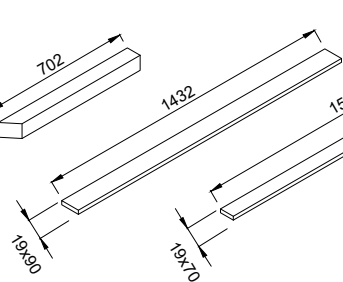
007
4x



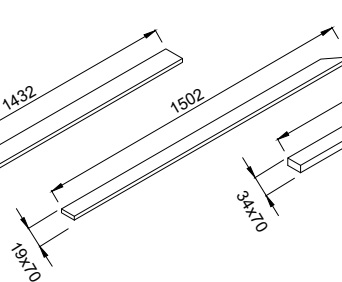
008
4x



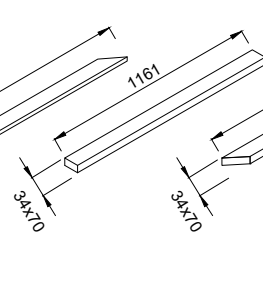
009
4x



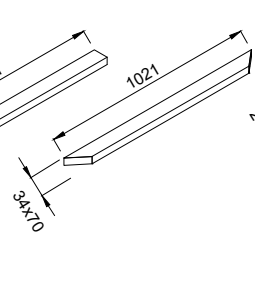
010
4x



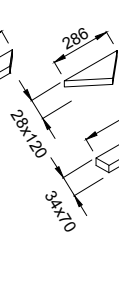
011
2x



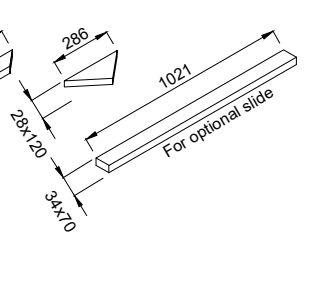
012
2x

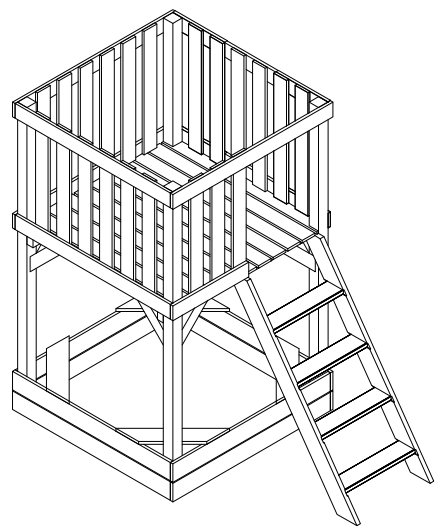
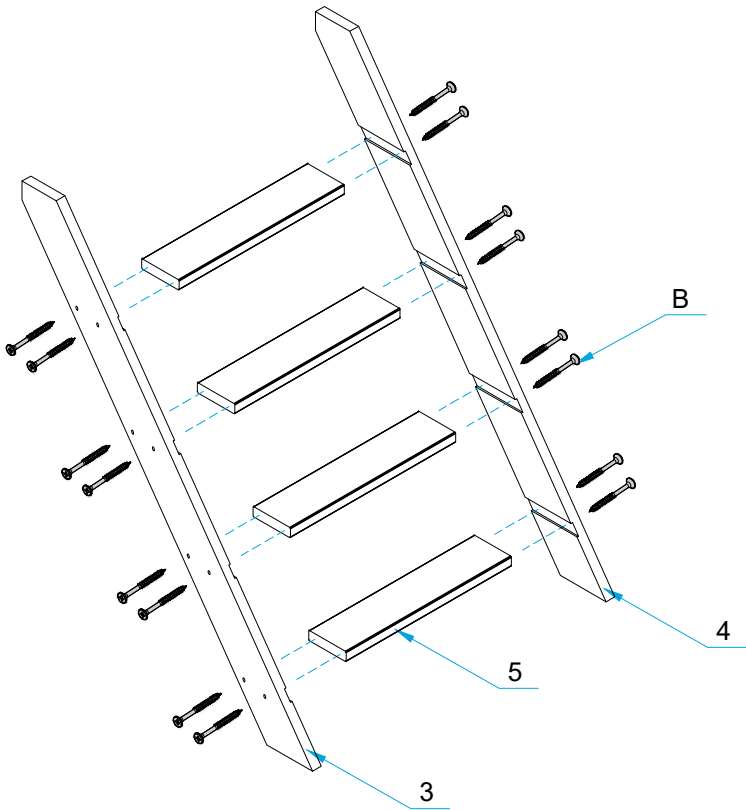
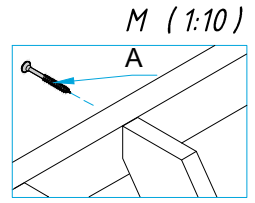
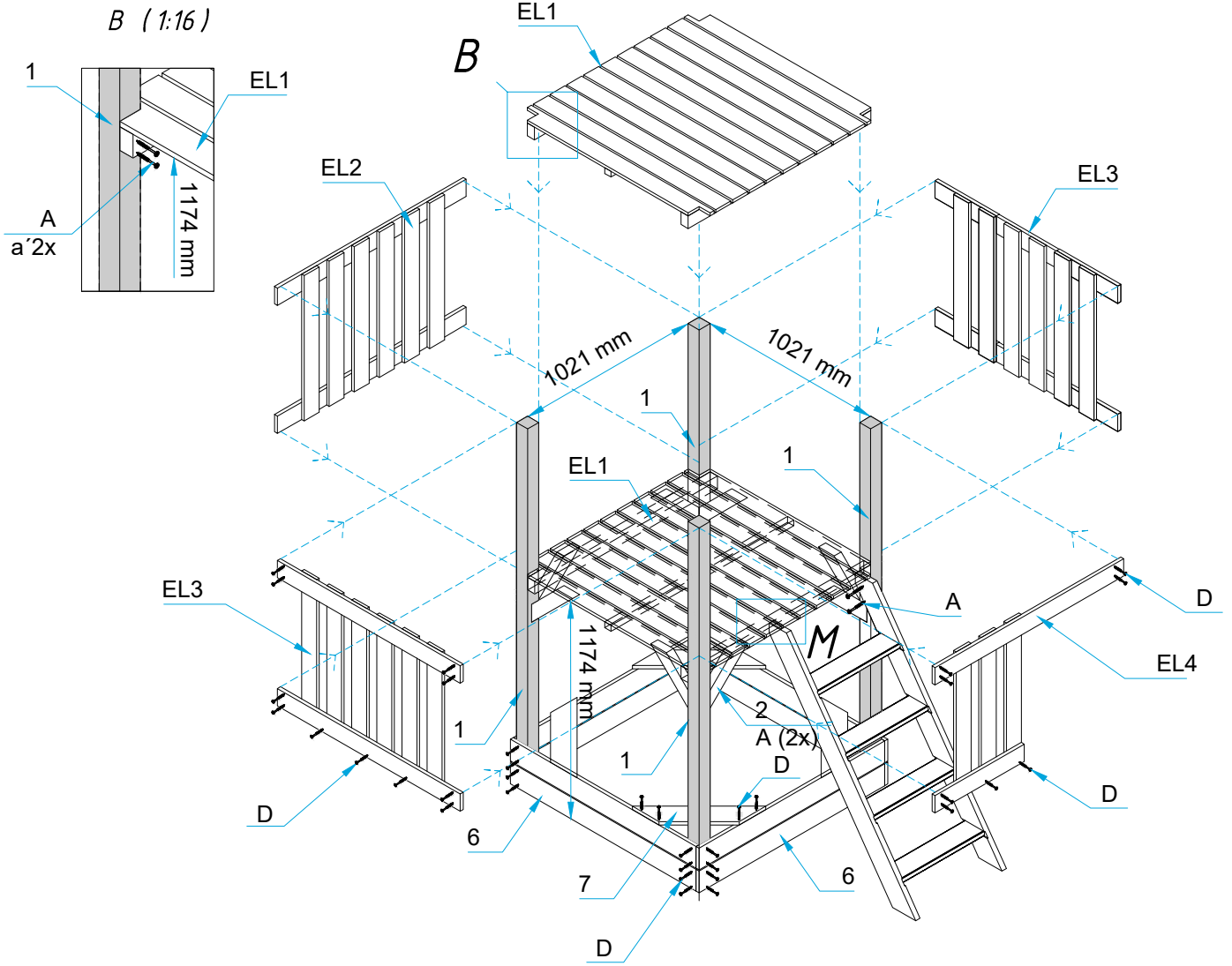


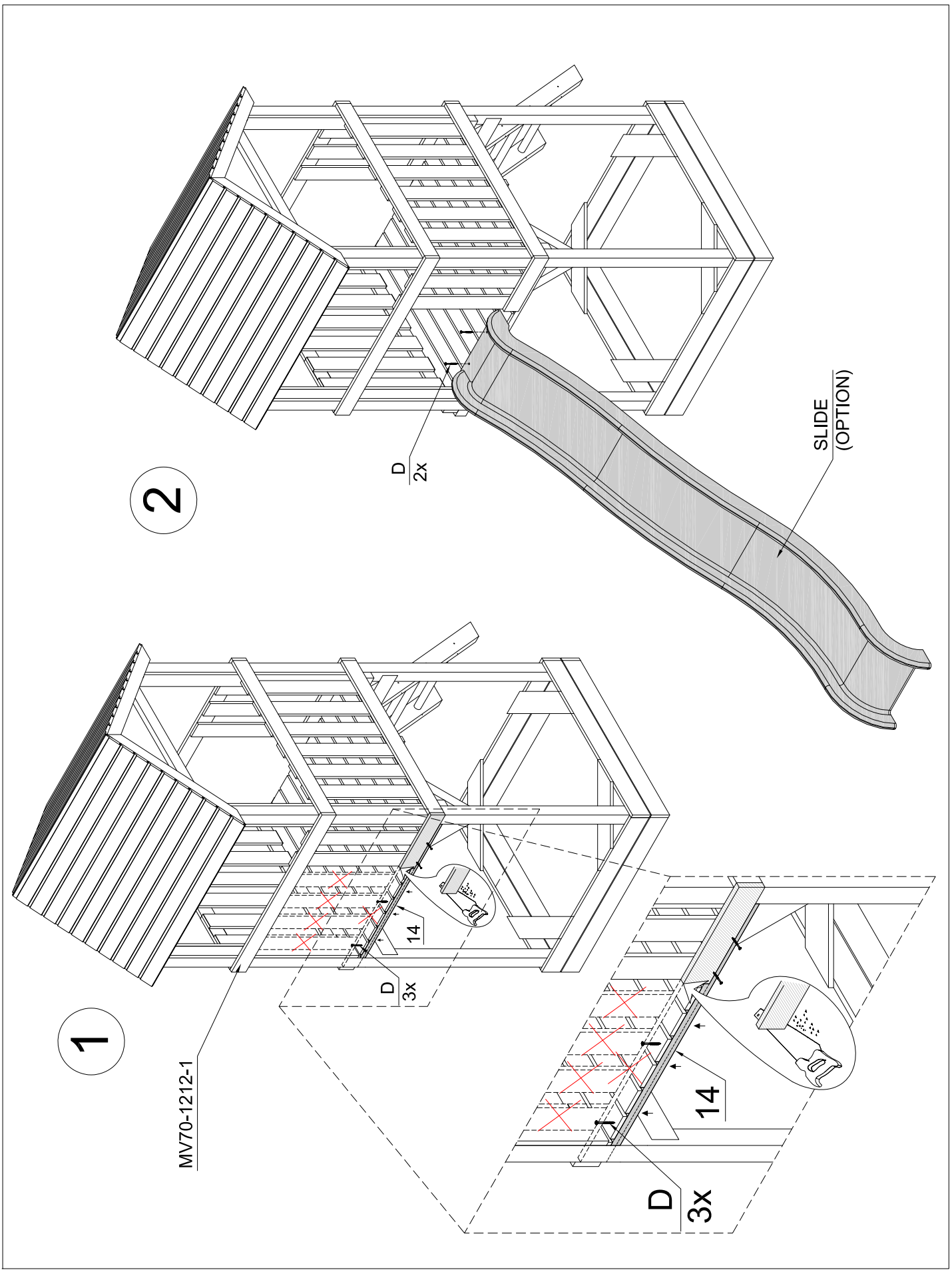
013
2x



014
1x

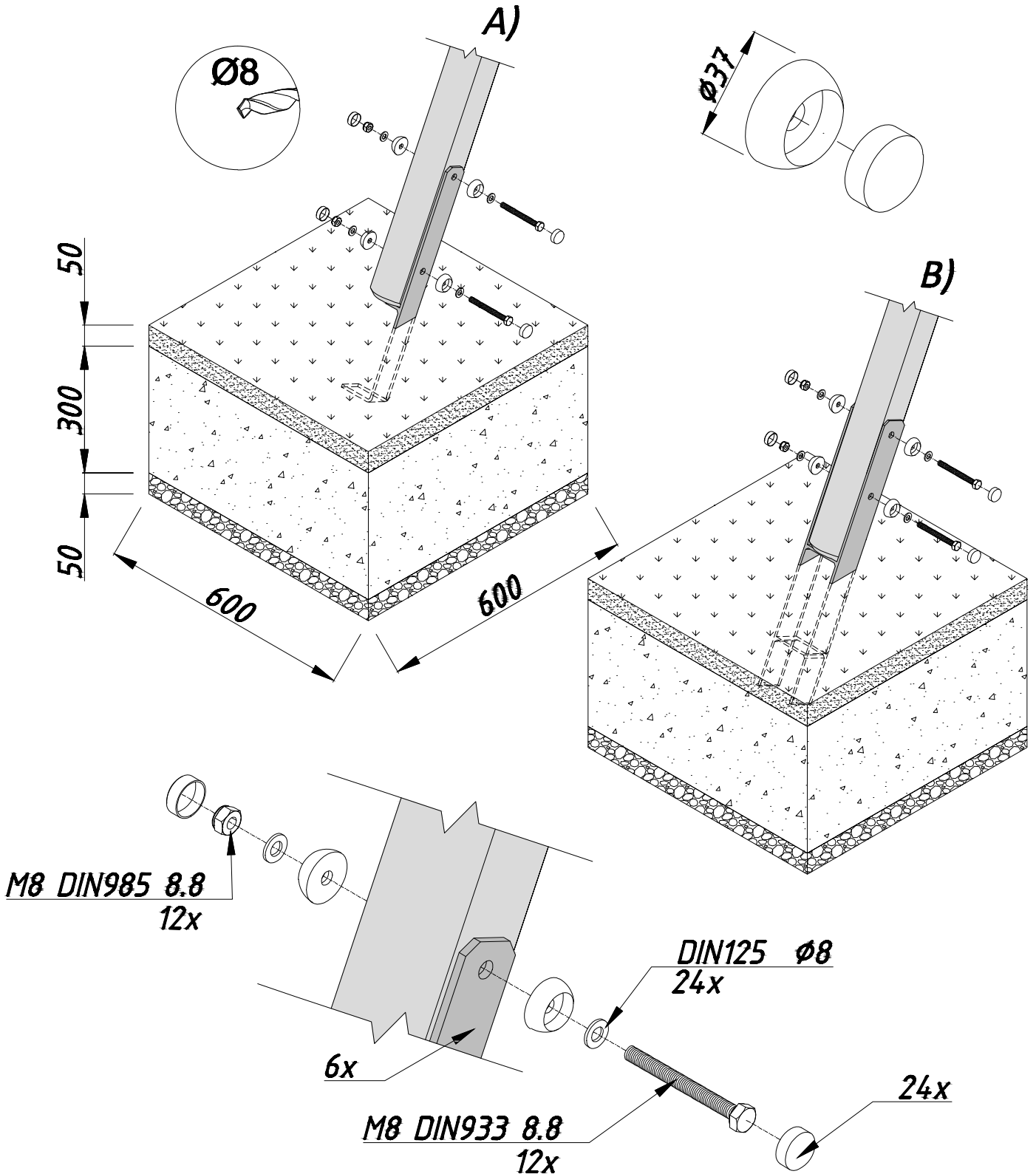






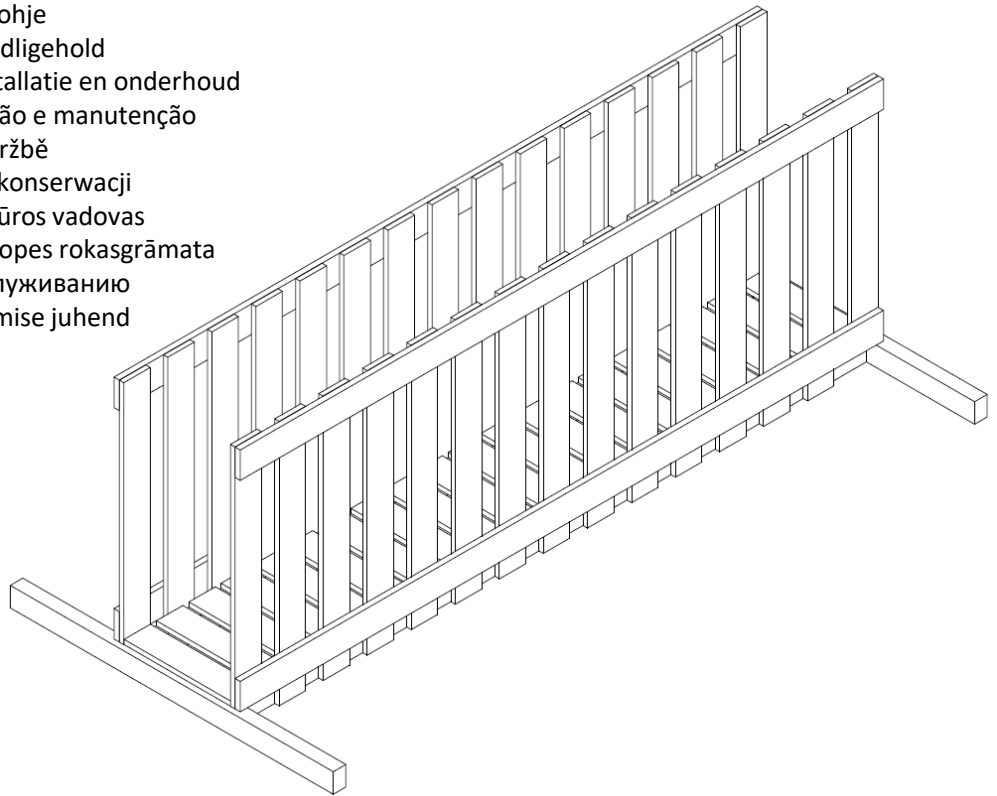
Not included in the kit
 Nicht im Set enthalten
 No incluidos en el kit
 Niet inbegrepen in de kit
 Non inclusi nel kit
 Não incluídos no kit
 Non inclus dans le kit
 Ikke inkluderet i sættet

Ei sisaldu kompletis
 Komplektā neietilpst
 Komplekte nėra
 Zestaw nie zawiera
 Důležité! Součástí hříště nejsou
 Lisāosat (tilattava erikseen)
 Följande ingår ej
 Inngår ikke i settet



Assembly, installation and maintenance manual
Montage-, Aufbau- und Wartungsanleitung
Assemblage, manuel de montage et d'entretien
Montaje, instalación, y mantenimiento
Manuale di montaggio, installazione e manutenzione
Monterings- og vedlikeholdsmanual
Monterings-, installations- och underhållsmanual
Kokoamis-, asennus- ja huolto-ohje
Vejledning for montering og vedligehold
Handleiding voor montage, installatie en onderhoud
Manual de montagem, instalação e manutenção
Návod k montáži, instalaci a údržbě
Instrukcja montażu, instalacji i konserwacji
Surinkimo, montavimo ir priežiūros vadovas
Montāžas, uzstādīšanas un apkopes rokasgrāmata
Руководство по сборке и обслуживанию
Montaaži-, paigaldus- ja säilitamise juhend
V 2.1

Palmako
LEMEKS GROUP

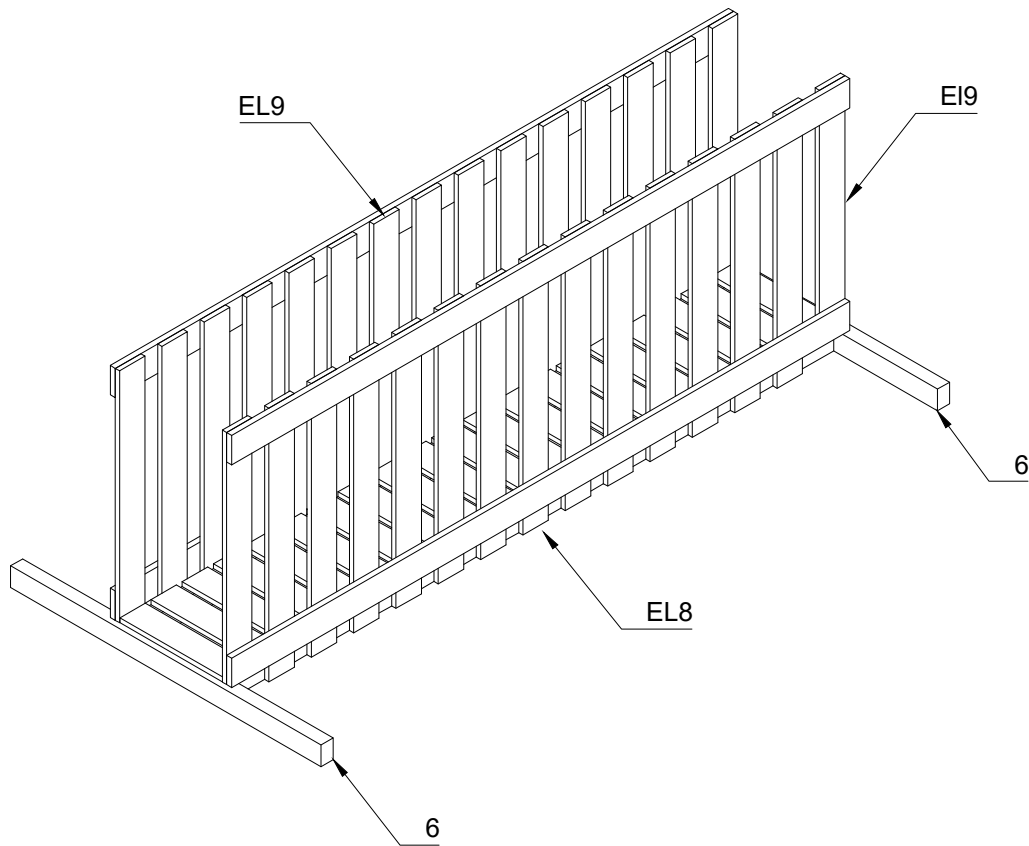
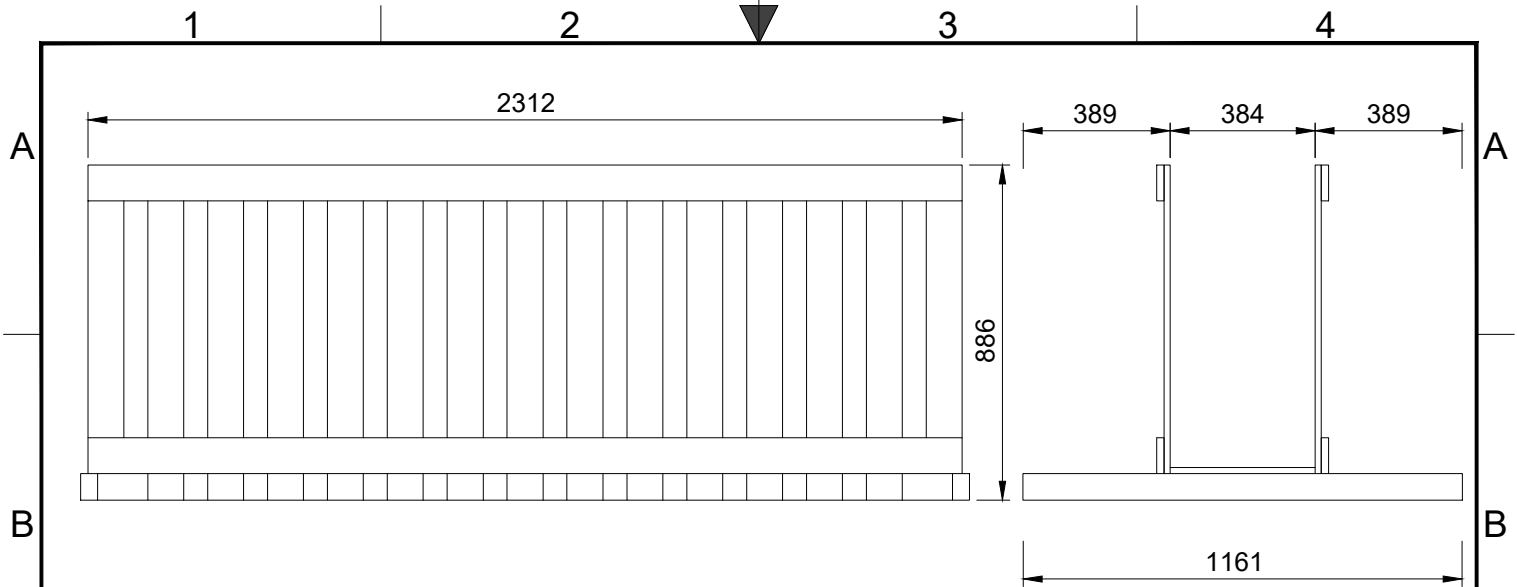


MV45-1224

Toode vastab standardile EN 71 ja Direktiivile 2009/48/EÜ.
The product complies with standard EN 71 & Directive 2009/48/EC.
Der Artikel erfüllt die Normen EN 71 & Richtlinie 2009/48/EG.
Le produit répond aux normes suivantes EN 71 & Directive 2009/48/CE.
Il prodotto rispetta le norme comunitarie EN 71 e Direttiva 2009/48/CE.
Изделие соответствует стандартам EN 71 и Директива 2009/48/EC.
Produkts atbilst standartiem EN 71 un Direktīva 2009/48/EK.
Gaminys atitinka standarto EN 71 ir Direktyvos 2009/48/EB.
Tuote on sertifioitu standardin EN 71 & Direktiivi 2009/48/EY mukaan.
Este producto cumple con la norma EN 71 y la Directiva 2009/48/CE.
Dit product voldoet aan standaard EN 71 en richtlijn 2009/48/EC.
O produto está em conformidade com a norma EN 71 e Diretiva 2009/48/CE.
Produktet overholder standarden EN 71 og direktiv 2009/48/EF.
Produkt zgodny z normą bezpieczeństwa EN 71 i wymogami dyrektywy 2009/48/WE.
Tento výrobek je v souladu s normou EN 71 a směrnici 2009/48/ES.
Produkten uppfyller standard EN 71 och direktiv 2009/48/EG.
Lekestativet er produsert etter følgendestandard og direktiv: EN 71; 2009/48/EU

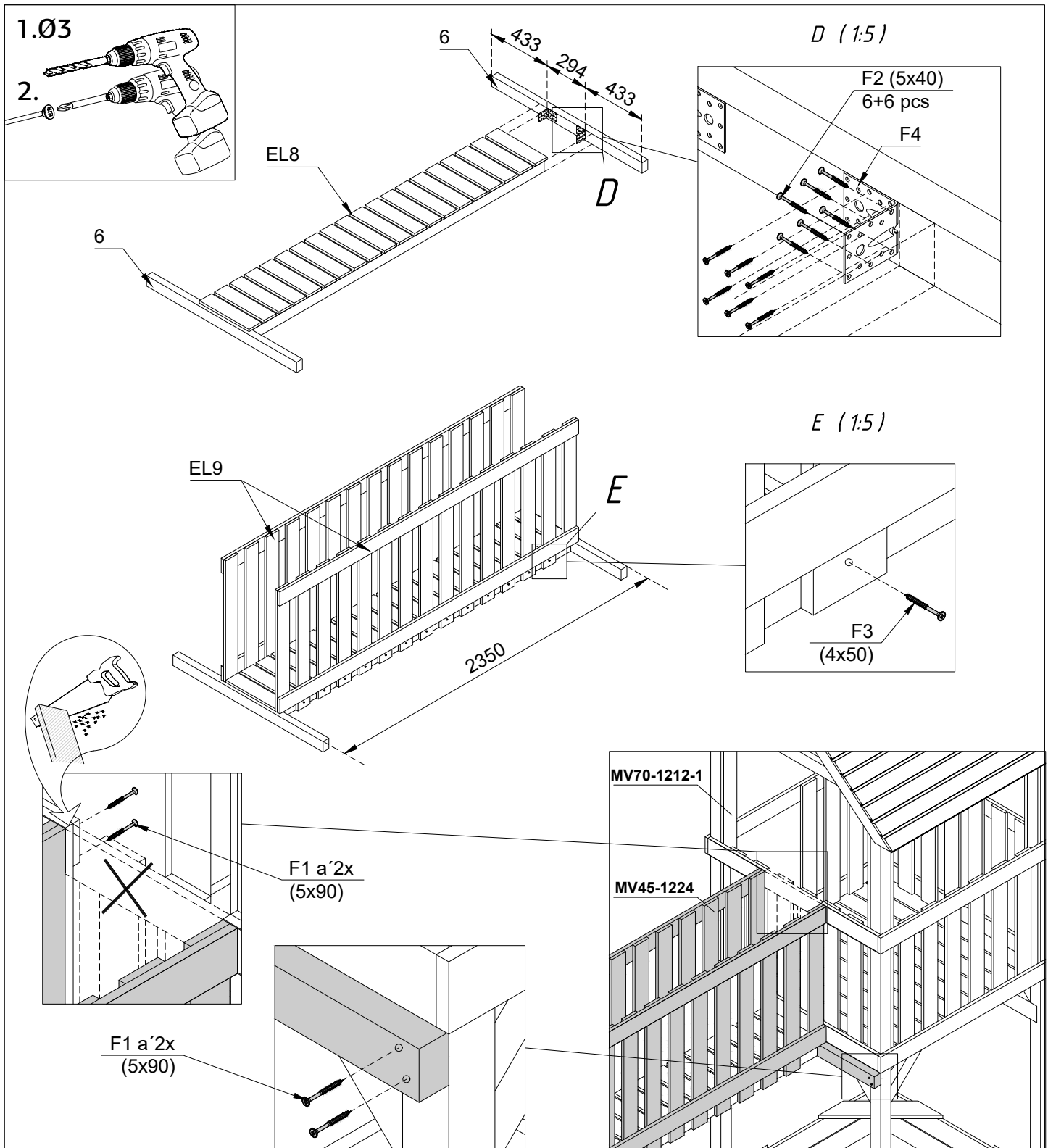
Produced by:
PALMAKO AS
Näituse 25,
Tartu
50409 Estonia



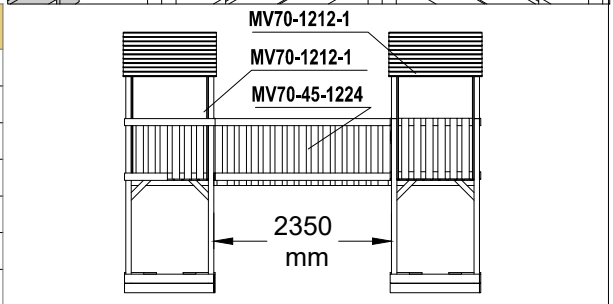


Pos nr	Nimetus	Mõõtmed (mm)	Info	Kogus
EL8	Silla põrand	86 x 384 x 2310		1
EL9	Silla piire	35 x 886 x 2312		2
6	Silla otsatala	45 x 70 x 1161		2
F1	Kruvi C4	Ø5 x 90	QKRPP5x90RVTx Otsatala torni külge 8, piire torni piirde külge 16	24
F2	Kruvi C4	Ø5x40	QKRYP5x40RVTX Nurgikutele a´12 tk	48
F3	Kruvi C4	Ø4.5x50	QKRPP4_5x50RVTx Piire põranda külge a´1 tk	26
F4	Nurgik	70 x 70 x 55	QNU70x70x55Zn Sild otsatala külge	4

Object name JESPER		Drawing SPETS SILD		Scale 1:30
Palmako LEMEKS GROUP AS Palmako Näituse 25, Tartu 50409, Estonia tel. +372 73 55 530 fax. +372 73 55 544 www.palmako.com		Drawn by 007	Date 18.12.2020	Paper A4
		Checked by	Date	
		Approved by	Date	Page 1

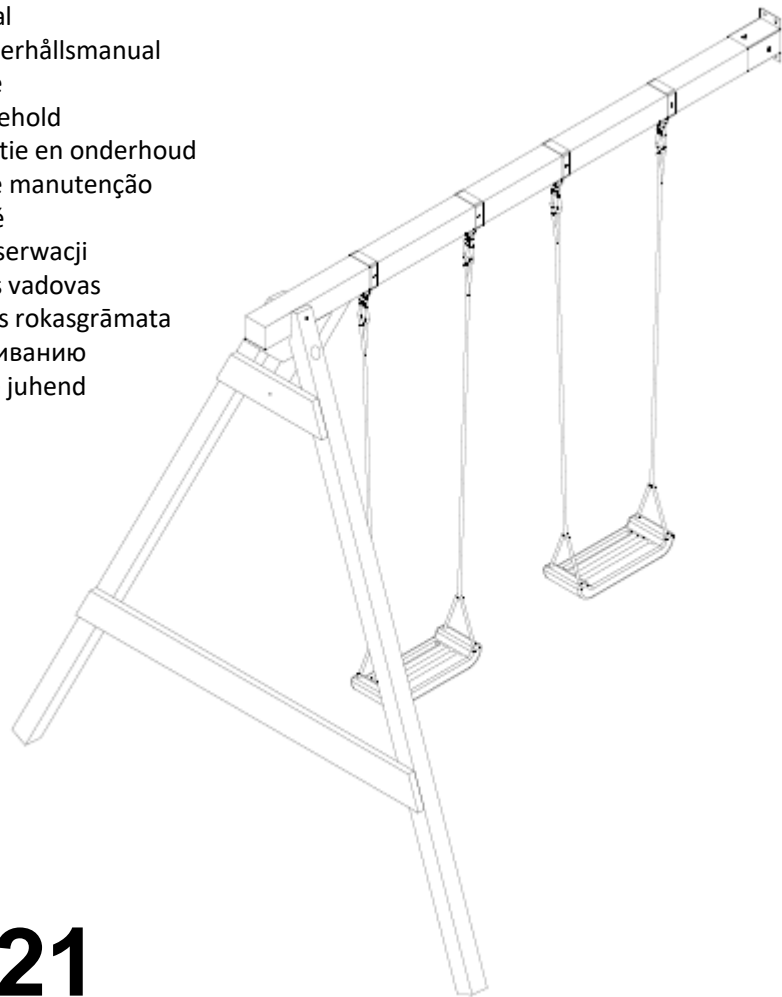


Pos nr	Name	Measures (mm)	Info	Pcs
EL8	Floor	86 x 384 x 2310		1
EL9	Rail	35 x 886 x 2312		2
6	End beam	45 x 70 x 1161		2
F1	Screw C4	Ø5 x 90	QKRPP5x90RVTx	24
F2	Screw C4	Ø5x40	QKRYP5x40RVTX	48
F3	Screw C4	Ø4.5x50	QKRPP4_5x50RVTx	26
F4	L-iron	70 x 70 x 55	QNU70x70x55Zn	4



Assembly, installation and maintenance manual
Montage-, Aufbau- und Wartungsanleitung
Assemblage, manuel de montage et d'entretien
Montaje, instalación, y mantenimiento
Manuale di montaggio, installazione e manutenzione
Monterings- og vedlikeholdsmanual
Monterings-, installations- och underhållsmanual
Kokoamis-, asennus- ja huolto-ohje
Vejledning for montering og vedligehold
Handleiding voor montage, installatie en onderhoud
Manual de montagem, instalação e manutenção
Návod k montáži, instalaci a údržbě
Instrukcja montażu, instalacji i konserwacji
Surinkimo, montavimo ir priežiūros vadovas
Montāžas, uzstādīšanas un apkopes rokasgrāmata
Руководство по сборке и обслуживанию
Montaaži-, paigaldus- ja säilitamise juhend
V 2.1

Palmako
LEMEKS GROUP



MV70-2421

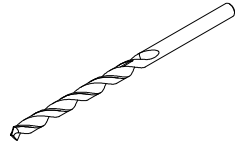
Toode vastab standardile EN 71 ja Direktiivile 2009/48/EÜ.
The product complies with standard EN 71 & Directive 2009/48/EC.
Der Artikel erfüllt die Normen EN 71 & Richtlinie 2009/48/EG.
Le produit répond aux normes suivantes EN 71 & Directive 2009/48/CE.
Il prodotto rispetta le norme comunitarie EN 71 e Direttiva 2009/48/CE.
Изделие соответствует стандартам EN 71 и Директива 2009/48/EC.
Produkts atbilst standartiem EN 71 un Direktīva 2009/48/EK.
Gaminys atitinka standarto EN 71 ir Direktyvos 2009/48/EB.
Tuote on sertifioitu standardin EN 71 & Direktiivi 2009/48/EY mukaan.
Este producto cumple con la norma EN 71 y la Directiva 2009/48/CE.
Dit product voldoet aan standaard EN 71 en richtlijn 2009/48/EC.
O produto está em conformidade com a norma EN 71 e Diretiva 2009/48/CE.
Produktet overholder standarden EN 71 og direktiv 2009/48/EF.
Produkt zgodny z normą bezpieczeństwa EN 71 i wymogami dyrektywy 2009/48/WE.
Tento výrobek je v souladu s normou EN 71 a směrnici 2009/48/ES.
Produkten uppfyller standard EN 71 och direktiv 2009/48/EG.
Lekestativet er produsert etter følgendestandard og direktiv: EN 71; 2009/48/EU

Produced by:
PALMAKO AS
Näituse 25,
Tartu
50409 Estonia



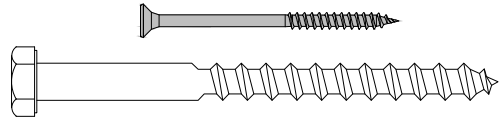
NB!

1.

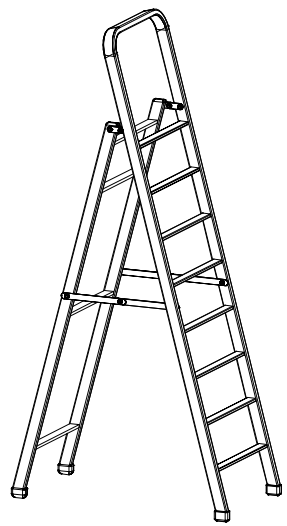
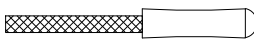
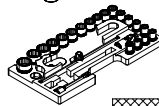
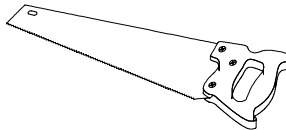
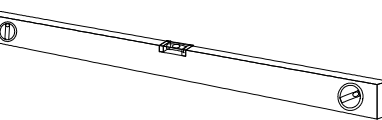
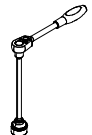
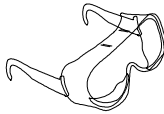
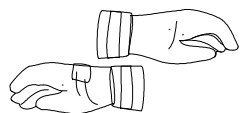
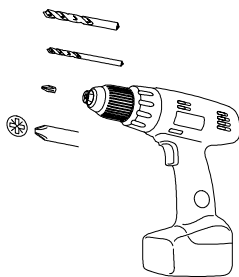
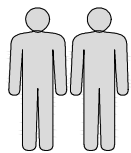
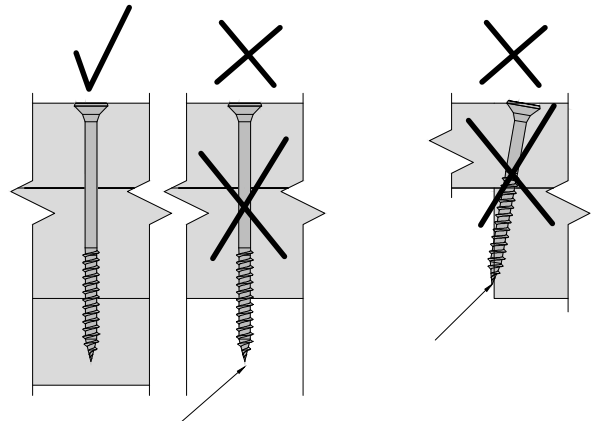
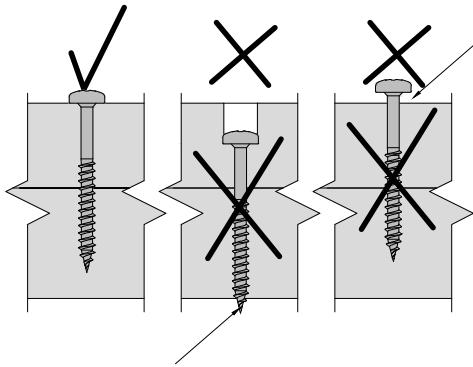
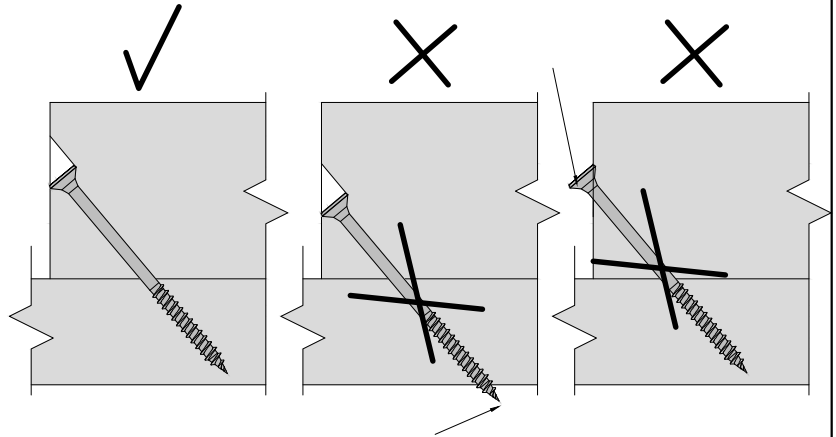
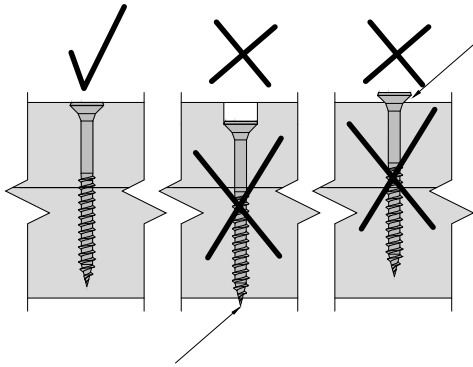


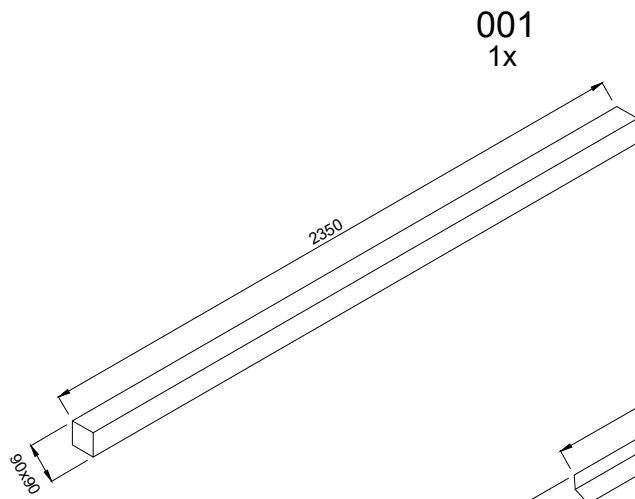
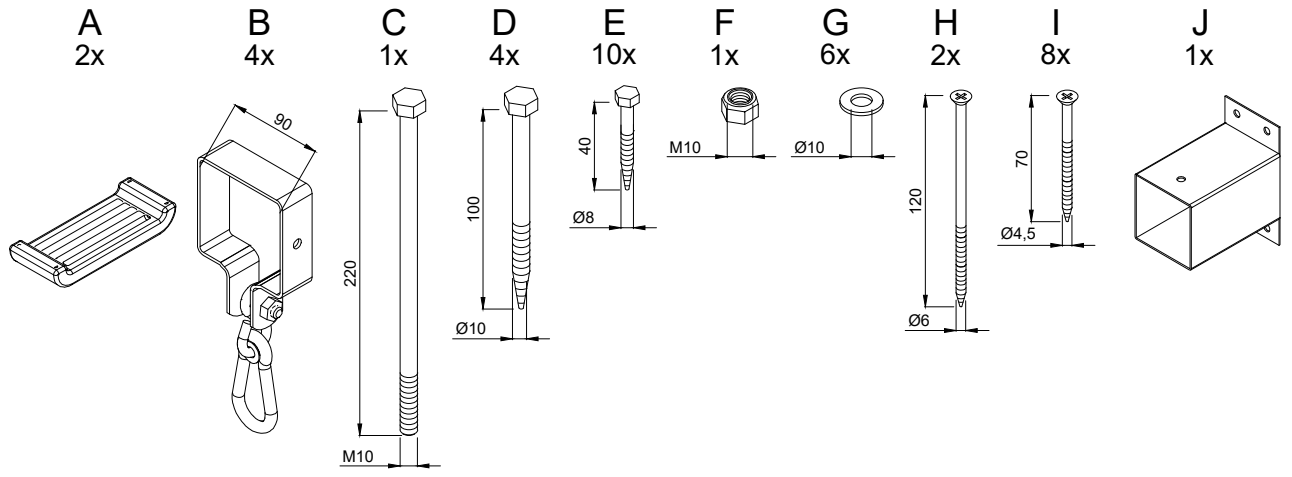
Ø2,0mm
Ø4,0mm

2.

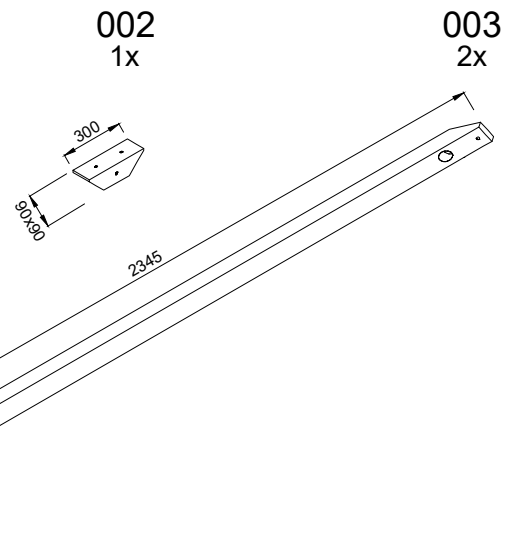


Ø3,5/Ø4,0
Ø8,0/Ø10,0



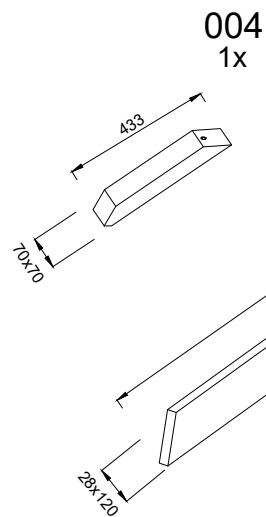


001
1x

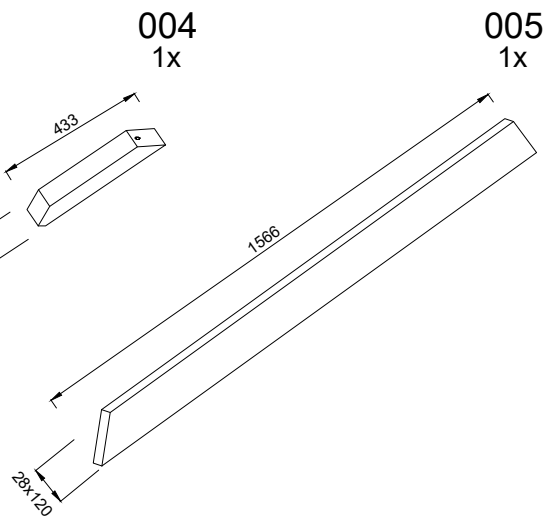


002
1x

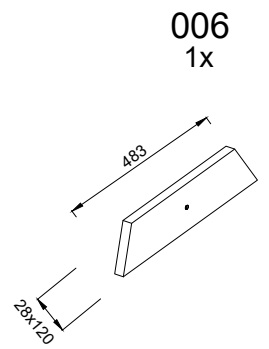
003
2x



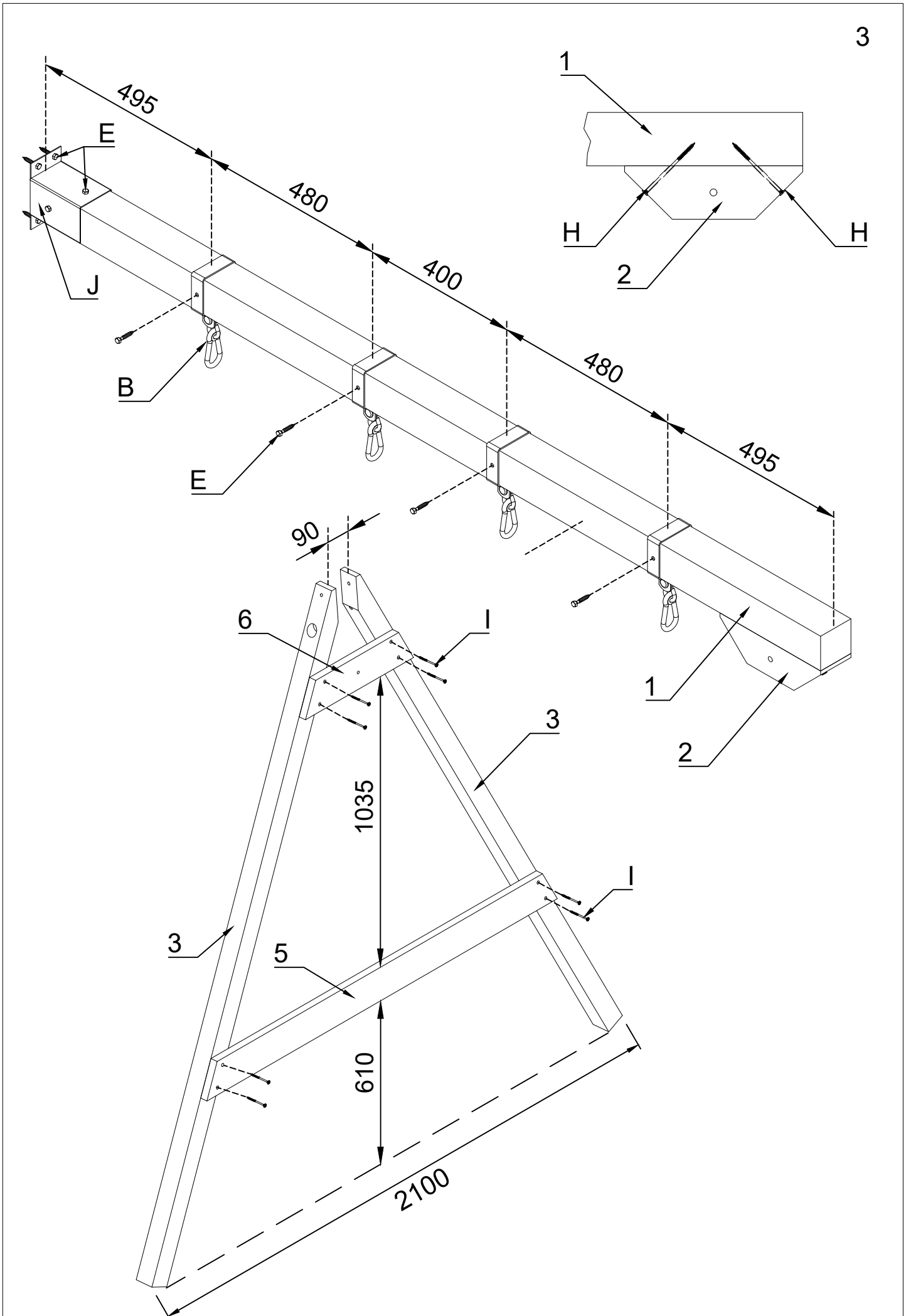
004
1x

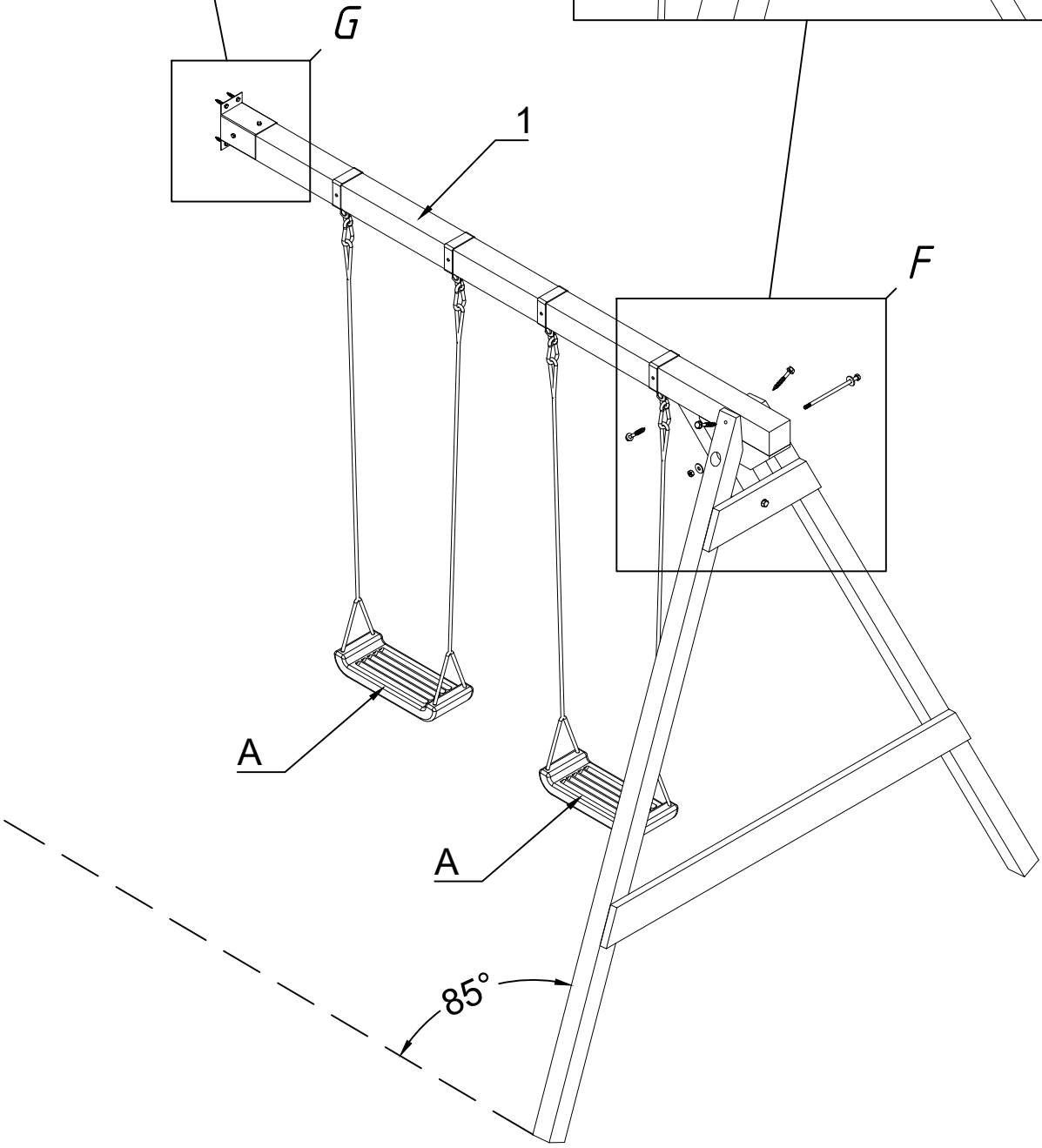
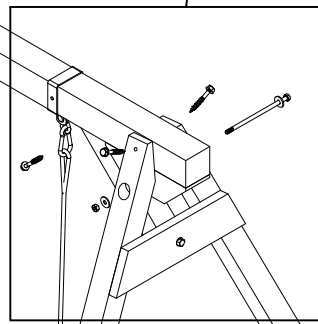
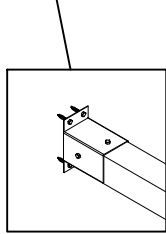
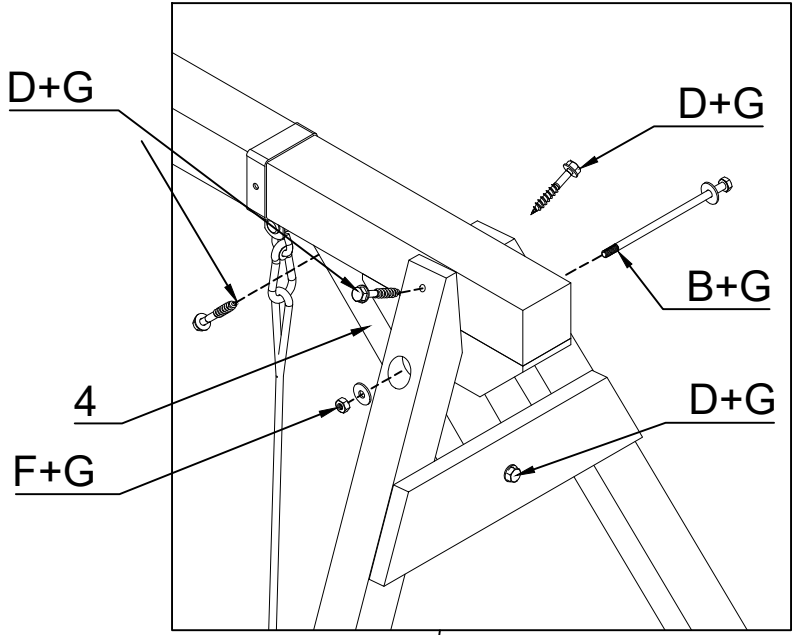
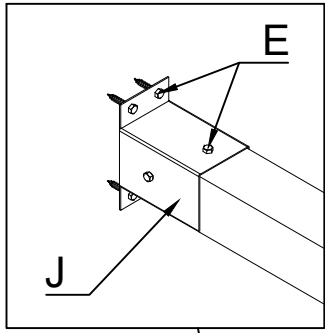


005
1x



006
1x

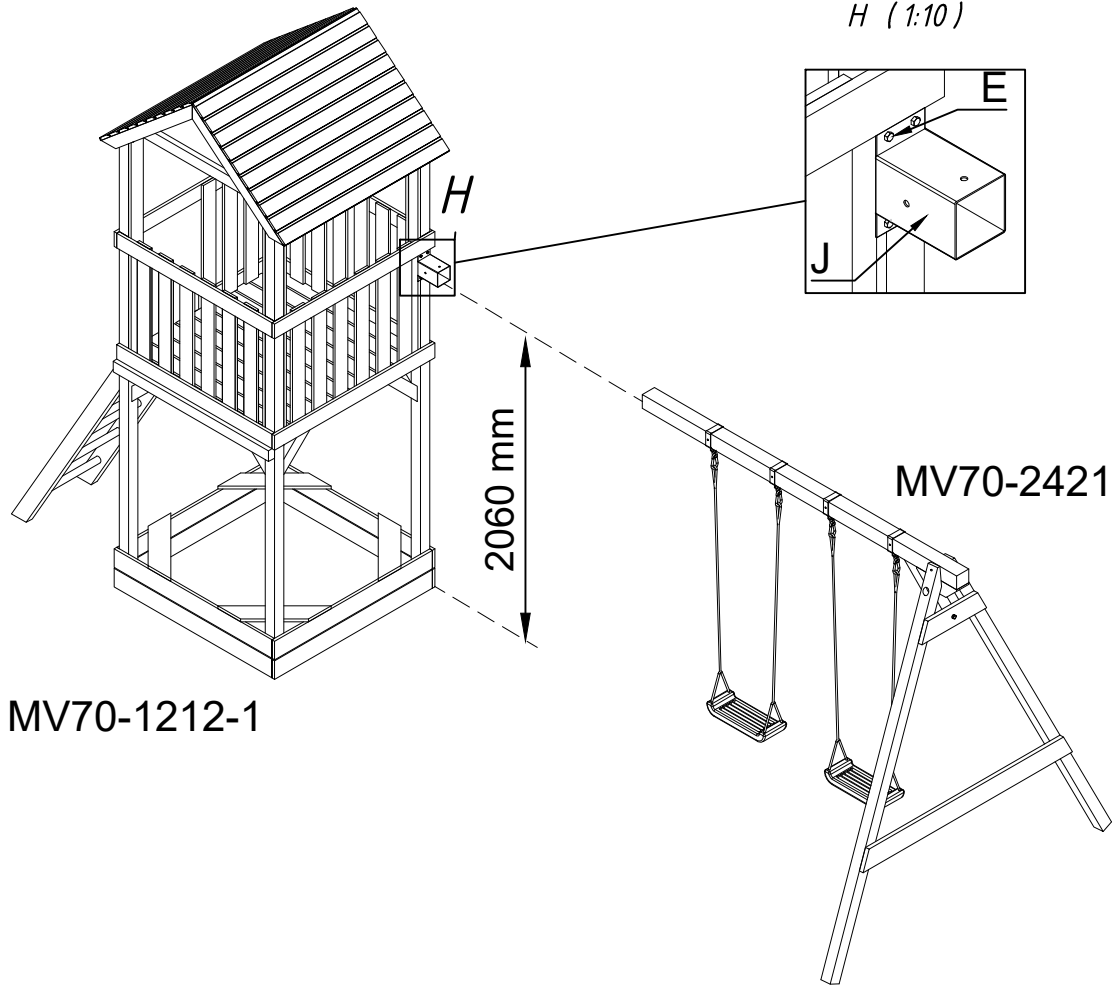




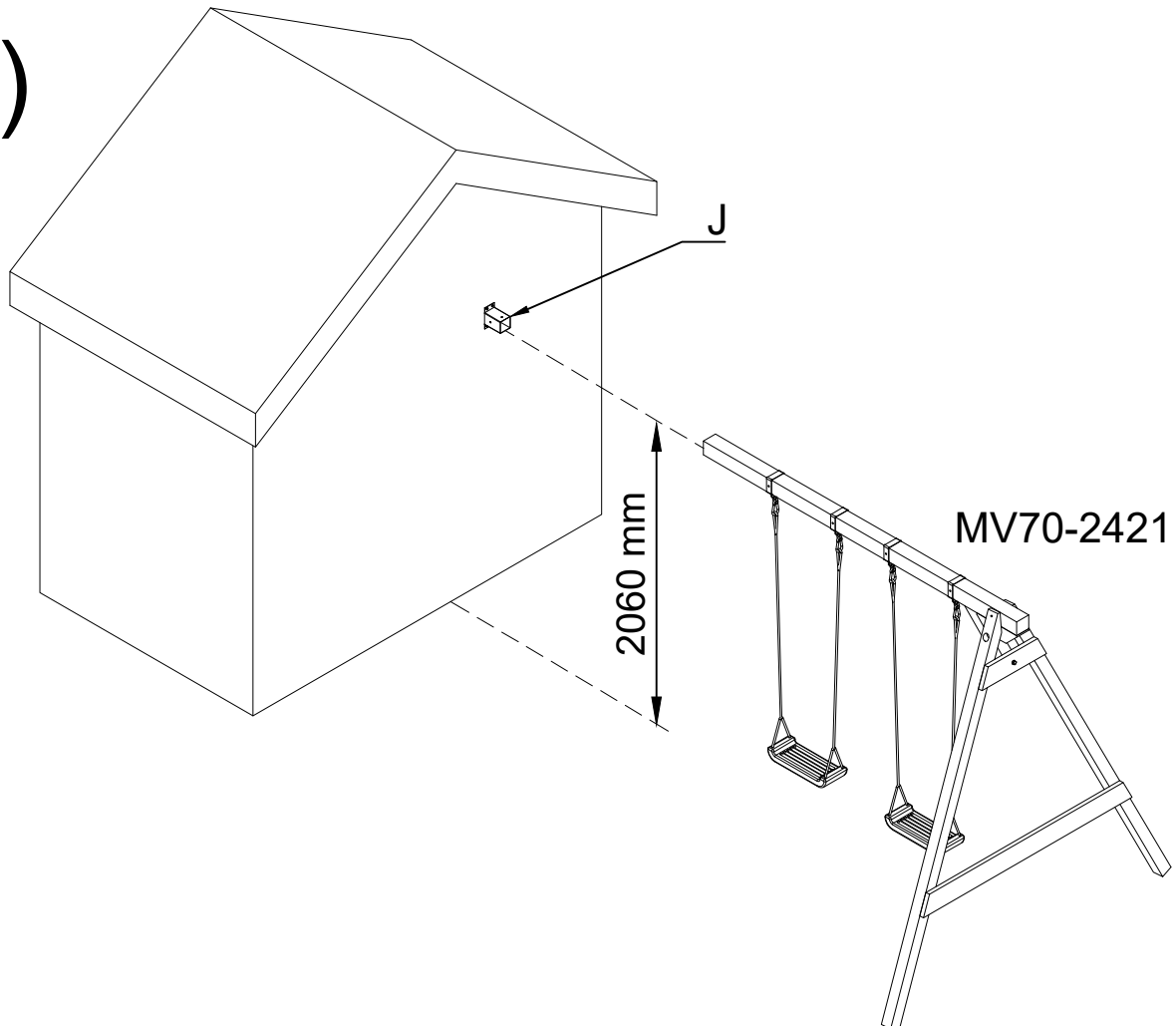
a)

H (1:10)

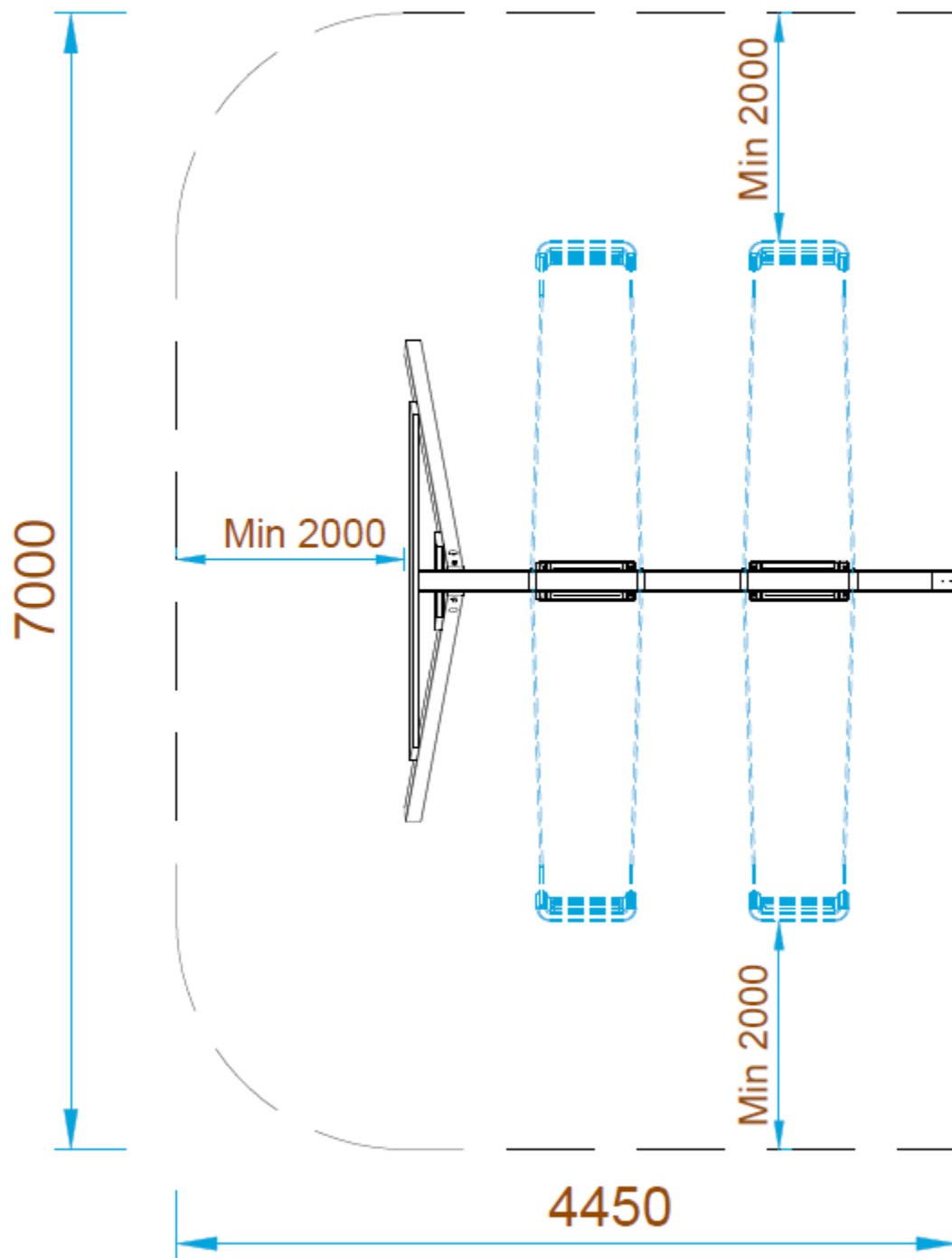
5



b)

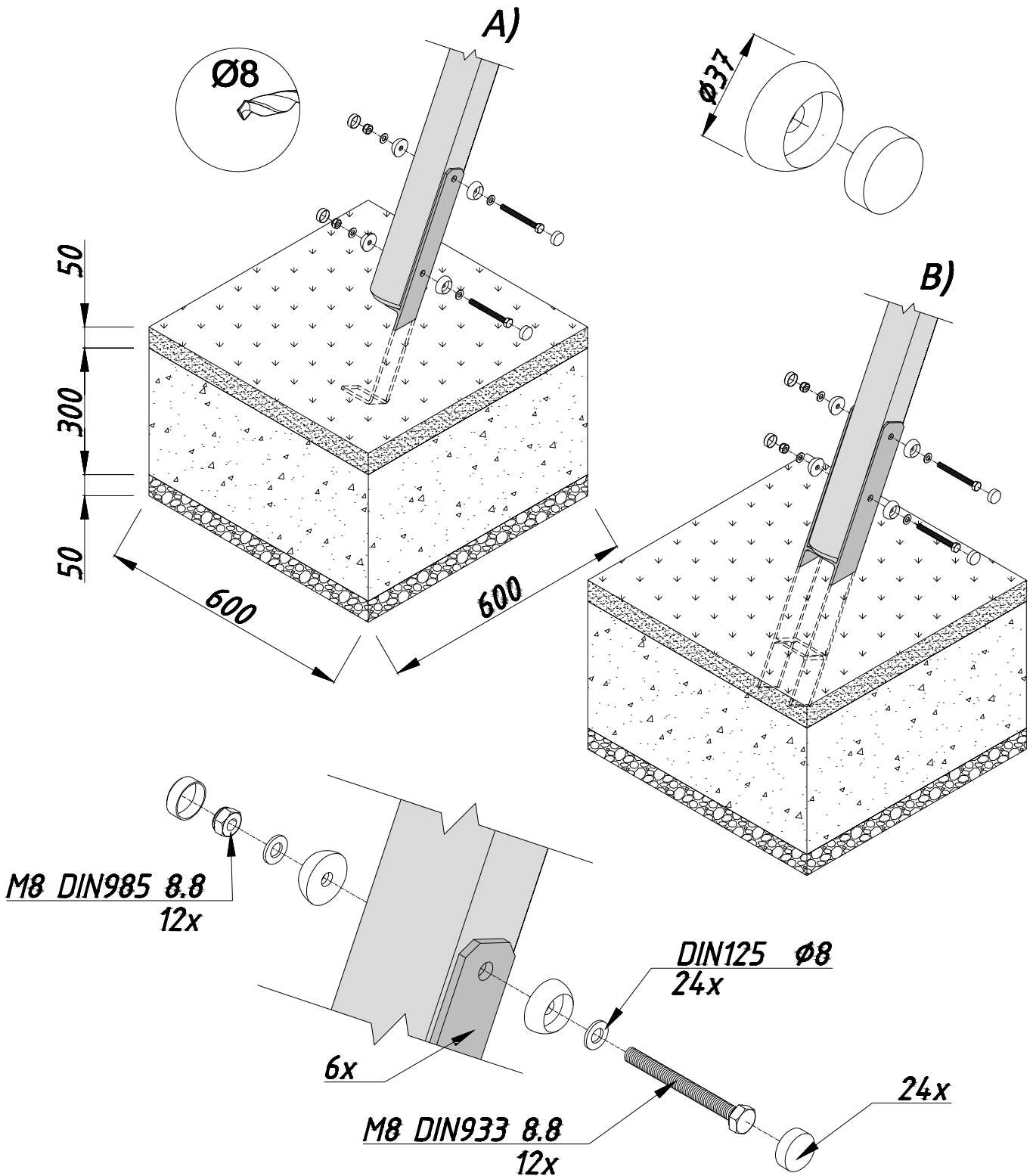


Safety area/ Sicherheitsbereich/ Secteur de sécurité/ Área de seguridad/
Zona di sicurezza/ Sikkerhetsområde/ Säkerhetsområde/ Turva-alue/
Sikkerhedsområde/ Veiligheidsgebied/ Área de segurança/
Bezpečnostní oblast/ Strefa bezpieczeństwa/ Saugumo srityje/ Drošības zona/
Зона безопасности/ Ohutusala



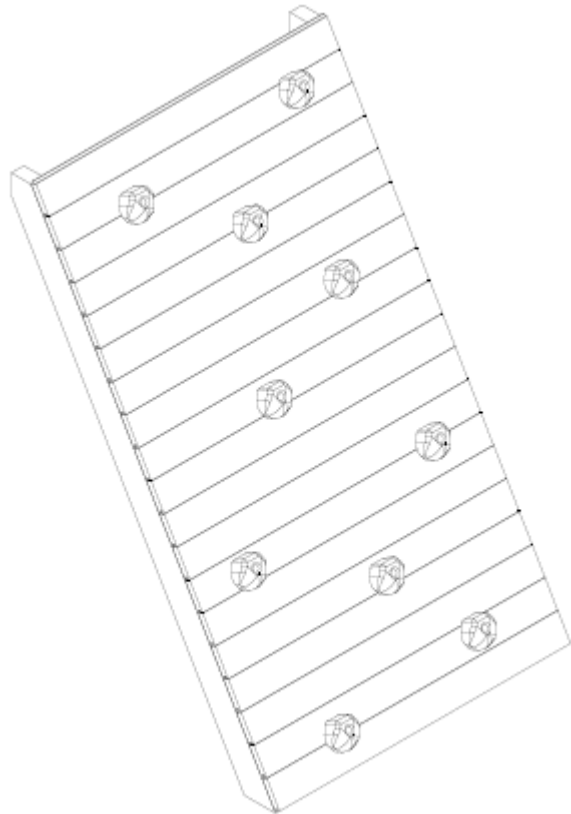
Not included in the kit
 Nicht im Set enthalten
 No incluidos en el kit
 Niet inbegrepen in de kit
 Non inclusi nel kit
 Não incluídos no kit
 Non inclus dans le kit
 Ikke inkluderet i sættet

Ei sisaldu kompletis
 Komplektā neietilpst
 Komplekte nėra
 Zestaw nie zawiera
 Důležité! Součástí hřiště nejsou
 Lisāosat (tilattava erikseen)
 Följande ingår ej
 Inngår ikke i settet



Assembly, installation and maintenance manual
Montage-, Aufbau- und Wartungsanleitung
Assemblage, manuel de montage et d'entretien
Montaje, instalación, y mantenimiento
Manuale di montaggio, installazione e manutenzione
Monterings- og vedlikeholdsmanual
Monterings-, installations- och underhållsmanual
Kokoamis-, asennus- ja huolto-ohje
Vejledning for montering og vedligehold
Handleiding voor montage, installatie en onderhou
Manual de montagem, instalação e manutenção
Návod k montáži, instalaci a údržbě
Instrukcja montażu, instalacji i konserwacji
Surinkimo, montavimo ir priežiūros vadovas
Montāžas, uzstādīšanas un apkopes rokasgrāmata
Руководство по сборке и обслуживанию
Montaaži-, paigaldus- ja säilitamise juhend
V 1.0

Palmako
LEMEKS GROUP

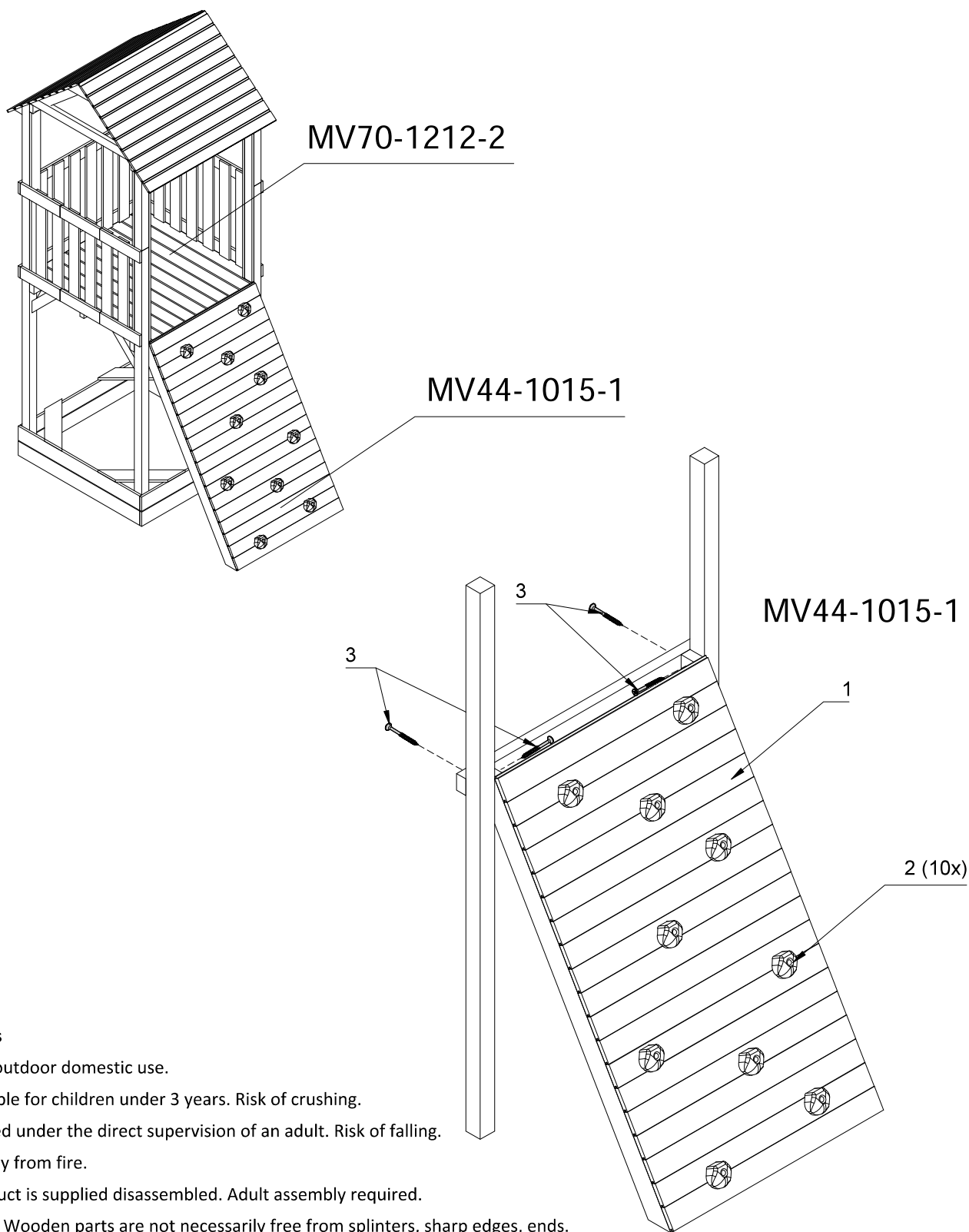


MV44-1015-1

Toode vastab standardile EN 71 ja Direktiivile 2009/48/EÜ.
The product complies with standard EN 71 & Directive 2009/48/EC.
Der Artikel erfüllt die Normen EN 71 & Richtlinie 2009/48/EG.
Le produit répond aux normes suivantes EN 71 & Directive 2009/48/CE.
Il prodotto rispetta le norme comunitarie EN 71 e Direttiva 2009/48/CE.
Изделие соответствует стандартам EN 71 и Директива 2009/48/EC.
Produkts atbilst standartiem EN 71 un Direktīva 2009/48/EK.
Gaminys atitinka standarto EN 71 ir Direktyvos 2009/48/EB.
Tuote on sertifioitu standardin EN 71 & Direktiivi 2009/48/EY mukaan.
Este producto cumple con la norma EN 71 y la Directiva 2009/48/CE.
Dit product voldoet aan standaard EN 71 en richtlijn 2009/48/EC.
O produto está em conformidade com a norma EN 71 e Diretiva 2009/48/CE.
Produktet overholder standarden EN 71 og direktiv 2009/48/EF.
Produkt zgodny z normą bezpieczeństwa EN 71 i wymogami dyrektywy 2009/48/WE.
Tento výrobek je v souladu s normou EN 71 a směrnici 2009/48/ES.
Produkten uppfyller standard EN 71 och direktiv 2009/48/EG.
Lekestativet er produsert etter følgendestandard og direktiv: EN 71; 2009/48/EU

Produced by:
PALMAKO AS
Näituse 25,
Tartu
50409 Estonia





Warnings

Only for outdoor domestic use.

Not suitable for children under 3 years. Risk of crushing.

To be used under the direct supervision of an adult. Risk of falling.

Keep away from fire.

The product is supplied disassembled. Adult assembly required.

Warning! Wooden parts are not necessarily free from splinters, sharp edges, ends.

The product is meant to be used by children from the age of 3 and weighing no more than 50 kg.

Pos no.	Name	Dimensions (mm)	Code	Qty
1	Element	114 x 1021 x 1391		1
2	Stone set (a`5 pcs)		AKRK	2
3	Screw	Ø5 x 90	QKRPP5x90ZnTX	4

1

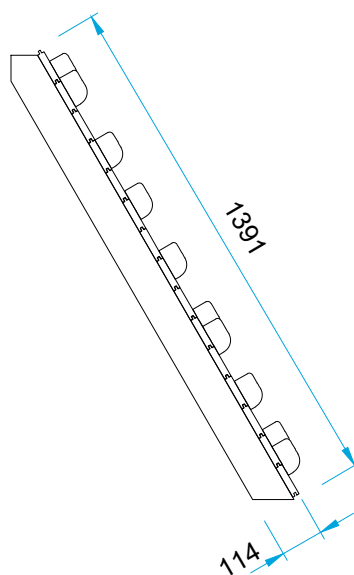
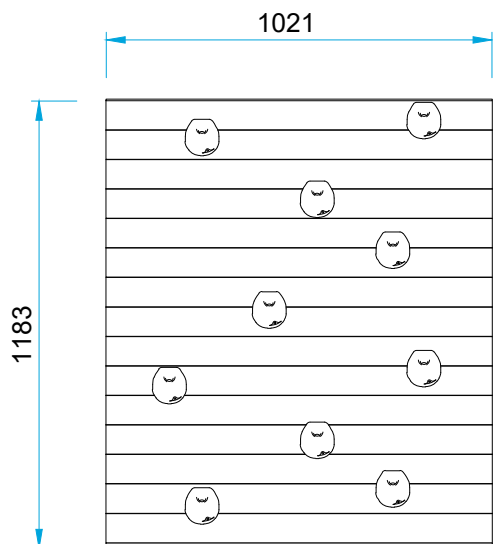
2

3

4

A

A

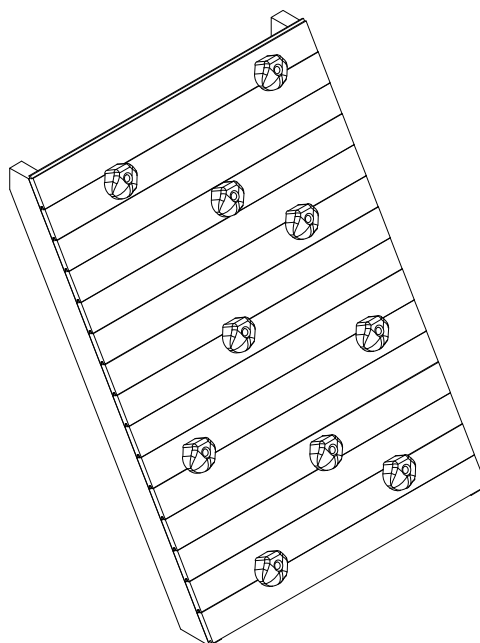


B

B

C

C



D

D

E

E

Pos nr	Nimetus	Mõõtmed (mm)	Profiil / Tähis	Kogus
1	Element	114 x 1021 x 1391		1
2	Stone set (a´5 pcs)		AKRK	2
3	Screw	Ø5 x 90	QKRPP5x90ZnTX	4

Object name

JESPER Climbing wall

Drawing

Elevations

Scale 1:20

Paper A4

F

F

Palmako
LEMEKS GROUP

AS Palmako
Näituse 25, Tartu 50409, Estonia
tel. +372 73 55 530
fax. +372 73 55 544
www.palmako.com

Drawn by 007

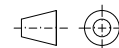
Date 30.08.2021

Checked by

Date

Approved by

Date



Page 1

1

2

3

4

EN

Read these instructions carefully prior to assembly and check the number and condition of the parts.

Assembly

The product must be installed in accordance with the drawings included in the manual. At least two people are required to ensure safety of assembly. spirit level, saw, protective gloves, safety glasses, cordless drill with drill bits and screwdrivers, tape measure, pencil, stair ladder, wrench set, file are required for assembly. Before screwing, please drill hole in order to avoid cracks in the wood.

Installation

The product is intended to be used with "Jesper Tower+roof " (MV70-1212-2). The product must be installed on a smooth surface covered with an appropriate material: sand, bark or well-maintained grass. The product legs must be fixed to the concreted anchors (as indicated in the drawing). The legs must not be set in sand or another soft surface material, as this may not guarantee sufficient stability.

Anchoring

To ensure stability, the product must be anchored in the ground. Dig in the soil at the location of the legs holes that are 400 mm deep and with the cross-section of 600x600mm. Throw a layer of gravel to the bottom of the hole to improve rainwater absorption in the soil. Then pour concrete into the hole, stopping at 50 mm below the ground level. When the concrete becomes dry, place a layer of soil on it up to the ground level.

Use

All projecting screws and sharp edges must be planed smooth immediately after installation to avoid potential injuries. The height of the swing seat (350 mm) as well as the general condition of the set must be checked on a daily basis. Stability, wear on the moving parts and strength of connections should be checked no less frequently than every 1 to 3 months. The suitability of the base material, corrosion of accessories and rotting of wooden parts should be checked once a year. Moving parts must be oiled and worn and/or defective parts should be replaced with parts provided by the manufacturer. Bolts and ropes must be tightened.

We advise the removal and storage of all accessories during the winter because the characteristics of the soil (when frozen) are not suitable for safe play. To avoid that the swing is heating up, do not place it facing the sun. In warm weather, check that the seating surface is not too hot.

Warnings.

- **Not suitable for children under 3 years. Risk of falling.**
- **To be used under the direct supervision of an adult. Ropes. Suffocation risk.**
- **Only for domestic use. Outdoor.**
- **Adult assembly required.**
- **This product is designed to be used by children from the ages of 3 to 14 (max 50kg/user).**
- **The product is designed for simultaneous use by up to 1 persons.**

Caution.

- **Items of clothing causing increased danger such as hoods, buttons, etc., may become caught during use of the product and may therefore present a risk of suffocation to the wearer.**
- **Wooden details can contain slight torn grain or sharp ends and edges.**
- **Every time before using the playground you should make that the anchoring remains reliable.**

NB! The structure MUST NOT be altered without the consent of the manufacturer, otherwise risk of serious injury. These instructions should be kept in order to avoid later disputes.

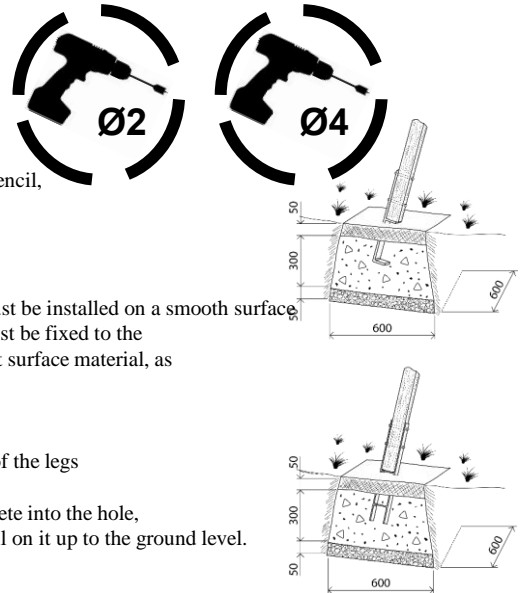
For your information:

Wood, as a natural material, is sensitive to changes in the environment. Fluctuations in temperature and weather conditions may cause the wood to split and harden – particularly in the case of machine-cut wood products. However, this generally does not affect the strength of the wood. This swing design is foreseen for one-time installation only.

TREATED TIMBER CONTAINING A BIOCIDAL PRODUCT. Control of wood destroying organisms.

Active Ingredients: copper carbonate / copper hydroxide (1:1) and boric acid.

Avoid inhalation of sawdust. Do not use in contact with drinking water or for direct food contact. Do not use for animal bedding or in fish ponds. Dispose of treated wood responsibly. Industrial waste should be disposed of through an authorised waste contactor.



DE

Vor der Aufstellung lesen Sie bitte diese Anleitung durch und prüfen Sie die Übereinstimmung und Anzahl der Bauteile.

Montage

Das Produkt muss genau entsprechend den Zeichnungen in der Anleitung montiert werden. Eine sichere Montage setzt die Mitarbeit von mindestens zwei Personen voraus. Bei der Montage werden Wasserwaage, Säge, Schutzhandschuhe, Schutzbrille, Akkuschauber mit Zubehör, Bandmaß, Bleistift, Stufenleiter, Schraubenschlüsselsetz, Feile benötigt. Um das Auftreten von Rissen im Holz so gering wie möglich zu halten, empfehlen wir Ihnen vor dem Verschrauben, zuvor ein Loch zu bohren.

Aufstellung

Das Produkt ist zur Nutzung in Verbindung mit „Jesper Tower+roof“ (MV70-1212-2) vorgesehen. Das Produkt ist auf einer glatten Oberfläche zu montieren, die mit einem geeigneten Material bedeckt ist: Sand, Rinde oder gut gepflegter Rasen. Die Füße des Produkts müssen an den einbetonierten Ankern befestigt werden (wie in der Zeichnung angegeben). Die Stützen darf man nicht im Sand oder in einem sonstigen weichen Boden aufstellen, weil dies nicht die erforderliche Standsicherheit gewährleistet.

Verankerung

Um die Stabilität zu gewährleisten, ist das Produkt im Boden zu verankern. Graben Sie im Boden an der Position der Füße Löcher, die 400 mm tief sind und einen Querschnitt von 600×600 mm haben. Anschließend ist der Boden des Loches mit einer Kiesschicht zu bedecken, um das Versickern des Regenwassers im Boden zu vereinfachen. Danach ist bis 50 mm unterhalb der Erdoberfläche mit Beton aufzufüllen. Nachdem der Beton ausgehärtet ist, wird der Beton bis zur Erdoberfläche mit einer Bodenschicht bedeckt.

Nutzung

Alle eventuell herausragenden Gewinde und scharfe Kanten müssen sofort nach der Aufstellung mit einer Feile abgerundet und eingebnet werden, um späteren Verletzungen vorzubeugen. Die Höhe (350mm) und der allgemeine Zustand des Schaukelsitzes müssen täglich geprüft werden. Die Stabilität der Schaukel, der Verschleiß der beweglichen Teile und die Festigkeit der Verbindungsstellen müssen mindestens alle 1–3 Monate geprüft werden. Einmal jährlich muss die Angemessenheit des Unterlagenmaterials, die Korrosion der Beschläge und der Zustand der Holzteile geprüft werden. Die beweglichen Teile sind abzuschmieren und verschlissene und/oder defekten Teile durch Originalteile des Herstellers zu ersetzen. Die Bolzen und Seile müssen festgezogen werden.

Bitte das Zubehörpaket nicht direkter Sonneneinstrahlung auszusetzen. Die dauernde Sonnenbestrahlung beeinflusst die Produktqualität und erhitzt die Oberfläche des Spielgerätes. Bitte kontrollieren Sie bei sonnigen Tagen die Oberflächentemperatur des Spielgerätes da sonst Verletzungsgefahr besteht.

Achtung.

- **Nicht geeignet für Kinder unter 3 Jahren. Sturzgefahr.**
- **Benutzung unter unmittelbarer Aufsicht von Erwachsenen. Seile. Strangulationsgefahr.**
- **Nur für den Hausgebrauch im Freien vorgesehen.**
- **Der Zusammenbau ist durch einen Erwachsenen vorzunehmen.**
- **Für Kinder ist zur Nutzung durch Kinder im Alter von 3 bis 14 Jahren (maximal 50 kg/Person).**
- **Die Produkt ist für 1 Benutzer vorgesehen.**

Achtung.

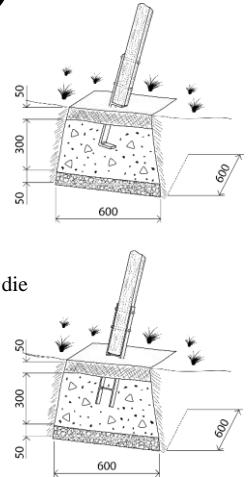
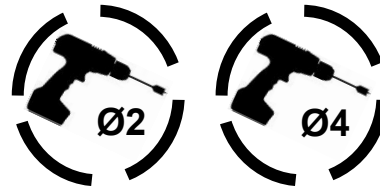
- **Lose Kleidungsstücke – Kapuze, Schnüre usw. stellen eine zusätzliche Gefahr dar, denn sie können sich beim Spielen verhaken und den Spielenden dadurch in Erstickungsgefahr bringen.**
- **Holzteile können Holzsplitter, Risse, scharfe Kanten und Enden haben.**
- **Vor dem Benutzen bitte jedes Mal die Sicherheit der Erdanker kontrollieren.**

NB! Ohne Genehmigung des Herstellers DARF die Konstruktion NICHT geändert werden. Diese Anleitung muss unbedingt sorgfältig aufbewahrt werden, um späteren Streitigkeiten vorzubeugen.

Zu Ihrer Information! Holz als Naturmaterial ist gegenüber den Änderungen der Umgebung empfindlich. Änderungen der Temperatur und der Witterungsverhältnisse können Risse im Holz und Verformungen des Holzes verursachen, insbesondere bei maschinengefrästen Holzprodukten. Dies wirkt sich aber in der Regel nicht auf die Festigkeit des Holzes aus. Die vorliegende Schaukelkonstruktion ist für eine einmalige Aufstellung gedacht. **BEHANDELTES HOLZ, DAS EIN BIOZID-PRODUKT ENTHÄLT. Schutz vor holzerstörenden Organismen.**

Wirkstoffe: kupfercarbonat / kupferhydroxid (1:1) und borsäure.

Das Einatmen von Sägemehl vermeiden. Nicht in Kontakt mit Trinkwasser oder direktem Kontakt mit Lebensmitteln verwenden. Nicht als Einstreu für Tiere oder in Fischteichen verwenden. Behandeltes Holz verantwortungsvoll entsorgen. Gewerbemüll sollte durch ein anerkanntes Entsorgungsunternehmen entsorgt werden.

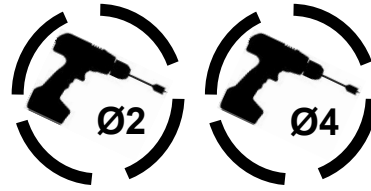


FR

Lisez soigneusement ces instructions avant l'assemblage et vérifiez le nombre et l'état des pièces.

Assemblage

Le produit doit être installé conformément aux dessins inclus dans le manuel. Au moins deux personnes sont nécessaires pour assurer un assemblage en toute sécurité. Des Niveau à bulle, scie, gants de protection, lunettes de sécurité, perceuse sans fil avec forets et tournevis, mètre, crayon, échelle d'escalier, jeu de clés, fichier sont nécessaires pour l'assemblage. Pour minimiser l'apparition des fentes dans le bois, nous vous recommandons de percer un avant trou, avant de visser.

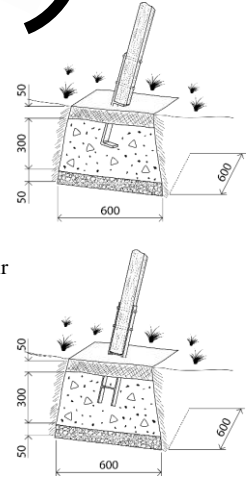


Installation

Le produit est destiné à être utilisé avec « Jesper Tower + roof » (MV70-1212-2). Le produit doit être installé sur une surface lisse recouverte d'un matériau approprié : sable, écorce ou pelouse bien entretenue. Les pieds du produit doivent être fixés aux ancrages en béton (comme indiqué sur le dessin). Les embases ne doivent pas être installées dans du sable ou tout autre matériau meuble, car cela ne pourrait pas garantir une stabilité suffisante.

Ancrage

Pour assurer la stabilité, le produit doit être ancré dans le sol. Creusez dans le sol à l'emplacement des pieds des trous d'une profondeur de 400 mm avec une section transversale de 600 x 600 mm. Déposer une couche de gravier au fond pour permettre un bon drainage du sol. Ensuite couler le béton dans le trou, en s'arrêtant 50 mm en dessous du niveau du sol. Lorsque le béton devient sec, le recouvrir d'une couche de terre jusqu'à niveau.



Utilisation

Toutes les vis qui dépassent et les bords pointus doivent être immédiatement aplanis après l'installation pour éviter des blessures potentielles. La hauteur du siège de la balançoire (350 mm) ainsi que les conditions générales de l'ensemble doivent être vérifiées quotidiennement. La stabilité, usures des pièces en mouvement et la robustesse des connexions devraient être vérifiées pas moins fréquemment que tous les 1 à 3 mois. La compatibilité du matériau de fondation, la corrosion des accessoires et le pourrissement des pièces en bois devraient être vérifiés un fois par an. Les pièces en mouvement doivent être huilées et les pièces défectueuses et/ou usées doivent être remplacées par des pièces fournies par le fabricant. Les écrous et cordes doivent être serrés.

Nous conseillons d'enlever et de stocker tous les accessoires pendant l'hiver car les caractéristiques du sol (lorsque gelé) ne sont pas adaptées pour jouer sans danger. Pour éviter que la balançoire ne chauffe de trop, ne pas la placer face au soleil. Par temps chaud et ensoleillé, vérifier que la surface de l'assise n'est pas trop chaude.

Attention.

- **Ne convient pas aux enfants de moins de 3 ans. Danger de chute.**
- **À utiliser sous la surveillance d'un adulte. Cordes. Danger de strangulation.**
- **Réservé à un usage familial à l'extérieur uniquement.**
- **Assemblage par un adulte requis.**
- **Destiné aux enfants de 3 à 14 ans (max 50 kg/utilisateur).**
- **La balançoire est conçue pour une utilisation par jusqu'à 1 personne à la fois.**

Attention !

- **Des parties de vêtements causant un danger accru tels que capuches, boutons, etc., peuvent devenir accrochés lors de l'utilisation du produit et donc peuvent présenter un risque d'étouffement pour le porteur.**
- **Les éléments en bois peuvent présenter des éclaves, des extrémités et des bords tranchants.**
- **Assurez-vous à chaque fois avant d'utiliser le portique que l'ancrage reste fiable.**

NB! La structure NE DOIT PAS être altérée sans le consentement du fabricant. Ces instructions doivent être conservées de façon à éviter des disputes ultérieures.

Pour votre information: Le bois, comme matériau naturel, est sensible aux changements d'environnement. Les variations de températures et conditions atmosphériques peuvent causer le bois à fendre et durcir – particulièrement dans le cas des produits en bois coupés par machine. Cependant, cela n'affecte généralement pas la résistance du bois. La conception du balançoire est prévu pour l'installation unique.

BOIS TRAITÉ CONTENANT UN PRODUIT BIOCIDE. Contrôle des organismes destructeurs du bois.

Ingrédients actifs: carbonate de cuivre / hydroxyde de cuivre (1:1) et acide borique.

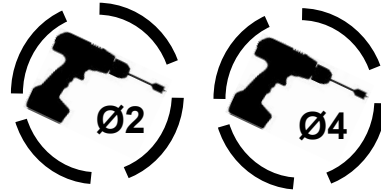
Éviter d'inhaler de la sciure. Ne pas utiliser au contact de l'eau potable ou en vue d'un contact direct avec des produits alimentaires. Ne pas utiliser comme litière ou dans un étang de pêche. Mettre le bois traité au rebut de manière responsable. Les déchets industriels doivent être mis au rebut via une entreprise de traitement agréée.

ES

Lea estas instrucciones cuidadosamente antes de ensamblar y compruebe la cantidad y la condición de las piezas.

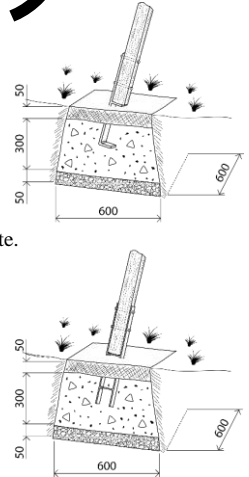
Ensamblado

El producto se debe instalar según los diagramas del manual. Se requiere, por lo menos, dos personas para garantizar la seguridad del ensamblado. El ensamblado requiere nivel, sierra, guantes de protección, gafas de seguridad, taladro inalámbrico con brocas y destornilladores, cinta métrica, lápiz, escalera, juego de llaves, lija. Haga perforaciones para los tornillos para evitar grietas en la madera.



Instalación

El producto está diseñado para ser utilizado con "Jesper Tower+roof"(MV70-1212-2). El producto debe instalarse en una superficie lisa cubierta con un material adecuado: arena, corteza o césped en buen estado. Las patas de producto deben fijarse a los anclajes hormigonados (como se indica en el dibujo). Las patas no se deben colocar en arena ni ninguna otra superficie suave, ya que esto no proporcionaría estabilidad suficiente.



Anclaje

El columpio debe ser fijado al suelo para asegurar su estabilidad. Haga huecos de 400 mm de profundidad y 600x600 mm de sección en el suelo de manera que coincidan con las patas. Esparza una capa de grava en el fondo del hueco para facilitar el paso del agua de lluvia al suelo. Luego vierta hormigón en el hueco hasta llegar a 50 mm antes de la superficie. Cuando el hormigón se haya secado, llene con tierra hasta el nivel del suelo.

Uso

Todos los tornillos protuberantes y bordes afilados deben ser alisados inmediatamente después de la instalación para evitar el riesgo de lesiones. La altura del asiento del columpio (350 mm) y la condición general del equipo debe ser revisada diariamente. La estabilidad, el desgaste de las partes móviles y el ajuste de las conexiones deben ser revisados al menos cada 1-3 meses. El estado del material de base, la corrosión de los accesorios y las piezas de madera se deben revisar una vez al año. Las partes móviles deben ser engrasadas y las partes desgastadas y/o defectuosas se deben cambiar con repuestos provistos por el fabricante. Los tornillos y las cuerdas deben apretarse bien.

Recomendamos desmontar y almacenar todos los accesorios durante el invierno ya que las características del suelo (al estar congelado) no son adecuadas para jugar de manera segura. No coloque el columpio de cara al Sol para evitar su calentamiento. Cerciñese de que la superficie del asiento no esté demasiado caliente en épocas de calor.

Advertencias.

- **No conviene para niños menores de 3 años. Riesgo de caída.**
- **Utilícese bajo la vigilancia directa de un adulto. Cuerdas. Peligro de estrangulamiento.**
- **Solo para uso doméstico en exteriores.**
- **Se requiere ensamblaje por un adulto.**
- **Destinado a los niños de 3 a 14 años (máx. 50kg/usuario).**
- **Este producto está diseñado para su uso simultáneo por 1 personas.**

¡Precaución!

- **Las piezas de ropa que pueden causar peligros, como capuchas, botones, etc., pueden engancharse durante el uso del producto y, por lo tanto, crear riesgo de asfixia para el usuario.**
- **Detalles de madera pueden contener pequeñas astillas o bordes afilados y extremos puntiagudos.**
- **Siempre, antes de usar el patio de juegos, cerciñese de que el anclaje esté firme y estable.**

¡NOTA! La estructura NO SE DEBE alterar sin el consentimiento del fabricante, de lo contrario existe riesgo de lesiones serias. Estas instrucciones se deben conservar para evitar conflictos ulteriores.

Para su información: La madera, como material natural, es sensible a los cambios del ambiente. Las variaciones de temperatura y las condiciones climáticas pueden causar el rompimiento y endurecimiento de la madera – en particular, en el caso de productos de madera cortados a máquina. Sin embargo, generalmente esto no afecta la dureza de la madera. La estructura de este columpio está diseñada para ser instalada sólo una vez.

MADERA TRATADA QUE CONTIENE UN PRODUCTO BIOCIDA. Control de organismos que destruyen la madera.

Ingredientes activos: carbonato de cobre/hidróxido de cobre (1:1) y ácido bórico.

Evite la inhalación del aserrín. No lo use en contacto con agua potable ni alimentos. No lo use para viviendas de animales ni en estanques de peces. Disponga de la madera tratada responsablemente. Los desechos industriales deben ser eliminados por agentes autorizados

IT

Prima di eseguire l'installazione, leggere attentamente le istruzioni e verificare il numero e la conformità degli elementi contenuti nell'imballaggio.

Assemblaggio

Il prodotto deve essere installato come descritto dai disegni inclusi nel manuale.

Per eseguire l'assemblaggio in condizioni di sicurezza occorrono almeno due persone.

Prima di iniziare le operazioni di montaggio dell'attrezzatura, procurarsi tutti gli attrezzi necessari: livella, sega, guanti protettivi, occhiali protettivi, trapano a batteria con punte da trapano e cacciaviti, flessometro, matita, scala a pioli, set di chiavi, lima. Prima di avvitare, si prega di forare accuratamente prima di evitare crepe nel legno.

Installazione

Il prodotto è destinato all'uso con "Jesper Tower + roof" (MV70-1212-2). Il prodotto deve essere installato su una superficie liscia ricoperta da un materiale appropriato: sabbia, corteccia o erba ben curata. Le gambe devono essere fissate agli ancoraggi cementati (come indicato nel disegno).

I pali non devono sprofondare nella sabbia o in altro tipo di terreno soffice, poiché la stabilità di ancoraggio dell'intera struttura ne risulterebbe compromessa.

Ancoraggio

Per garantire la stabilità, il prodotto deve essere ancorato al terreno. Scavare nel terreno, in corrispondenza della posizione delle gambe, fori di profondità 400 mm e con una sezione trasversale di 600x600 mm. Spargere sul fondo di ogni buca uno strato di ghiaietto per facilitare l'assorbimento dell'acqua piovana. Riempire le buche di cemento fino a un'altezza di 50 mm sotto il livello del suolo. Aspettare che la cementazione sia asciutta prima di ricoprire le buche con uno strato di terra fino al livello della superficie del terreno.

Utilizzo

Assicurarsi subito dopo l'installazione che tutti i bulloni e le viti scoperti, i bordi affilati e le sporgenze spigolose siano stati accuratamente limati e smussati al fine di prevenire eventuali ferimenti. Controllare giornalmente l'altezza del seggiolino (350mm) e le condizioni generali dell'attrezzatura. Almeno una volta ogni 1-3 mesi, e comunque non con una periodicità inferiore, verificare la stabilità di ancoraggio, le tenute di congiunzione e il logorio delle parti mobili. Almeno un volta all'anno è necessario verificare lo stato del terreno, la presenza di ruggine sulle attrezzature e il deterioramento delle parti in legno. Le parti soggette a movimento devono essere lubrificate e quelle logorate e/o difettose sostituite con parti nuove di ricambio fornite dal fabbricante. Stringere bene viti, dadi e bulloni.

Consigliamo la rimozione e lo stoccaggio di tutti gli accessori durante l'inverno, perché le caratteristiche del suolo (in caso di gelate) non sono adatte per giocare in sicurezza. Per evitare che l'altalena si riscaldi, non posizionarla rivolta direttamente verso il sole. Nella stagione calda, controllare che la superficie di seduta non si riscaldi eccessivamente.

Avvertenze.

- **Non adatto a bambini di età inferiore a 3 anni. Rischio di caduta.**
- **Da usare sotto la diretta sorveglianza di un adulto. Corde. Rischio di soffocamento.**
- **Solo per uso domestico ed esterno.**
- **Richiesto assemblaggio da parte di un adulto.**
- **Destinati ai bambini da 3 a 14 anni (Max 50 kg/bambino).**
- **L'altalena può essere utilizzata da 1 persona alla volta.**

Attenzione!

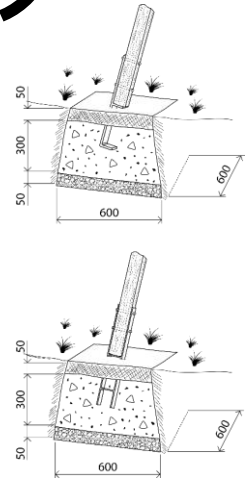
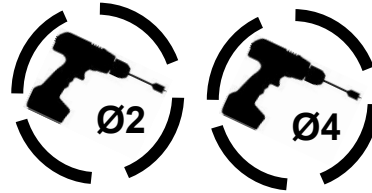
- **I capi di abbigliamento e accessori come bottoni, cappucci, sciarpe ecc. rappresentano un pericolo perché durante il gioco possono restare impigliati o aggrovigliarsi ed essere causa di soffocamento per il bambino.**
- **I dettagli in legno possono contenere schegge, bordi ed estremità taglienti.**
- **Verificare che l'ancoraggio sia ben saldo prima di fare uso dell'area giochi.**

NB! E' TASSATIVAMENTE VIETATO apportare qualsiasi modifica all'attrezzatura senza esplicita autorizzazione del fabbricante. Conservare la guida di installazione in caso di eventuali contestazioni o controversie.

Per Vostra informazione! Il legno è sensibile in quanto materiale naturale alle condizioni climatiche e ambientali. Le condizioni atmosferiche e le oscillazioni della temperatura possono danneggiare il legno provocando spaccature o deformazioni; ciò vale soprattutto per i prodotti in legno fresato. In linea generale i fenomeni naturali non intaccano comunque la robustezza del legno. Questa versione di altalena è progettata solo per una singola installazione.

LEGNO TRATTATO CON BIOCIDI. Controllo degli organismi distruttori del legno.**Principi attivi: carbonato di rame / idrossido di rame (1:1) e acido boric.**

Evitare l'inalazione di segatura. Non utilizzare a contatto con acqua potabile o a contatto diretto con gli alimenti. Non utilizzare come lettiera per animali. Smaltire il legno trattato in maniera idonea. I rifiuti industriali devono essere smaltiti da un gestore ecologico autorizzato.



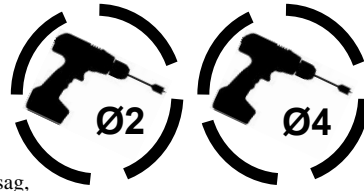
NO

Les disse instruksene nøye før du begynner monteringen og kontroller at antall deler stemmer mot delelisten og at disse er i orden.

Montasje

Produktet skal installeres i henhold til tegningene inkludert i håndboken.

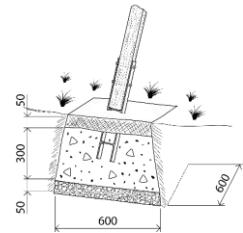
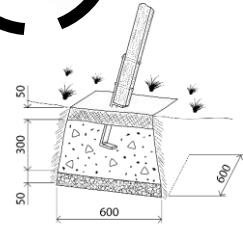
For sikker montasje kreves det minst to voksne. For montasje trenger man arbeidslyst, sag, arbeidshansker, vernebriller, drill med bits, skrutrekker, tape, målebånd, blyant, trappestige, fastnøkkelsett, fil. For å unngå at trevirket sprekker skal man forbore skruerhull.



Installasjon

Produktet er beregnet for bruk med "Jesper Tower+roof" (MV70-1212-2). Produktet skal installeres på en jevn overflate belagt med passende materiale: sand, bark eller godt vedlikeholdt gress.

Produktets bena skal festes til betonglagde ankre. (som beskrevet i monteringsanvisningen). De skal ikke plasseres i sand eller en annen myk grunn siden det ikke nødvendigvis sikrer tilstrekkelig stabilitet.



Forankring

For at sikre stabilitet skal produktet forankres i bakken. Grav hull i bakken for bena, dybde 400 mm og tverrsnitt 600x600mm. Legg et lag med grus i bunnen for drenering. Fyll opp med betong til 50 mm under overflaten. Forankring av lekestativet kjøpes separat. Til slutt fylles resten av hullet opp med jord.

Vedlikehold

Alle skruer som stikker ut, og skarpe kanter skal slipes bort straks etter monteringen for å unngå mulige skader. Lekeplassen skal kontrolleres daglig m.h.t. høyden på huskestativet (350 mm) og generell god stand. Hver 1-3 måned, ikke sjeldnere enn hver 3. måned skal lekeplassen kontrolleres m.h.t. stabilitet, slitasje på bevegelige deler og om festene er solide. En gang i året skal det kontrolleres om underlagsmaterialet er i god stand, og eventuelt om det er råte i treverket. Bevegelige deler skal smøres, og slitte og/eller defekte deler skal byttes ut med deler som tilsvarer de opprinnelige. Skruer og tau skal på nytt.

Vi anbefaler fjerning og lagring av alt tilbehør i vintersesongen pga. at jordens egenskaper (frossen tilstand) er ikke egnet for å leke trygt. For å unngå at husken blir for varm, bør den ikke plasseres i solens retning. I varmt vær sjekk at sitteflaten ikke er for varm.

Advarsler.

- **Ikke egnet for barn under 3 år. Fallrisiko.**
- **Må kun brukes under tilsyn av en voksen. Snorer. Kvelningsfare.**
- **Bare for utendørs privat bruk.**
- **Montering av voksen påkrevd.**
- **Kun egnet for barn mellom 3 og 14 år (maks. 50 kg).**
- **Produktet er beregnet på inntil 1 brukere.**

Advarsel!

- **Løse klesplagg, hetter, snorer m.m. kan bety en ekstra fare fordi de kan henge seg fast under leken og utsette barnet for kvelningsfare.**
- **Tredetaljene kan inneholde flis, skarpe kanter og ender.**
- **Sjekk festing av ankrene hver gang før bruk.**

OBS! Strukturen på lekeplassen SKAL IKKE endres uten tillatelse fra produsenten. Ta vare på all dokumentasjon som følger med lekestativet.

NB! Lekeplassen er produsert i rundstokk. Rundstokk inneholder kjerneved, noe som er svært resistent og holder seg mye rettere enn kløvd virke. Ulempen med kjerneved er at det er mye spenninger i treet, noe som vil medføre sprekkdannelse. Dette svekker derimot ikke styrken i treet da massen forblir konstant. Det samme ser vi i tømmerhytter der de store tømmerdragerne i taket alltid har store sprekker. Huskekonstruksjonen er beregnet for montasje kun en gang.

IMPREGNERT TREVIRKE INNEHOLDER BIOCIDER FOR BEKJEMPELSE AV ORGANISMER SOM ØDELEGGER PRODUKTET.

Virksomme ingredienser: kopperkarbonat / kopperhydroksid (1:1) og borsyre.

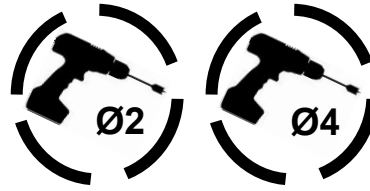
Unngå å puste inn støv som oppstår ved saging. Ikke bruk under betingelsene der kontakt med drikkevann eller direkte kontakt med mat er mulig. Ikke bruk som underlagsmateriale for dyr eller i vann i fiskeoppdrett. Impregneret trevirke skal gjenvinnes ansvarsfullt. Industriavfall skal sendes til gjenvinning via en godkjent aktør.

SE

Läs igenom dessa instruktioner noggrant innan montering och kontrollera att alla detaljer är hela och finns med.

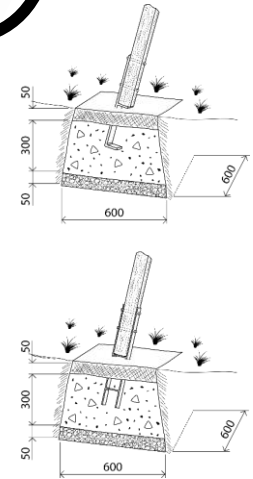
Ihopmontering

Produkten måste monteras i enlighet med ritningarna som medföljer manualen. För säker montering krävs minst två vuxna personer. Vattenpass, såg, skyddshandskar, skyddsglasögon, skruvdragare med bormaskin, måttband, penna, trappstege, ringnyckelsats, fil krävs för monteringen. Innan skruvarna monteras, var god borra hål för att undvika att träet spricker.



Montering

Produkten är avsedd att användas med "Jesper Tower+roof" (MV70-1212-2). Produkten ska monteras på en jämn yta täckt med ett lämpligt material: sand, bark eller välskött gräsmatta. Produktens ben måste fästas i betongankare. (som anges på ritningen). Stolpfötterna får inte grävas ned i sand eller annat mjukt underlag eftersom det inte garanterar tillräcklig stabilitet.



Förankring

För att säkerställa stabiliteten måste produkten förankras i marken. Gräv hål som är 400 mm djupa och med ett tvärsnitt på 600x600 mm på de ställen där benen ska placeras. Lägg sedan ett skikt grus i hålbotten för att underlätta vattenabsorptionen i marken. Gjut därefter betong i hålet upp till 50 mm under markytan. Efter att betongen har härdnat, fyll i jordmassa ovanpå betongen upp till markytan.

Användning

Eventuella utstickande skruvar och vassa kanter skall rundas av och jämnas till omedelbart efter monteringen för att undvika senare skador. Gungan skall kontrolleras dagligen avseende gungbrädans höjd (350 mm) och allmänt skick. Var 1–3 månad, dock inte mer sällan, måste gungan kontrolleras avseende stabilitet, slitage av rörliga delar och kopplingars hållfasthet. En gång om året skall underlagsmaterialets lämplighet, tillbehörens korrosion och eventuellt ruttnad av trädelar kontrolleras. Rörliga delar måste smörjas samt slitna och/eller defekta delar måste bytas ut mot tillverkarens reservdelar. Bultar och rep måste efterdras och spännas.

Vi rekommenderar att avlägsna och ställa av alla tillbehör för vintern eftersom (den frusna) marken är olämplig för säker lek. Ställ inte gungan i full sol för att undvika upphettning. I varmt väder bör man kontrollera att sätets yta inte är för varm.

Varningar.

- **Inte lämplig för barn under 3 år. Barnet kan falla av.**
- **Ska användas under tillsyn av vuxen. Inkluderar linor. Risk för strypning.**
- **Endast för hemmabruk utomhus.**
- **Montering av en vuxen krävs.**
- **Lämplig för barn från 3 till 14 år (max. 50 kg/användare).**
- **Produkten är avsedd för högst 1 stycken användare samtidigt.**

Var försiktig!

- **Lösa klädesplagg, kpuschonger, knappar mm. kan utgöra en stor fara genom att de kan fastna under leken och utsätta det lekande barnet för strypningsrisk.**
- **Trädetaljer kan ha grova ytor, vassa kanter eller spetsiga ändar.**
- **Försäkra dig om att förankringen är säker varje gång innan lekställningen används.**

OBS! Konstruktionen FÅR INTE ändras utan tillverkarens medgivande, i annat fall finns risk för allvarliga personskador. Bruksanvisningen måste sparas för att undvika senare tvister.

För er kännedom: Trä som naturmaterial är känsligt för förändringar i omgivningen. Skiftningar i temperatur och väderlek kan göra att träet spricker och hårdnar – speciellt maskinfrästa träprodukter. Dock påverkar detta i allmänhet inte träets hållfasthet. Gungkonstruktionen är avsedd för engångsmontering.

BEHANDLAT TRÄ INNEHÅLLER EN BIOCIDPRODUKT för kontroll av träförstörande organismer.

Aktiva ingredienser: kopparkarbonat/kopparhydroxid (1:1) och borsyra.

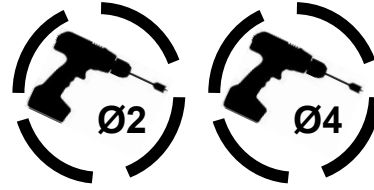
Undvik inandning av sågdam. Använd inte i förhållanden, där det finns risk för kontakt med dricksvatten eller direkt kontakt med livsmedel. Använd inte som djurströ eller i fiskdammar. Kassera behandlat träavfall ansvarsfullt. Industriavfall ska kasseras av en behörig avfallshanterare.

FI

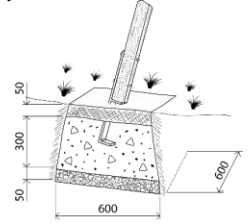
Lue ohjeet huolellisesti ennen asentamista. Tarkista, että kaikki osat ovat mukana paketissa ja että osat ovat kunnossa.

Kokoaminen

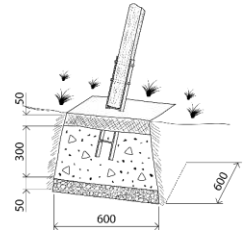
Tuote tulee asentaa ohjeeseen sisältyvien piirustusten mukaan. Jotta kokoaminen tapahtuisi turvallisesti, tulisi kokoamassa olla vähintään kaksi ihmistä. Asennuksessa tarvitaan vesivaaka, käsisaha, suojakäsineet, akkuporakone porilla ja ruuvitaltalla, rullamitta, kynä, porrastikkaat, ruuviavaimet, viila Puun halkeamisen välttämiseksi suosittelemme poraamaan ruuveille valmiiksi reiät.

**Asentaminen**

Tuote on tarkoitettu käyttöön Jesper Tower+roofin (MV70-1212-2) kanssa. Tuote tulee asentaa tasaiselle alustalle, joka on peitetty asianmukaisella materiaalilla: hiekalla, hakkeella tai hyvin hoidetulla nurmikolla. Tuotteen jalat pitää kiinnittää maahan betonoituihin ankkureihin (piirroksen mukaisesti). Jaljoja ei saa asentaa kevyekseen hiekkaan tai muuhun pehmeään materiaaliin, koska se ei takaa riittävää vakautta.

**Ankkurointi**

Vakauden varmistamiseksi tuote tulee ankkuroida maahan. Kaiva maahan jalcojen kohtaan 400 mm syvät aukot, joiden koko on 600 × 600 mm. Seuraavaksi kuopan pohjalle pannaan sorakerros helpottamaan veden imeytymistä maaperään. Tämän jälkeen betoni aina 50 mm asti maanpinnan alapuolelle. Kuivumisen jälkeen betoni peitetään maanpintaan saakka maa-aineksella.

**Käyttö**

Keinun rakenteissa mahdollisesti olevat terävät särmät tulee heti asennuksen jälkeen hioa tasaisiksi esim. viilalla. Päivittäin tulee tarkastaa keinun korkeus (350 mm) ja muu kunto. 1-3 kuukauden välein pitää tarkastaa keinun vakaus, liikkuvien osien kuluminen ja liitoskohtien tukevuus. Kerran vuodessa on tarkastettava alustan materiaalin kuntoa, osien ruostumista ja puuosien lahoamista. Liikkuvat osat tulee öljytä ja kuluneet tai vioittuneet osat vaihtaa uusiin. Pultteja ja köysiä täytyy kiristää tarvittaessa.

Suosittellemme, että kaikki lisävarusteet irrotetaan ja varastoidaan talven ajaksi, koska (jäätnyt) maaperä ei sovellu turvalliseen leikkimiseen. Jotta keinu ei kuumenisi, älä sijoita sitä suoraan aurinkoon. Tarkista lämpimällä säällä, ettei istuin ole liian kuuma.

Varoitukset.

- **Ei alle 3-vuotiaille lapsille. Kaatumisvaara.**
- **Lelua saa käyttää vain aikuisen välittömässä valvonnassa. Köysiä. Kuristumisvaara.**
- **Ainoastaan kotikäyttöön ulkotiloissa.**
- **Aikuisen koottava.**
- **Tarkoitettu 3–14-vuotiaille lapsille (enintään 50 kg).**
- **Tuote on suunniteltu kestäämään enintään 1 käyttäjää kerrallaan.**

Varoitus!

- **Vaaraa voivat aiheuttaa irtonaiset vaatteiden osat, huput, nyörit ym., jotka voivat leikkiessä takertua kiinni ja aiheuttaa kuristumisvaaran.**
- **Puuosista saattaa irrota tikkuja, ja niissä voi olla teräviä reunoja.**
- **Joka kerta ennen käyttöä tulee tarkistaa maa-ankkurien kiinnitykset.**

Huom! Keinun rakennetta ei saa muuttaa ilman valmistajan lupaa. Käyttöohje on säilytettävä myöhempien kiistojenvälttämiseksi.

Tiedoksi! Puu luonnon materiaalina on herkkä ympäristön muutoksille. Lämpötilan ja sään muutokset voivat aiheuttaa puun halkeamista ja taipumista erityisesti konejyrityssä puussa. Se ei yleensä kuitenkaan vaikuta puun kestävytyteen. Keinuoasa on suunniteltu kerta-asennettavaksi.

BIOSIDITUOTETTA SISÄLTÄVÄ KÄSITELTY PUU. Puuta tuhoavien organismien hallinta.**Vaikuttavat aineet: kuparikarbonaatti /kuparihydroksid (1:1), boorihappo.**

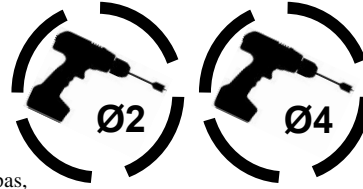
Vältä sahanpölyn hengittämistä. Älä käytä kosketuksissa juomaveteen tai suorassa kosketuksessa ruokaan. Älä käytä eläimille tarkoitettussa sahajauhossa. Hävitä käsitelty puu vastuullisesti. Teollisuusjäte pitää hävittää valtuutetun jätehuoltoyrityksen kautta.

DK

Inden placeringen bør du læse denne vejledning igennem og kontrollere, om delenes antal passer til det i beskrivelsen angivne.

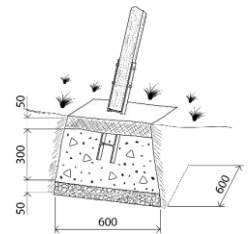
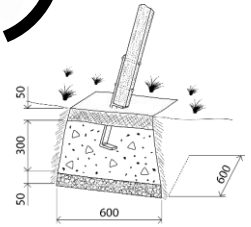
Montering

Produktet skal monteres i overensstemmelse med tegningerne i manualen. Det er nødvendigt med to voksne for sikker montering. Ved monteringen har du brug for vaterpas, sav, beskyttelsehandsker, trådløs bore-skruemaskine med bor og skruebits, målebånd, blyant, trappestege, nøglesæt, fil. For at undgå, at træet flækker, bør du forbore, inden du skruer skrue i.



Placering

Produktet er beregnet til at blive anvendt sammen med ”Jesper Tower+roof” (MV70-1212-2). Produktet skal monteres på en jævn overflade dækket af et passende materiale: sand, bark eller vellejet græs. Produktets ben skal være fastgjort til betonankrene (som vist på tegningen). Fødderne må ikke placeres i sand eller andet blødt materiale, da dette ikke kan sikre tilstrækkelig stabilitet.



Forankring

For at sikre stabiliteten skal produktet være fastgjort til jorden. Grav huller i jorden ved benenes position. De skal være 400 mm dybe og 600x600mm på tværs. Bunden af hullerne skal forsynes med et gruslag for at lette bortledning af vand til omgivelserne. Derefter fyldes der op med beton indtil 50 mm fra jordoverfladen. Efter at betonen er tøret, skal den dækkes til med blødt overflademateriale.

Anvendelse

Samtlige udstikkende skrue og skarpe kanter skal straks efter monteringen files til, sådan at senere skader undgås. Højden på gyngens sæde (350 mm) og gyngens almene tilstand skal kontrolleres dagligt. Mindst hver eller hver tredje måned, hvis ikke oftere, bør man kontrollere gyngens stabilitet, slid på bevægelige dele samt at fastgørelser stadig fungerer. 1 gang om året skal man kontrollere, om underlagsmateriale stadig er egnet, korrosion på beslag og trædelene for råd osv. De bevægelige dele bør smøres og slide og/eller defekte dele bør udskiftes med dele fra producenten. Bolte og reb skal strammes op.

Gynger mv. skal fjernes om vinteren og opbevares i et rum med jævn temperatur. Det er ikke sikkert at lege udenfor, når jordoverfladen er frossen. Beskyt gynger mv. mod solen. Udsættelse for konstant stråling beskadiger produktet og gør det for varmt til, at børn kan anvende det. I tilfælde af sol bør man kontrollere overfladetemperaturerne inden brug.

Advarsler.

- **Ikke egnet for børn under 3 år. Risiko for fald.**
- **Må kun anvendes under opsyn af en voksen. Reb. Stranguleringsfare.**
- **Kun til udendørs privat brug.**
- **Samling skal foretages af en voksen.**
- **Beregnet til børn mellem 3 og 14 år (max. 50 kg/person).**
- **Produktet er beregnet til anvendelse af op til 1 brugere samtidigt.**

Advarsel!

- **Løse beklædningsgenstande og -dele som huer, snore osv. kan være årsag til yderligere fare. De kan hænge fast i produktet og derved udsætte brugeren for kvælningsfare.**
- **Dele af træ kan indeholde splinter eller skarpe ender og kanter.**
- **Kontroller altid jordankrene inden brug.**

NB! Konstruktionen MÅ IKKE ændres uden tilladelse fra producenten. Gem denne vejledning, sådan at senere tvister kan undgås.

Til orientering: Træ er et naturmateriale, som er følsomt over for ændringer i miljøet. Ændringer i temperatur og vejrlig kan give anledning til, at træet sprækker eller vrider sig - dette gælder særligt for maskinfresede trædele. Det påvirker dog ikke træets styrke i almindelighed. Denne gyngekonstruktion er kun beregnet til at blive monteret en gang.

IMPREGNERET TRÆ, SOM INDEHOLDER PRODUKTER MED BIOCIDISK FUNKTION til bekæmpelse af skadedyr, som ødelægger træ.

Aktive stoffer: kobberkarbonat / kobberhydroxid (1:1) og borsyre.

Undgå at indånde støv ved savning af træ. Må ikke anvendes i omgivelser, hvor det kan komme i kontakt med drikkevand eller i direkte berøring med fødevarer. Må ikke bruges som underlagsmateriale til dyr eller i akvakulturdamme. Håndtering af affald, som indeholder imprægneret træ, skal ske ansvarsfuldt. Industrielt affald skal transporteres til genanvendelse af den entreprenør, som har til opgave at udføre dette.

NL

Lees voorafgaand aan de montage zorgvuldig deze handleiding en controleer of alle onderdelen aanwezig en in goede staat zijn.

Montage

Het product moet volgens de tekeningen in de handleiding worden geïnstalleerd. Er zijn ten minste twee personen nodig om een veilige montage te waarborgen. Benodigd gereedschap: waterpas, zaag, handschoenen, veiligheidsbril, snoerloze boormachine met boor- en schroevendraaierbits, rolmaat, potlood, trapladder, sleutelset, vijl. Boor schroefgaten vóór om spleten van het hout te voorkomen.

Installatie

Het product is bedoeld voor gebruik met "Jesper Tower+roof" (MV70-1212-2). Het product moet geïnstalleerd worden op een zacht oppervlak dat bedekt is met geschikt materiaal: zand, schors of goed onderhouden gras. De poten van het product moeten vastgemaakt worden aan de betonnen verankering (zoals afgebeeld).

De poten moeten niet in zand of een ander zacht materiaal worden gezet omdat dan niet een voldoende stabiliteit kan worden gegarandeerd.

Verankering

Het product moet in de grond verankerd zijn om stabiel te staan. Graaf putten van 400 mm diep en een diameter van 600x600mm op de plaats waar de poten komen. Leg een laagje grint op de bodem van het gat om de drainage te verbeteren. Giet dan beton in het gat tot 50 mm onder het maaiveld. Wanneer het beton hard is, vul het gat dan aan met een laag zand totdat het gelijk is met de grond er omheen.

Gebruik

Alle uitstekende schroeven en scherpe randen moeten onmiddellijk na montage worden glad geschuurd om mogelijke verwondingen te voorkomen. De hoogte van het zijte van de schommel (350 mm) en de algehele staat van het speeltoestel moeten dagelijks worden gecontroleerd. Minimaal elke drie maanden moet de stabiliteit, slijtage van de bewegende delen en de sterkte van de verbindingen worden gecontroleerd. De staat van het basismateriaal, roest van metalen onderdelen of verrotting van het hout moet één keer per jaar worden gecontroleerd. Bewegende delen moeten worden geolied en versleten of defecte onderdelen moeten worden vervangen door onderdelen die de fabrikant levert. Bouten moeten worden aangetrokken, touwen worden vastgesnoerd.

Wij adviseren om 's winters alle toebehoren te verwijderen en op te slaan omdat de grond, als deze bevroren is, niet geschikt is om veilig op te spelen. Plaats de schommel, om te voorkomen dat deze opwarmt, niet in de richting van de zon. Controleer bij warm weer of het oppervlak van de zitting niet te heet is.

Waarschuwingen.

- Niet geschikt voor kinderen jonger dan 3 jaar. Risico op vallen.
- Gebruiken onder direct toezicht van een volwassene. Lange touwen. Strangleringsfare.
- Uitsluitend voor huishoudelijk gebruik en voor buiten.
- Te monteren door een volwassene.
- Bedoeld voor kinderen van 3 tot 14 jaar (max 50 kg/kind).
- Het product is ontworpen voor gelijktijdig gebruik van maximaal 1 personen.

Waarschuwing!

- Onderdelen van kledingstukken die een verhoogd risico veroorzaken, zoals capuchons, knopen etc., kunnen blijven haken bij gebruik van het product en kunnen daardoor bij de spelende kinderen verstikkingsgevaar veroorzaken.
- Houten versieringen kunnen aan de uiteinden gebreken vertonen evenals scherpe randen.
- Telkens voordat u het speeltoestel gaat gebruiken, dient u te controleren of de verankering nog stevig is.

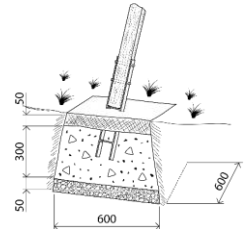
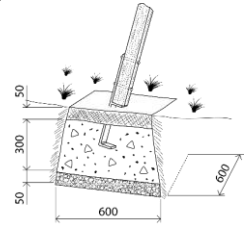
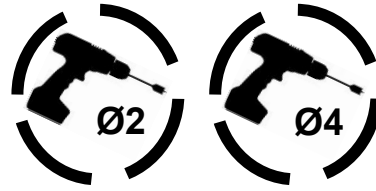
Nota bene! De constructie mag niet worden gewijzigd zonder toestemming van de fabrikant, omdat daardoor het gevaar ontstaat van ernstige verwondingen. Deze handleiding dient bewaard te worden om toekomstige discussies te vermijden.

Voor uw informatie: Hout is een natuurlijk product. Het is gevoelig voor omgevingsveranderingen. Fluctuaties in temperatuur en luchtvochtigheid kunnen veroorzaken dat het hout splijt of vervormt, met name wanneer het gaat om machinaal bewerkte houtproducten. Dit heeft echter doorgaans geen invloed op de sterkte van het hout. De schommel mag slechts één keer worden geïnstalleerd.

BEHANDELD HOUT DAT EEN BIOCIDEN BEVAT. Bescherming tegen hout-aantastende organismen.

Actieve bestanddelen: kopercarbonaat/koperhydroxide (1:1) en boorzuur.

Vermijd het inademen van zaagsel. Zorg dat het hout niet in contact komt met drinkwater of voedsel. Gebruik snippers van dit hout niet als bodem in dierverblijven, gebruik het hout niet in een visvijver. Verduurzaamd hout kan niet bij het gewone afval. Industrieel afval moet worden afgevoerd via een erkend afvalverwerkingsbedrijf.

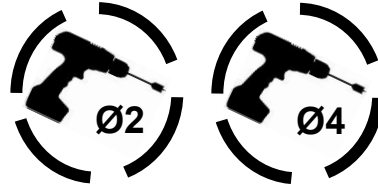


PT

Leia atentamente as instruções antes da montagem e verifique o número e a condição das partes.

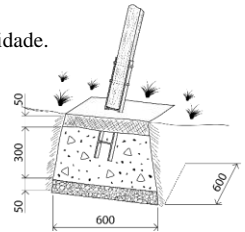
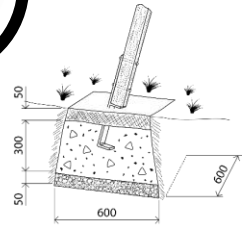
Montagem

O produto deve ser instalado de acordo com as imagens incluídas no manual. São necessárias pelo menos duas pessoas para garantir a segurança da montagem. Para a montagem é necessário nível, serra, luvas protetoras, óculos de segurança, berbequim sem fio com brocas e chaves de fenda, fita métrica, lápis, escada, conjunto de chave inglesa, lixa. Antes de apertar, faça o furo com o berbequim para evitar rachaduras na madeira.



Instalação

O produto destina-se a ser utilizado com "Jesper Tower+roof"(MV70-1212-2). O produto deve ser instalado sobre uma superfície lisa coberta com um material apropriado: areia, cortiça ou relva bem conservada. As pernas do produto devem ser fixadas às âncoras betonadas (conforme indicado na imagem). Os pés não devem ser colocados sobre a areia ou outro material de superfície macia, pois pode não garantir a suficiente estabilidade.



Efeito de ancoragem

Para garantir a estabilidade, o produto deve ser ancorado ao solo. Cavar no solo no local dos buracos das pernas com 400 mm de profundidade e com a secção transversal de 600x600 mm. Deite uma camada de cascalho para o fundo do buraco para melhorar a absorção de água da chuva no solo. Em seguida, despeje cimento no buraco, até 50 milímetros abaixo do nível do solo. Quando o cimento secar, coloque uma camada de terra sobre ele até o nível do solo.

Utilização

Todos os parafusos salientes e rebordos afiados devem ser aplainados de forma a ficarem lisos imediatamente após a instalação para evitar possíveis lesões. A altura do assento do baloiço (350 mm), bem como o estado geral do conjunto deve ser verificado numa base diária. A estabilidade, o desgaste das partes móveis e a força das ligações devem ser verificados pelo menos a cada 1 a 3 meses. A adequação do material de base, a corrosão de acessórios e o eventual apodrecimento das peças de madeira devem ser verificados uma vez por ano. As peças de movimento devem ser oleadas e verificado o desgaste e/ou substituídas as peças com defeito por peças fornecidas pelo fabricante. Os parafusos e os cabos devem ser apertados.

Aconselhamos a remoção e armazenamento de todos os acessórios durante o inverno, porque as características do solo (quando congelado) não são adequados para uma utilização em segurança. Para evitar que o baloiço aqueça, não deve colocá-lo de frente para o sol. No tempo quente, verifique se o assento não está muito quente.

Avisos.

- **Contra-indicado para crianças com menos de 3 anos. Risco de queda.**
- **A utilizar sob a vigilância directa de adultos. Cordas. Risco de estrangulamento.**
- **Apenas para uso doméstico no exterior.**
- **Necessária montagem por um adulto.**
- **Destinado a crianças entre 3 e 14 anos (max 50 kg/utilizador).**
- **O produto é projetado para uso simultâneo até 1 pessoas.**

Atenção!

- **As peças de vestuário que causam aumento de perigo, tais como capuzes, botões, etc., podem ficar presas durante a utilização do produto e, portanto, podem apresentar um risco de asfixia para o utente.**
- **Os detalhes de madeira poderão ter rasgos e extremidades ou pontas afiadas.**
- **Antes de cada utilização do parque infantil, deverá certificar-se que a ancoragem continua segura.**

NOTA! A estrutura não deve ser alterada sem a autorização do fabricante, caso contrário, existe o risco de ferimentos graves. Estas instruções devem ser mantidas a fim de evitar conflitos posteriores.

Para sua informação: A madeira, sendo um material natural, é sensível às alterações ambientais. As flutuações das condições de temperatura e de tempo podem causar a rachadura ou endurecimento da madeira - particularmente no caso de produtos de madeira de corte da máquina. No entanto, isto geralmente não afeta a resistência da madeira. O projeto do balanço é previsto apenas para uma única instalação.

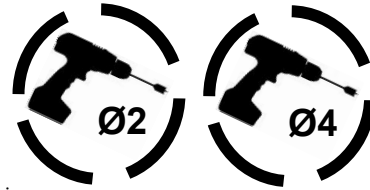
MADEIRA TRATADA CONTENDO PRODUTO BIOCIDA. Controlo de organismos destruidores da madeira.

Ingredientes ativos: carbonato de cobre / hidróxido de cobre (1: 1) e ácido bórico.

Evitar a inalação da serragem. Não utilizar em contacto com água potável ou para contacto direto com alimentos. Não use em camas para animais ou em viveiros de peixes. Descarte a madeira tratada de forma responsável. Os resíduos industriais devem ser eliminados através de um contator de resíduos autorizado.

CZ

Před montáží si přečtěte tyto pokyny a zkontrolujte počet a stav dílů.



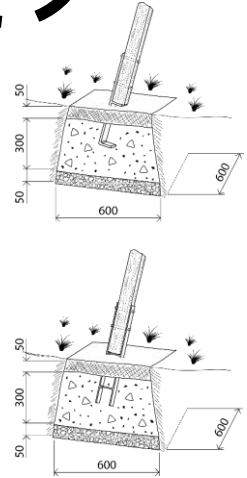
Montáž

Výrobek je nutno nainstalovat dle nákresu v manuálu. K zajištění bezpečné montáže jsou zapotřebí nejméně dva lidé. Při montáži budete potřebovat vodováha, pila, ochranné rukavice, bezpečnostní brýle, bezdrátová vrtačka s vrtáky a šroubovacími bity, svinovací metr, tužka, štafle, sada klíčů, pilník. Aby ve dřevě nedošlo ke vzniku prasklin, vyvrtejte do něj před šroubováním otvor.

Instalace

Výrobek je určen pro použití spolu s "Jesper Tower+roof" (MV70-1212-2). Výrobek musí být instalován na měkkém povrchu s vhodným podkladem: písek, kůra nebo udržovaný trávník.

Nohy výrobku musí být připevněny k zabetonovaným kotvám (jak je znázorněno na obrázku). Podpěry nesmí být zasunuty do písku nebo jiného měkkého povrchu, protože by tak nemohla být zaručena dostatečná stabilita.



Ukotvení

Pro zajištění stability výrobku musí být výrobek ukotven v zemi. Otvory v zemi, v nichž jsou umístěny nohy výrobku, musí být 400 mm hluboké a široké 600x600 mm. Hoďte na dno jámy vrstvu šterku, čímž dojde ke zlepšení absorpce dešťové vody do půdy. Poté do jámy lijte beton, přestaňte 50 mm pod úroveň terénu. Když už bude beton skoro suchý, umístěte na něj vrstvu půdy až do úrovně terénu.

Použití

Aby se předešlo možným zraněním, musí být všechny vyčnívající šrouby a ostré hrany ihned po instalaci hladce zarovnané. Denně je třeba kontrolovat výšku sedadla houpačky (350 mm), jakož i celkový stav sestavy. Nejméně jednou za 1 až 3 měsíce by měla být kontrolována stabilita, opotřebení pohybujících se dílů a pevnost spojů. Jednou ročně by měla být kontrolována vhodnost podkladového materiálu, koroze příslušenství a tleni dřevěných dílů. Pohybující se díly musí být naolejovány a opotřebované nebo vadné díly by měly být vyměněny za díly dodávané výrobcem. Šrouby se musí dotahovat, provazy se musí utahovat.

V zimním období doporučujeme veškeré příslušenství sejmout a uskladnit, protože vlastnosti půdy (po zmrazení) nejsou vhodné pro bezpečné hraní. Aby se předešlo ohřívání houpačky, nevystavujte ji přímému slunečnímu záření. Za teplého počasí zkontrolujte, zda není povrch sedadla příliš horký.

Upozornění.

- **Nevhodné pro děti do 3 let. Nebezpečí pádu.**
- **Používat pouze pod dohledem dospělé osoby. Lana. Nebezpečí uškrtení.**
- **Jen pro domácí, venkovní použití.**
- **Nutné sestavení hračky dospělou osobou.**
- **Tento výrobek je určen pro děti ve věku od 3 do 14 let (max 50 kg) a pouze pod dohledem dospělých.**
- **Výrobek je určen pro současné použití až 1 osobami.**

Varování!

- **V průběhu používání výrobku se do něj mohou zachytit části oblečení způsobující zvýšené nebezpečí, jako jsou kapuce, knoflíky atd., a mohou proto pro svého nositele představovat riziko udušení.**
- **Dřevěné části mohou obsahovat drobná vytrhaná vlákna nebo ostré konce a hrany.**
- **Před každým použitím hřiště se ujistěte, že je ukotvení pevné.**

Upozornění! Konstrukci NELZE bez souhlasu výrobce měnit, jinak hrozí riziko vážného zranění. Aby se předešlo pozdějším sporům, měly by být tyto pokyny uchovány.

Pro vaši informaci: Dřevo je jako přírodní materiál citlivé na změny prostředí. Kolísání teplot a povětrnostní podmínky mohou způsobit, že se dřevo rozštěpí a tvrdne – zejména v případě strojově řezaných výrobků ze dřeva. Obecně to však nemá vliv na pevnost dřeva. Tento design houpačky je předpokládán pouze pro jednorázovou instalaci.

OŠETŘENÉ DŘEVO OBSAHUJE BIOCIDNÍ PŘÍPRAVEK. Přípravek proti organismům ničícím dřevo.

Aktivní složky: uhličitan měďnatý / hydroxid měďnatý (1:1) a kyselina boritá.

Zabraňte vdechování pilin. Nepoužívejte v kontaktu s pitnou vodou nebo pro přímý kontakt s potravinami. Nepoužívejte jako podestýlku zvířat nebo v chovných rybnících. Ošetřené dřevo zlikvidujte zodpovědně. Průmyslový odpad by měl být zlikvidován prostřednictvím oprávněného zpracovatele odpadu.

PL

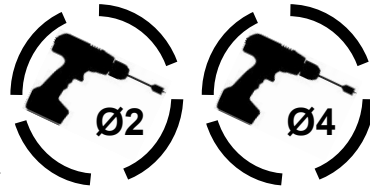
Zanim rozpoczniesz montaż, zapoznaj się dokładnie z niniejszą instrukcją i sprawdź ilość i stan poszczególnych części.

Montaż

Produkt należy zamontować zgodnie z rysunkami zawartymi w instrukcji obsługi.

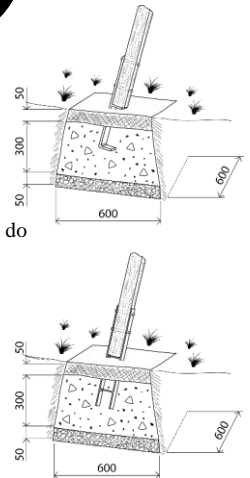
W celu zapewnienia bezpieczeństwa do montażu potrzeba przynajmniej dwóch osób.

Wymagane narzędzia: poziomica, piła, rękawice ochronne, okulary ochronne, wiertarko-wkrętarka z wiertłami i śrubokrętami, taśma miernicza, ołówek, drabina ze stopniami, zestaw kluczy, pilnik. Aby uniknąć pęknięć w drewnie, przed przykręceniem wywierć otwór.



Instalacji

Produkt należy używać wraz z „Jesper Tower+roof” (MV70-1212-2). Produkt należy instalować na gładkiej powierzchni pokrytej odpowiednim materiałem: piaskiem, korą drzewną lub dobrze utrzymaną trawą. Nogi produktu należy przymocować do betonowych kotew (tak jak pokazano na rysunku). Nie wolno osadzać nóg huśtawki w piasku ani innej miękkiej nawierzchni, która nie zapewni wystarczającej stabilności.



Zakotwiczenie

Aby zapewnić stabilność, produkt powinien być zakotwiony w ziemi. Wkopać w ziemię w miejscu nóg otwory o głębokości 400 mm i wymiarach 600x600mm. Dno wypełnij warstwą żwiru, aby poprawić absorpcję wody deszczowej. Otwory zalej betonem do głębokości 50 mm poniżej poziomu ziemi. Po wyschnięciu betonu wypełnij pozostały otwór ziemią.

Użytkowanie i konserwacja

Oszlifuj wystające śruby i ostre krawędzie natychmiast po zakończeniu montażu, aby zapobiec potencjalnym obrażeniom. Codziennie sprawdzaj wysokość siedzenia huśtawki (350 mm) oraz ogólny stan zestawu huśtawkowego. Stabilność, zużycie części ruchomych oraz wytrzymałość połączeń należy sprawdzać nie rzadziej niż co 1 do 3 miesięcy. Raz w roku sprawdzaj produkt pod kątem adekwatności materiału bazowego, korozji oprzyrządowania oraz butwienia części drewnianych. Części ruchome należy regularnie oliwić a części zużyte bądź wadliwe należy zastępować częściami oferowanymi przez producenta. Śruby muszą być dokręcone a liny napięte.

Na okres zimowy zaleca się demontaż i magazynowanie huśtawek ze względu na zamarzanie gruntu, które uniemożliwia bezpieczne korzystanie z urządzenia. Nie należy ustawiać placu zabaw w miejscu narażonym na ciągłe nasłonecznienie, aby uniknąć nagrzewania. W gorące dni należy sprawdzać, czy siedzenia nie są zbyt gorące.

Ostrzeżenia.

- Nie nadaje się dla dzieci w wieku poniżej 3 lat. Ryzyko upadku.
- Do użytku pod bezpośrednim nadzorem osoby dorosłej. Sznurki. Niebezpieczeństwo zadziergnięcia.
- Wyłącznie do użytku domowego w warunkach zewnętrznych.
- Wymagany montaż przez osobę dorosłą.
- Przeznaczony dla dzieci od 3 do 14 lat (maksymalnie 50 kg/użytkownik).
- Produkt opracowano do jednoczesnego użytku przez maksymalnie 1 osób.

Uwaga!

- Kaptury, guziki itp. i inne części odzieży, które mogą się zahaczyć w trakcie zabawy zwiększają ryzyko wypadku i mogą doprowadzić do uduszenia.
- Na elementach drewnianych mogą wystąpić drzazgi, ostre krawędzie i końce.
- Przed skorzystaniem z placu zabaw, zawsze sprawdzaj czy produkt jest stabilny i poprawnie zakotwiczony.

UWAGA! NIE WOLNO zmieniać konstrukcji produktu bez zgody producenta – ryzyko poważnych obrażeń! Przechowuj instrukcję w bezpiecznym miejscu, by uniknąć późniejszych sporów.

Informacje: Drewno, jako produkt naturalny, jest wrażliwe na zmiany środowiska. Zmienne temperatury i warunki pogodowe mogą doprowadzić do pękania i twardnienia drewna, zwłaszcza w ciętych maszynowo produktach drewnianych. Zazwyczaj nie wpływają jednak na wytrzymałość drewna. Ten model huśtawki przewidziano wyłącznie do jednorazowego montażu.

DREWNO IMPREGNOWANE ZAWIERA PRODUKT BIOBÓJCZY. Kontrola organizmów niszczących drewno.

Składniki aktywne: tlenek miedzi / wodorotlenek miedzi (1:1) i kwas borowy.

Unikaj wdychania trocin. Trzymaj wodę pitną i produkty żywnościowe z dala od kontaktu z drewnem. Nie używaj na legowisko dla zwierząt ani do stawów rybnych. Utylizuj odpady z drewna impregnowanego odpowiedzialnie. Odpadów przemysłowych należy pozbywać się wyłącznie za pośrednictwem autoryzowanego kontraktora gospodarki odpadami.

LT

Prieš montavimą atidžiai perskaitykite šį vartotojo vadovą ir patikrinkite dalių skaičių ir būklę.

Surinkimas

Gaminys turi būti įrengtas pagal vadove pridėtus brėžinius. Susirinkimo saugumą turi užtikrinti bent du suaugę. Montuojant reikalinga gulsčiukas, pjūklas, apsauginės pirštinės, apsauginiai akiniai, akumuliatorinis gręžtuvas su gražteliais ir atsuktuvo antgaliais, ruletė, pieštukas, sudedamos kopėčios, veržliarakčių rinkinys, dildė. Siekiant išvengti medienos įtrūkimų, prieš įsukant varžtus patartina išgręžti jiems skylutes.

Montavimas

Gaminys skirtas naudoti kartu su „Jesper Tower+roof“(MV70-1212-2). Gaminys turi būti įrengtas ant lygaus paviršiaus, padengto tinkama medžiaga: smėliu, žievėmis arba gerai prižiūrėta žole. Gaminio kojelės turi būti pritvirtintos prie betonuotų inkarų (kaip parodyta brėžinyje). Bėgūnų negalima montuoti į smėlį ar kitą minkštą gruntą, kadangi tai gali neužtikrinti pakankamo stabilumo.

Įtvirtinimas ankeriais

Gaminys turi būti įtvirtintas žemėje, kad būtų stabilus. Kojelių angų vietoje iškaskite 400 mm gylio ir 600 x 600 mm skersmens duobę. Duobės apačioje klokite žvyro sluoksnį, kad pagerėtų lietaus vandens absorbcija dirvožemyje. Tada ant duobės dugno dėkite betoną iki 50 mm žemiau žemės lygio. Kai betonas išdžius, dėkite ant jo dirvožemio sluoksnį, kad susilygintų su žemės lygiu.

Naudojimas

Siekiant išvengti galimų traumų, visi išsikišantys varžtai ir aštrūs kampai turi būti apdailinti iš karto po montavimo. Sūpynės sėdynės aukštis (350 mm) taip pat bendra rinkinio būklė turi būti tikrinami kasdien. Stabilumas, judamųjų dalių susidėvėjimas ir jungčių stiprumas turi būti tikrinami ne rečiau kaip kas 1-3 mėnesius. Pagrindo medžiagos tinkamumas, priedų korozija ir medinių dalių puvinas turi būti tikrinami kartą per metus. Judamosios dalys turi būti suteptos, o susidėvėjusios ir/ ar sugedusios dalys turi būti pakeistos gamintojo tiekiamomis dalimis. Varžtai turi būti gerai priveržti, o virvės gerai pririštos.

Visus priedus rekomenduojame nuimti ir saugoti žiemą, nes dėl žemės ypatumų (kai ji yra išalusi) žaisti nesaugu. Kad sūpynės neįkaistų, nelaikykite jų saulėje. Esant šiltam orui, patikrinkite sėdynę, ar ji nėra įkaitusi.

Įspėjimai.

- Netinka vaikams iki 3 metų. Rizika pargriūti.
- Galima naudoti tik prižiūrint suaugusiesiems. Lynai. Pavojus pasismaugti.
- Tik buitiniam naudojimui, lauke.
- Surinkti turi suaugusieji.
- Tinka nuo 3 iki 14 metų vaikams (ne daugiau kaip 50 kg).
- Produktas skirtas naudoti vienu metu 1 asmenims.

Dėmesio!

- Drabužių elementai, sukeltys didesnę pavojų, pavyzdžiui, gaubtai, sagos ir t.t., gaminio naudojimo metu gali įstrigti ir sukelti naudotojo uždegimo pavojų.
- Medinėse detalėse gali būti atplaišų, aštrių kampų ir kraštų.
- Kiekvieną kartą prieš naudodami žaidimų aikštelę turėtumėte įsitikinti, kad ankeriai laiko patikimai.

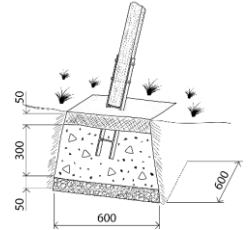
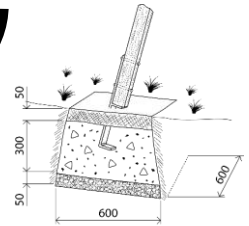
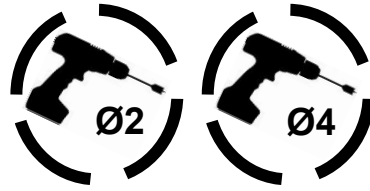
NB! Konstrukcija NETURI BŪTI keičiama be gamintojo sutikimo, priešingu atveju didėja susižeidimo pavojus. Siekiant išvengti vėlesnių ginčų, šios instrukcijos turi būti išsaugojamos.

Jūsų žiniai:Mediena, kaip natūrali medžiaga, yra jautri aplinkos pokyčiams. Temperatūros ir oro sąlygų svyravimai gali sukelti medienos sutrūkinėjimą ir sukietėjimą – ypač mechaniniu būdu pjaustytų medienos produktų atveju. Tačiau tai paprastai neturi įtakos medienos stiprumui. Šios konstrukcijos sūpuoklės gali būti įrengtos tik vieną kartą.

APDOROTA MEDIENA SU BIOCIDINIŲ PREPARATU. Skirtas medieną naikinančių organizmų kontrolei.

Veikliosios medžiagos: vario karbonatas / vario hidroksidas (1:1) ir boro rūgštis.

Neįkvėpti pjuvenų dulkių. Saugoti nuo kontakto su geriamuoju vandeniu ir nuo tiesioginio kontakto su maistu. Nenaudoti kaip pjuvenų gyvūnams. Atsakingai utilizuoti apdorotą medieną. Pramonines atliekas utilizuoti per įgaliojamą atliekų perdirbimo įmonę.



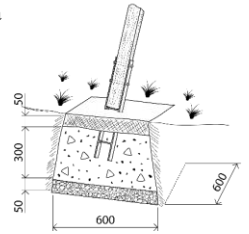
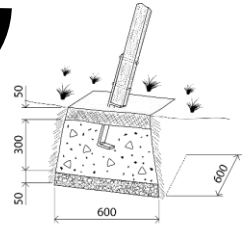
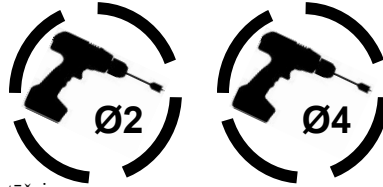
LV

Pirms uzstādīšanas, izlasiet šo rokasgrāmatu un pārbaudiet sastāvdaļu atbilstību un skaitu.

Montāža

Produkts jāuzstāda saskaņā ar rokasgrāmatā iekļautajiem rasējumiem.

Lai uzstādīšana noritētu droši, tā ir jāveic vismaz diviem pieaugušajiem. Montāžai nepieciešams: līmenrādis, zāģis, aizsargcimdi, aizsargbrilles, bezvadu urbīmašīna ar urbjiem un skrūvgriežiem, mērlente, zīmulis, pieslienamās kāpnes, uzgriežņu atslēgu komplekts, vīle. Lai novērstu koka plaisāšanas risku, lūdzam skrūvju vietās iepriekš izurbt atbilstošus caurumus.



Uzstādīšana

Produkts paredzēts lietošanai ar "Jesper Tower+roof"(MV70-1212-2). Produkts jāuzstāda uz gludas virsmas, kas pārklāta ar piemērotu materiālu: smiltīm, mizu vai labi koptu zāli.

Produkta kājas jāpiespīrina pie iebetonētiem enkuriem (kā parādīts rasējumā). Tās nedrīkst uzstādīt smiltīs vai uz citām mīkstām virsmām, jo tās nenodrošina pietiekamu stabilitāti.

Noenkurošana

Lai nodrošinātu stabilitāti, produktam jābūt noenkurotam zemē. Kāju stiprinājumu vietā izrociet augsni 400 mm dziļumā, 600x600 mm platumā. Bedru pamatnes izklāt ar šķembu kārtu, kas uzlabo ūdens iesūkšanos gruntī. Tad piepildīt bedri ar betonu tā, lai līdz zemes virsmas līmenim paliktu 50 mm. Pēc betona sacietēšanas aizpildīt virs betona esošo bedres daļu ar grunts materiālu.

Izmantošana

Visi stieples gali, kas nāk ārā no konstrukcijas, kā arī asās malas tūlīt pēc uzstādīšanas ir jānogludina ar vīli, lai izvairītos no iespējamām savainojumiem. Katru dienu ir jāpārbauda šūpoļu sēdekļa augstums (350 mm) kā arī vispārējais stāvoklis. Ik pēc 1-3 mēnešiem ir jāpārbauda šūpoļu stabilitāte, kustīgo detaļu nolietojums, kā arī savienojumu stiprums. Reizi gadā ir jāpārbauda pamatmateriālu atbilstība, kā arī, vai uz detaļām nav izveidojusies korozija un, vai uz koka daļām nav parādījusies puve. Kustīgās detaļas ir jāieļļo un nolietotajās un/ vai bojātās detaļas ir jānomaina pret ražotāja piedāvātajām detaļām. Bultskrūves un virves ir jānosprīgo.

Iesakām ziemas laikā visus piederumus noņemt un novietot uzglabāšanai, jo (sasalusi) augsne nav droša rotaļām. Lai novērstu šūpoļu sakaršanu, nenovietojiet tās pret sauli. Siltā laikā pārbaudiet, vai sēdekļa virsma nav pārāk karsta.

Brīdinājumi.

- Nav piemērots bērniem līdz 3 gadu vecumam. **Nokrišanas risks.**
- Izmantot vienīgi tiešā pieaugušo uzraudzībā. **Auklas. Nožņaugšanās risks.**
- Izmantot tikai mājās ir paredzēts lietošanai ārā.
- Jāsaliel pieaugušam cilvēkam.
- Piemērots bērniem vecumā no 3-14 gadiem (ne vairāk par 50 kg).
- Šūpoles ir paredzētas līdz 1 lietotājam.

Uzmanību!

- Papildu risku rada vaļīgs apģērbs, kapuce, auklas, utt., kas, spēlējoties, var sapīties, līdz ar to pastāv nosmakšanas risks.
- Koka detaļām var būt skabargas, asi gali un malas.
- Katru reizi pirms šūpoļu lietošanas pārlicinieties, ka enkurojums ir drošs.

NB! AIZLIEGTS mainīt konstrukciju bez ražotāja piekrišanas. Šī rokasgrāmata ir jāsaņem, lai novērstu iespējamus strīdus.

Zināšanai! Koks ir dabīgs materiāls un tas ir jutīgs pret vides izmaiņām. Temperatūras un laika apstākļu izmaiņas var izraisīt koka plaisāšanu un lūšanu, kas īpaši attiecas uz koka izstrādājumiem, kas ir apstrādāti ar mehānisko frēzi, taču tas neietekmē koka vispārējo cietību. Šūpoles ir paredzētas tikai vienreizējai uzstādīšanai.

APSTRĀDĀTA KOKSNE, KAS SATUR BIOCĪDA PRODUKTU. Koksni noārdošo organismu kontrole

Aktīvās sastāvdaļas: vara karbonāts / Vara hidroksīds (1:1) un borskābe.

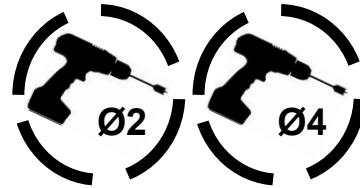
Neieelpojiet zāģu skaidas. Nelietot saskarē ar dzeramo ūdeni vai tiešā saskarē ar pārtikas produktiem. Neizmantojiet dzīvnieku pakaišiem vai zivju diēkos. Izmetiet apstrādāto koksni atbildīgi. Rūpnieciskie atkritumi jāizmet ar pilnvarota atkritumu apsaimniekotāja palīdzību.

RU

До установки прочтите данную инструкцию и проверьте соответствие и количество деталей.

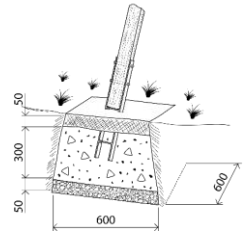
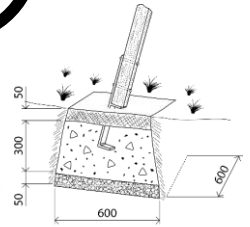
Монтаж

Монтаж изделия выполняется в соответствии с чертежами из инструкции по сборке. Для осуществления надежного монтажа требуется не менее двух человек. При монтаже нужны спиртовой уровень, пила, защитные перчатки и очки, аккумуляторная дрель со сверлами и битами, мерная рулетка, карандаш, стремянка, набор гаечных ключей, напильник. Для избежания трещин в древесине просверлите отверстие для винта.



Установка

Изделие предназначено для использования с комплектом Jesper Tower+roof (MV70-1212-2). Изделие устанавливается на ровную поверхность с подходящим покрытием: песок, кора или подстриженный газон. Стойки изделия крепятся к установленным в бетон анкерам (как показано на чертеже). Полозья нельзя закапывать в песок или иную мягкую почву, поскольку при этом не может быть достигнута достаточная стабильность качелей.



Анкерная фиксация

Для обеспечения устойчивости изделие необходимо закрепить в грунте анкерами. В месте расположения стоек следует выкопать ямы сечением 600×600 мм и глубиной 400 мм. Затем нужно поместить на дно ямки слой гравия для упрощения впитывания дождевой воды в почву. После этого в ямку следует залить бетон, пока до поверхности земли не останется 50 мм. Когда бетон высохнет, на него нужно насыпать слой почвы до поверхности земли.

Использование

Всевозможные выступающие нарезы и острые края необходимо сразу после установки сгладить напильником с целью избежание повреждений в дальнейшем. Ежедневно следует проверять высоту сидения качелей (350 мм) и общее состояние. Через 1-3 месяца, но не реже, необходимо проверять стабильность качелей, износ подвижных частей и прочность соединений. Один раз в год следует проверять пригодность материала основания, коррозию принадлежностей и загнивание деревянных деталей. Подвижные части следует смазывать маслом, а изношенные и/или дефектные детали – заменять деталями, предлагаемыми производителем. Следует затягивать болты и натягивать канаты.

Просим на зимний период снимать все аксессуары и хранить их в помещении с постоянной температурой. Замерзшая поверхность земли непригодна для безопасных игр. Просим защищать аксессуары качелей от солнца. Постоянные солнечные лучи повреждают изделие, и оно будет слишком горячим для детей. В солнечную погоду следует проверять температуру поверхностей перед использованием.

Предупреждение!

- Детям до 3 лет пользование изделием запрещено. Риск падения.
- Пользоваться только под присмотром взрослых. Веревки. Опасность повешения.
- Качели предусмотрены для использования только в частных хозяйствах во внешних условиях.
- Сборка должна быть произведена совершеннолетними людьми.
- Изделие предназначено для использования детьми в возрасте от 3 до 14 лет или 50 кг.
- Качелями могут одновременно пользоваться не более чем 1 человек.

Внимание!

- Дополнительную опасность представляют не застегнутые детали одежды – капюшоны, шнурки и т.п., которые могут во время игры зацепиться за что-либо, что угрожает играющему удушью.
- У деревянных деталей могут присутствовать занозы, острые углы и концы.
- Перед каждым использованием проверить крепления земляных анкеров.

NB! В конструкцию НЕЛЬЗЯ вносить изменения без согласия изготовителя. Данную инструкцию необходимо обязательно сохранить во избежание позднейших споров.

К сведению! Древесина как природный материал чувствительна к изменениям окружающей среды. Изменения температуры и погодных условий могут вызвать растрескивание и искривление древесины, особенно в случае деревянных изделий, подвергнутых машинной фрезеровке. Но в общем это не влияет на прочность древесины. Данная конструкция качелей предназначена для однократной установки.

ПРОПИТАННАЯ ДРЕВЕСИНА, КОТОРАЯ СОДЕРЖИТ БИОЦИДНЫЕ ЭФФЕКТЫ ПРОДУКТА для остановки дроворазрушающих организмов.

Ингредиенты : карбонат меди / гидроксид (1:1) и борная кислота.

При распиливание нельзя вдыхать пыль. Нельзя использовать в условиях контакта с питьевой водой и пищевыми продуктами. Нельзя использовать в качестве подстилки для животных или для рыболовства. Пропитанную древесину нужно утилизировать ответственно. Промышленные отходы нужно отправить для утилизации через уполномоченного подрядчика.

ET

Enne paigaldust lugege läbi antud juhend ning kontrollige detailide vastavust ja arvu.

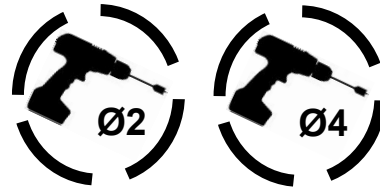
Montaaž

Toode tuleb monteerida vastavalt juhendis olevatele joonistele.

Turvaliseks monteerimiseks on vajalik vähemalt kaks täiskasvanut.

Vesilood, saag, kaitsekindad, kaitseprillid, akutrell puuride ja kruvitsatega, mõõdulint, pliiaats, treppredel, mutrivõtmete komplekt, viil.

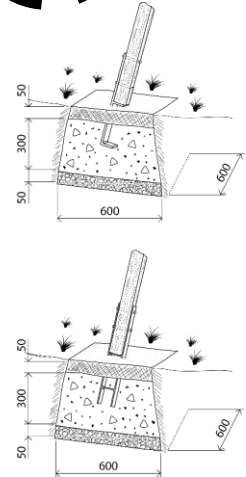
Puidu pragude vältimiseks, palun puurida kruvidele ette ava.



Paigaldus

Toode on mõeldud kasutamiseks koos "Jesper Tower+Roof"-ga (MV70-1212-2). Toode tuleb paigaldada siledale pinnale, mis on kaetud sobiva materjaliga: liiv, puidukoor või hästi hooldatud muru.

Toote jalased tuleb kinnitada maasse betoneeritud ankrute külge (vastavalt joonisele). Jalaseid ei tohi paigaldada liiva või muuses pehmesse pinnasesse, kuna see ei pruugi tagada piisavat stabiilsust.



Ankurdamine

Stabiilsuse tagamiseks on vaja toode maa külge ankurdata. Pinnasesse tuleb jalgade asukohas kaevata 400mm sügavad augud, ristlõikega 600x600mm. Järgnevalt panna augu põhja kruusakiht, lihtsustamaks vee imbumist pinnasesse. Seejärel betoon kuni 50mm allapoole maapinda. Peale betooni kuivamist katta betoon kuni maapinnani pehme pinnase kihiga.

Kasutus

Kõikvõimalikud väljaulatuvad keermed ja teravad servad tuleb koheselt peale paigaldamist viiliga ümardada, tasandada vältimaks hilisemaid vigastusi.

Igapäevaselt peab kontrollima kiigeistme kõrgust (350 mm) ja üldist olukorda. 1-3 kuu järel, kuid mitte harvemini, peab kontrollima kiige stabiilsust, liikuvate osade kulumist ja ühenduste tugevust. 1 kord aastas peab kontrollima alusmaterjali sobivust, tarvikute korrosiooni ja puitosade mädanemist. Liikuvad osad tuleb õlitada ning kulunud ja/või defektsed osad palume asendada tootja poolt pakutatavatega. Polte ja kõisi peab pingutama.

Palume kõik aksessuaarid talveperioodiks eemaldada ja hoiustada ühtlase temperatuuriga ruumis. Külmunud maapind ei sobi ohutuks mängimiseks. Palume kiigeaksesuaare kaitsta päikese eest. Pidev kiirgus kahjustab toodet ning on lastele kasutamiseks liiga kuum. Päikselise ilmaga palun kontrollida pindade temperatuuri enne kasutamist.

Hoiatused.

- Ei ole sobiv alla 3-aastastele lastele. Kukkumise oht.
- Kasutada ainult täiskasvanu otsese järelevalve all. Nõõrid. Poomisoht.
- Ainult koduseks kasutamiseks. Välistingimustes.
- Nõutav kokkupanek täiskasvanute poolt.
- Sobiv lastele vanuses 3 kuni 14 aastat (max 50kg/kasutaja).
- Toode on mõeldud kuni 1 kasutajale.

Ettevaatust

- Täiendavat ohtu põhjustavad lahtised riideesemed- kapuuts, nõõrid vms., mis võivad mängides takerduda.
- Puitosadel võivad esineda pinnud, teravad servad, otsad.
- Iga kord enne kasutamist kontrollida maa-ankrute kinnitusi.

NB! Konstruksiooni EI TOHI muuta ilma tootja nõusolekuta. Antud juhend tuleb kindlasti säilitada vältimaks hilisemaid vaidlusi.

Teadmiseks! Puit, kui looduslik materjal on tundlik keskkonna muutustele. Temperatuuri ja ilmastiku muutused võivad põhjustada puidu lõhenemist ja kõverdumist - eriti masinfreesitud puittoodete puhul. See aga ei mõjuta üldjuhul puidu tugevust. Antud kiigekonstruktsioon on mõeldud ühekordseks paigaldamiseks.

IMMUTATUD PUIT, MIS SISALDAB BIOTSIIDSE TOIMEGA TOODET puitu hävitavate organismide tõrjeks.
Toimeained: vaskkarbonaat / vaskhüdroksiid (1:1) ja boorhape.

Vältida saagimisel tekkiva tolmu sisse hingamist. Mitte kasutada tingimustes, kus on võimalik kokkupuude joogiveega või vahetu kokkupuude toiduga. Mitte kasutada loomade allapanumaterjalina või kalakasvatustiikides. Immutatud puidu jäätmekäitlus peab toimuma vastutustundlikult. Tööstuslikud jäätmed tuleb saata jäätmekäitluse selleks volitatud töövõtja kaudu.