

POWERPLUS



POWE30040

MINI PLUNGE SAW 500W

MINI INVALZAAG
MINI SCIE PLONGEANTE
MINI TAUCHSÄGE
MINI SIERRA DE INMERSIÓN



IMPORTANT FEATURES

ONE HANDED OPERATION

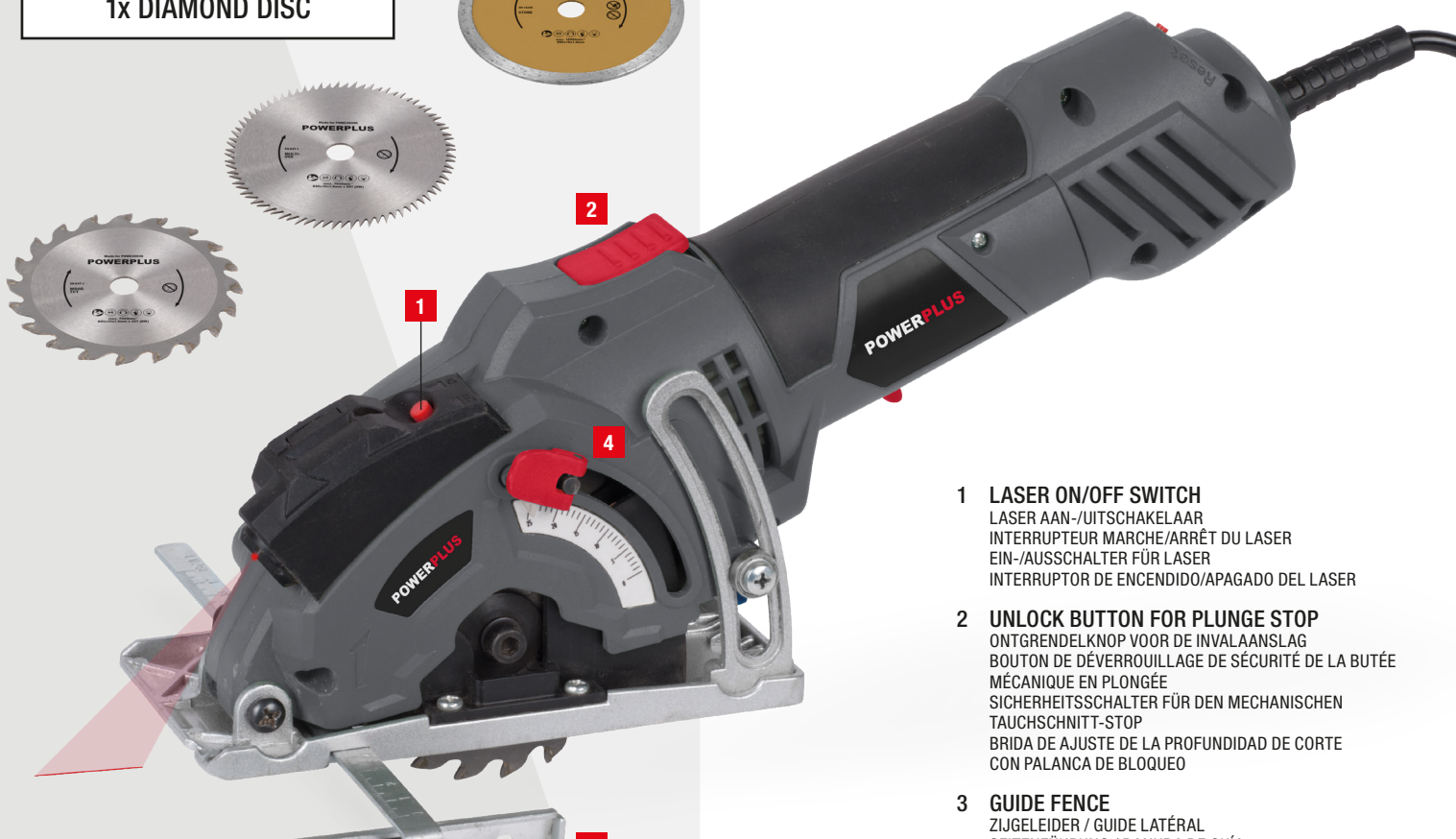
HIGH PRECISION LASER

1x TCT BLADE
1x HSS BLADE
1x DIAMOND DISC

500
WATT

7000
min⁻¹

Ø85
mm



- 1 LASER ON/OFF SWITCH**
LASER AAN-/UITSCHAKELAAR
INTERRUPTEUR MARCHÉ/ARRÊT DU LASER
EIN-/AUSCHALTER FÜR LASER
INTERRUPTOR DE ENCENDIDO/APAGADO DEL LASER
- 2 UNLOCK BUTTON FOR PLUNGE STOP**
ONTGREDELKNOP VOOR DE INVALAANSLAG
BOUTON DE DÉVERROUILLAGE DE SÉCURITÉ DE LA BUTÉE
MÉCANIQUE EN PLONGÉE
SICHERHEITSSCHALTER FÜR DEN MECHANISCHEN
TAUCHSCHNITT-STOP
BRIDA DE AJUSTE DE LA PROFUNDIDAD DE CORTE
CON PALANCA DE BLOQUEO
- 3 GUIDE FENCE**
ZIJGELEIDER / GUIDE LATÉRAL
SEITENFÜHRUNG / RANURA DE GUÍA
- 4 CUTTING DEPTH SETTING CLAMP**
KLEMSCHROEF VOOR HET INSTELLEN VAN DE ZAAGDIEPTE
DISPOSITIF DE RÉGLAGE DE LA PROFONDEUR DE COUPE
EINSTELLKLEMME FÜR DIE SCHNEIDTIEFE
BRIDA DE AJUSTE DE LA PROFUNDIDAD DE CORTE
- 5 DUST ADAPTOR**
AANSLUITING VOOR STOFOPVANG
CONNECTEUR DE L'EXTRACTEUR DE POUSSIÈRE
ANSCHLUSS FÜR STAUBABSAUGUNG
ADAPTADOR PARA POLVO



INCL.

**CUTS THROUGH
DIFFERENT MATERIALS**

- SOFTWOOD
- HARDWOOD
- PLASTICS
- ALUMINIUM
- STONE
- CERAMICS



5

POWERPLUS



POWE30040



MINI PLUNGE SAW 500W

This 500W mini plunge saw fits your hand comfortably thanks to its compact design and light weight. It can be used for sawing wood, plastic, aluminium, stone and tiles. The easy-to-use design of this tool allows for one handed operation.

The cutting depth and angle can be chosen freely. Thanks to the high-precision laser and the parallel guide, making precise cuts can be done easily. With the v-shaped front and rear guide you are able to saw in your desired line.

The POWE30040 has a solid aluminium base and comes with three Ø85mm blades (wood, HSS and diamond) and a vacuum cleaner connector.



TECHNICAL SPECIFICATIONS POWE30040		Features	Box content	Symbols
Rated voltage	230-240V~ 50Hz	<ul style="list-style-type: none"> • One handed operation • Laser • Soft grip • Adjustable angle • Safety guard • Aluminium base 	1x mini plunge saw	 
Rated power	500W		1x TCT blade (mounted)	
Rotation speed	7000min ⁻¹		1x HSS blade	
Blade diameter	85mm		1x diamond disc	
Max. cutting depth	wood: 25mm		1x hex key - 1x side guide	
	steel: 3mm	1x dust adapter		
	plastic: 5mm	1x BMC		
			1x manual	

KREATOR

KREATOR ACCESSORIES COMPATIBLE WITH POWE30040

			
SAW BLADE	SAW BLADE	SAW BLADE	SAW BLADE
KRT020400 SOFT WOOD / HARD WOOD	KRT020500 MULTI-USE	KRT081105 TILES / CERAMICS	KRT082105 STONE / ROOF TILE / CONCRETE

VARO

VARO - VIC. VAN ROMPUY nv - DIY & GARDEN TOOLS
 JOSEPH VAN INSTRAAT 9 - B-2500 LIER - BELGIUM
 TEL +32 (0)3 292.92.92 | FAX +32 (0)3 292.92.72
 INFO@VARO.COM | WWW.VARO.COM

Box (piece)



5 400338 075384 >

Our +50 years of experience guarantee a professional and high quality service.