

POWX075750DB

DUAL BEVEL TELESCOPIC MITRE SAW

2200W | 305mm

TELESCOPISCHE DUBBELVERSTEKZAAG
SCIE Á ONGLET TÉLESCOPIQUE À DEUX BISEAUX
TELESKOPISCHER DOPPELKEGEL GEHRUNGSSÄGE
INGLETADORA TELESCÓPICA CON BISEL DOBLE

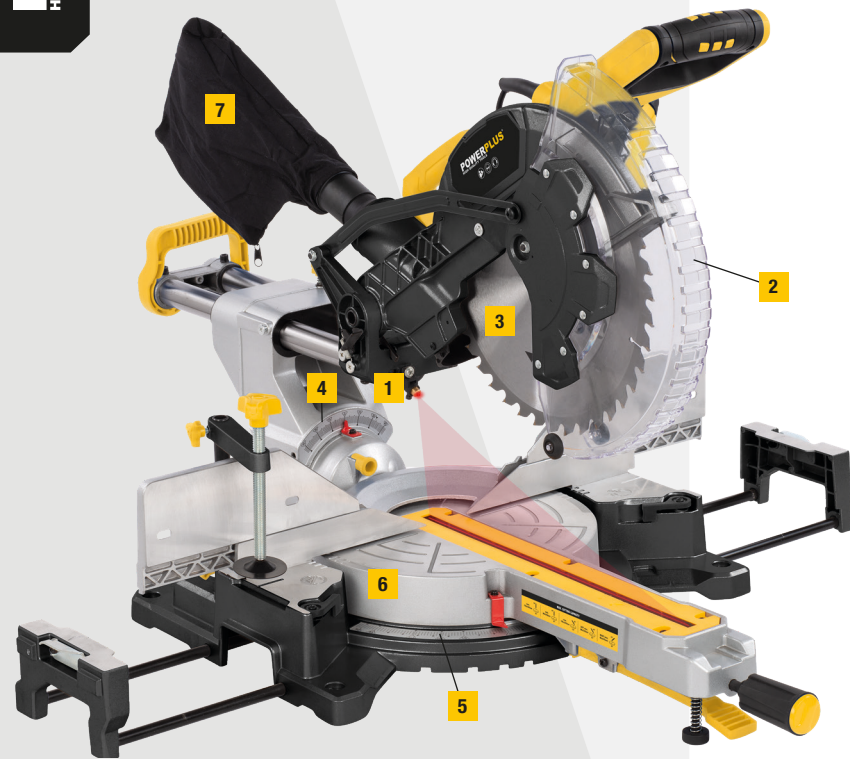


IMPORTANT FEATURES

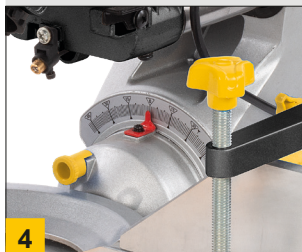
2200 WATT	5000 min ⁻¹	Ø305 mm	3 YEAR WARRANTY
---------------------	----------------------------------	-------------------	------------------------------

POWERPLUS
HIGH QUALITY TOOLS

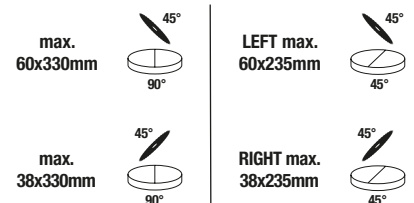
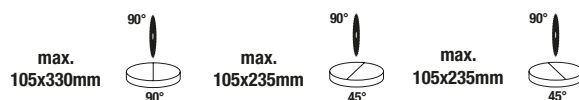
- DUAL BEVEL
- HIGH PRECISION LASER
- ALUMINIUM BASE
- + DUST BAG
- + SAW BLADE



- 1 HIGH PRECISION LASER**
LASER MET HOGE PRECISIE
LASER DE HAUTE PRÉCISION
HOCHGENAUER PRÄZISIONSLASER
LASER DE ALTA PRECISIÓN
- 2 HINGED SAW BLADE GUARD**
SCHARNIERENDE ZAAGBLADKAP
PROTECTEUR DE LAME DE SCIE, ARTICULÉ
SÄGEBLATTSCHUTZ, KLAPPBAR
GUARDA DE LA HOJA DE SIERRA, ARTICULADA
- 3 SAW BLADE 305x30mm - 40T**
ZAAGBLAD 305x30mm - 40 TANDEN
LAME DE SCIE 305x30mm - 40 DENTS
SÄGEBLATT 305x30mm - 40 ZÄHNE
LÁMINA DE SIERRA 305x30mm - 40 DIENTES
- 4 SCALE FOR ACCURATE VERTICAL ANGLE POSITIONING**
SCHAAL VOOR NAUWKEURIGE VERTICALE HOEKPOSITIE
ÉCHELLE POUR LA POSITION PRÉCISE D'ANGLE VERTICALE
SKALA FÜR IN GRADE GENAUE WINKELPOSITION VERTIKAL
ESCALA PARA LA POSICIÓN EXACTA DEL ÁNGULO VERTICAL
- 5 SCALE FOR ACCURATE HORIZONTAL ANGLE POSITIONING**
SCHAAL VOOR NAUWKEURIGE HORIZONTALA HOEKPOSITIE
ÉCHELLE POUR LA POSITION PRÉCISE D'ANGLE HORIZONTAL
SKALA FÜR IN GRADE GENAUE WINKELPOSITION WAAGERECHT
ESCALA PARA LA POSICIÓN EXACTA DEL ÁNGULO HORIZONTAL
- 6 ROTARY TABLE -45° / +45°**
DRAAIBARE TAFEL / TABLE ROTATIVE
DREHTISCH / MESA ROTATIVA
- 7 DUST BAG**
STOFZAK / SAC À POUSSIÈRE
STAUBSACK / BOLSA DE POLVO



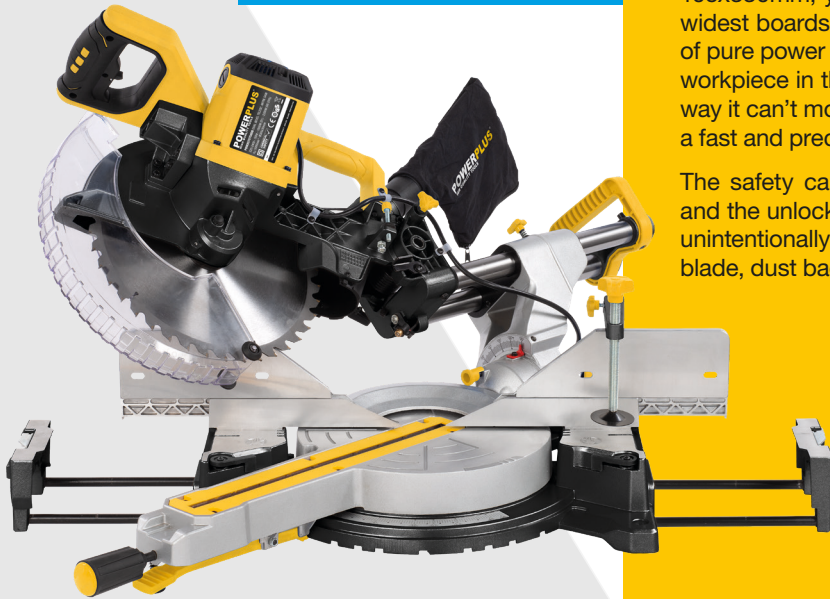
8 MAXIMUM CUTTING CAPACITY
MAXIMALE SNIJ/ZAAGCAPACITEIT // CAPACITÉ DE COUPE MAXIMALE
MAX. SCHNEIDLEISTUNG // CAPACIDAD MÁXIMA DE CORTE



POWERPLUS
HIGH QUALITY TOOLS



DUAL BEVEL



POWX075750DB

TELESCOPIC MITRE SAW 2200W

Do you want to crosscut baseboards and wide panels yourself? Then this telescopic Powerplus mitre saw is your go-to powertool. You can tilt it 45° to the left and right and therefore you can crosscut precisely without having to rearrange your workpiece every time.

With the Ø 305mm saw blade and a sawing capacity of 105x330mm, you are able to work with even the longest and widest boards. The powerful crosscut saw offers you 2200W of pure power and up to 5000 rotations per minute. Rivet your workpiece in the clamp and let it follow the built-in laser. This way it can't move while you are sawing and you easily achieve a fast and precise result.

The safety cap protects your hands while you are working and the unlock button prevents the powertool from operating unintentionally. The Powerplus mitre saw comes with a saw blade, dust bag, wrench, clamp and two extension pieces.

TECHNICAL SPECIFICATIONS POWX075750DB		Features	Box content	Symbols
Rated voltage - frequency	220-240V~ 50Hz	<ul style="list-style-type: none"> • Dual bevel • Telescopic • High precision laser • Safety guard • Dust outlet • Soft grip • Aluminium base 	1x dual bevel telescopic mitre saw	
Rated power	2200W		1x dust bag	
Rotation speed	5000min ⁻¹		1x clamp / 1x wrench	
Max. cutting capacity	105x330mm		1x saw blade 40T	
Blade dimensions	Ø305x30x3.0mm - 40T		2x extension bar	
Cable length	2m		1x manual	

KREATOR

KREATOR ACCESSORIES COMPATIBLE WITH POWX075750DB

SAW BLADE	SAW BLADE	SAW BLADE	ROLLER SUPPORT STAND	SUPPORT STAND	
KRT020430 WOOD - 60T	KRT020431 WOOD - 100T	KRT020506 MULTI - 100T	POWX0700T	POWX075100	

VARO

VARO - VIC. VAN ROMPUY nv - DIY & GARDEN TOOLS
JOSEPH VAN INSTRAAAT 9 - B-2500 LIER - BELGIUM
TEL +32 (0)3 292.92.92 | FAX +32 (0)3 292.92.72
INFO@VARO.COM | WWW.VARO.COM

Box (piece)



Our +50 years of experience guarantee a professional and high quality service.